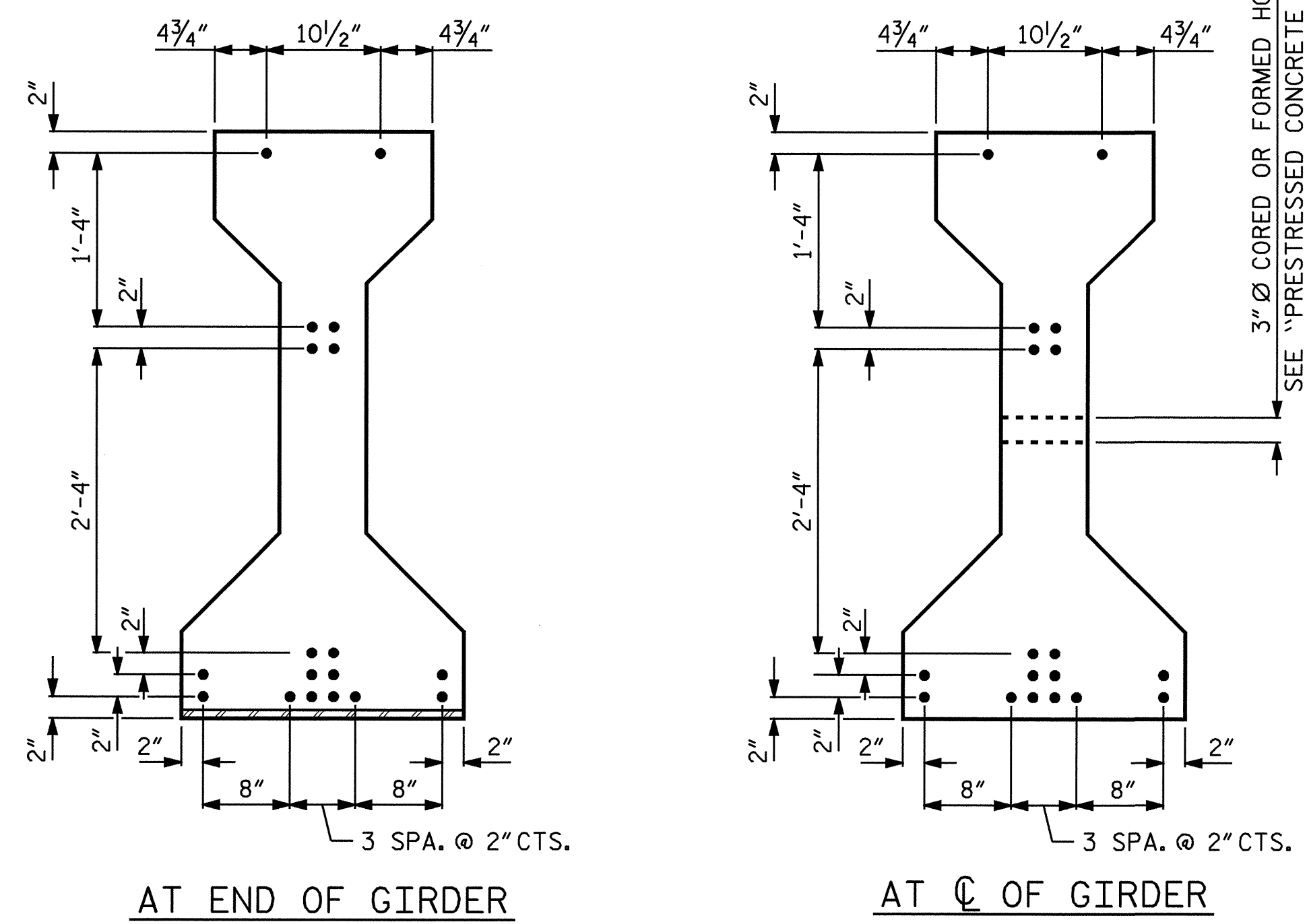
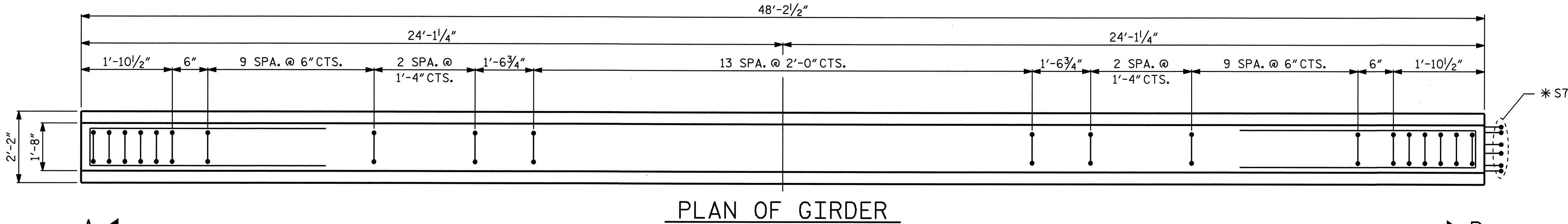


* FOR S7 BARS, SEE
DETAIL "A" OF "PRESTRESSED
CONCRETE GIRDER CONTINUOUS
FOR LIVE LOAD DETAILS" SHEET

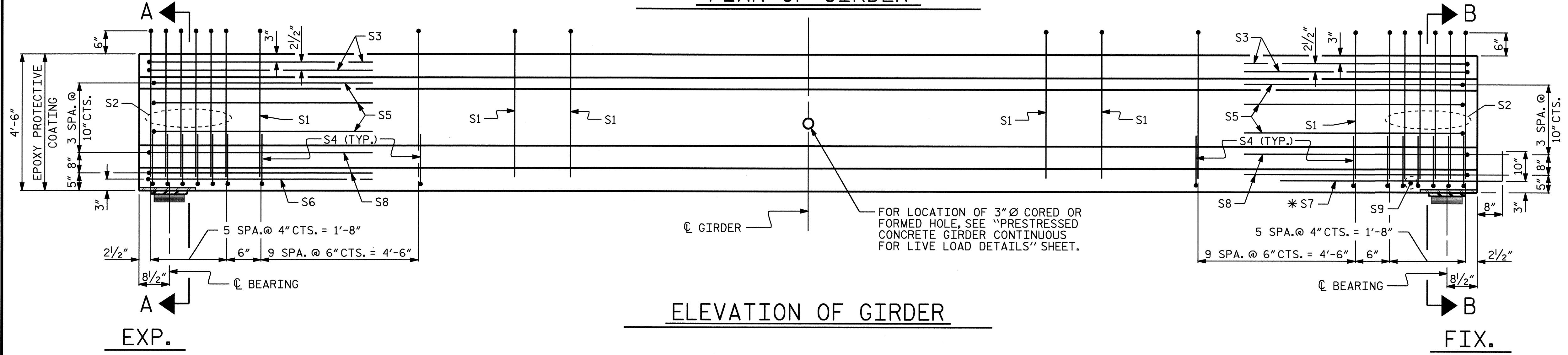


1/2" Ø LOW RELAXATION STRAND LAYOUT

3" Ø CORED OR FORMED HOLE
SEE "PRESTRESSED CONCRETE GIRDER
CONTINUOUS FOR LIVE LOAD
DETAILS" SHEET FOR LOCATION



PLAN OF GIRDER



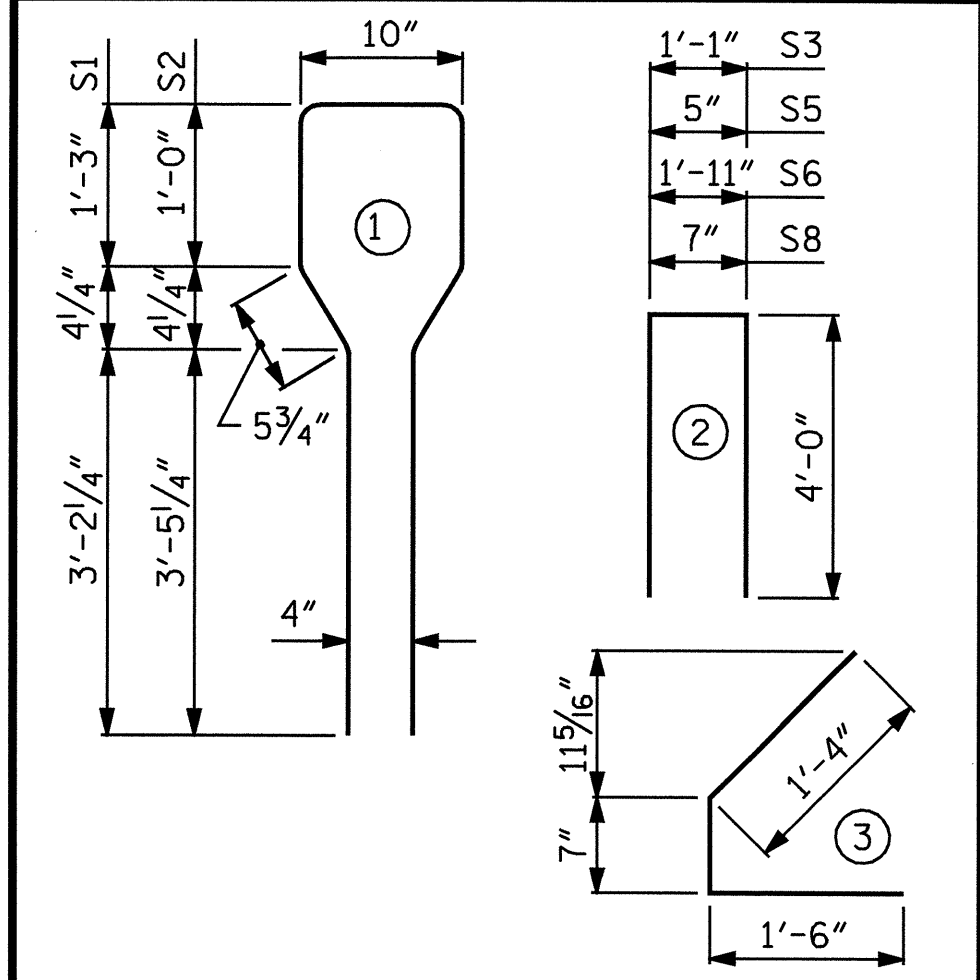
ELEVATION OF GIRDER

1/2" Ø L.R. GRADE 270 STRANDS		
AREA (SQUARE INCHES)	ULTIMATE STRENGTH (LBS. PER STRAND)	APPLIED (LBS. PER STRAND)
0.153	41,300	30,980

REINFORCING STEEL FOR ONE GIRDER					
BAR	NUMBER	SIZE	TYPE	LENGTH	WEIGHT
S1	38	#4	1	10'-8"	271
S2	12	#6	1	10'-8"	192
S3	4	#4	2	9'-1"	24
S4	64	#4	3	3'-5"	146
S5	6	#4	2	8'-5"	34
S6	1	#4	2	9'-11"	7
* S7	6	#5	STR	3'-8"	23
S8	4	#4	2	8'-7"	23
S9	1	#3	STR	1'-10"	1

* NOTE: S7 BARS SHALL BE BENT BEFORE SHIPMENT. HEAT BENDING SHALL NOT BE ALLOWED.

BAR TYPES
ALL BAR DIMENSIONS ARE OUT TO OUT

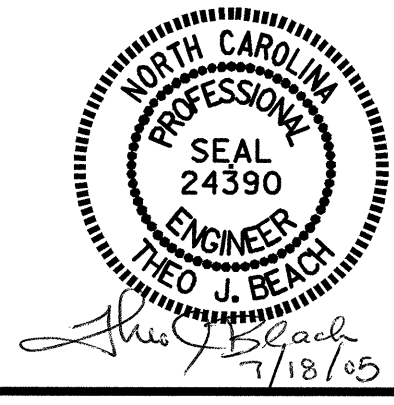


QUANTITIES FOR ONE GIRDER			
FOR ONE GIRDER	REINFORCING STEEL	5000 PSI CONCRETE	1/2" Ø L.R. STRANDS
	LB.	C.Y.	No.
	721	9.8	18

GIRDERS REQUIRED			
SPAN	NUMBER	LENGTH	TOTAL LENGTH
SPAN "A"	4	48'-2 1/2"	192.83
SPAN "C"	4	48'-2 1/2"	192.83

PROJECT NO. B-4044
BURKE COUNTY
STATION: 17+05.00 -L-

STATE OF NORTH CAROLINA
DEPARTMENT OF TRANSPORTATION
RALEIGH
AASHTO TYPE IV
PRESTRESSED CONCRETE GIRDER
CONTINUOUS FOR LIVE LOAD
SPAN "A" AND SPAN "C"



ASSEMBLED BY : P.C. BREWER	DATE : 11/18/04	CADD STANDARD
CHECKED BY : M. BRITT	DATE : 4-20-05	
DRAWN BY : RB 2/97	REV. 10/99	MAB/LES
CHECKED BY : VP 2/97		

REVISIONS						SHEET NO. S-10
NO.	BY:	DATE:	NO.	BY:	DATE:	
1			3			TOTAL SHEETS 35
2			4			