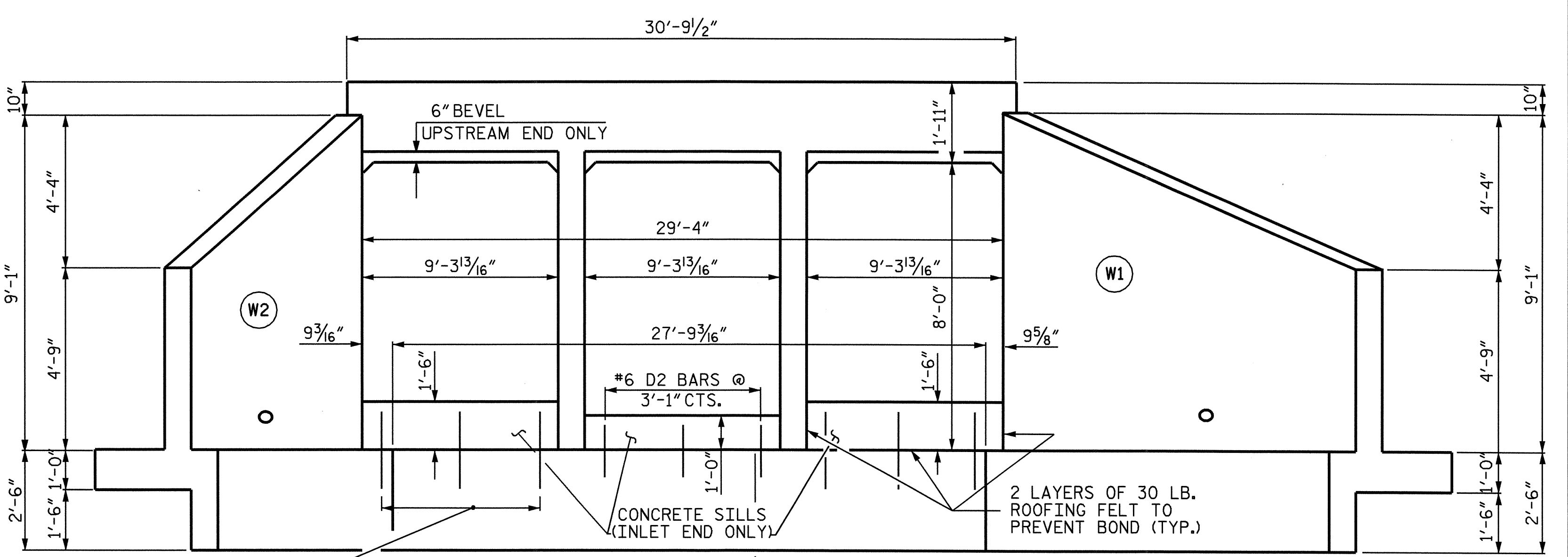
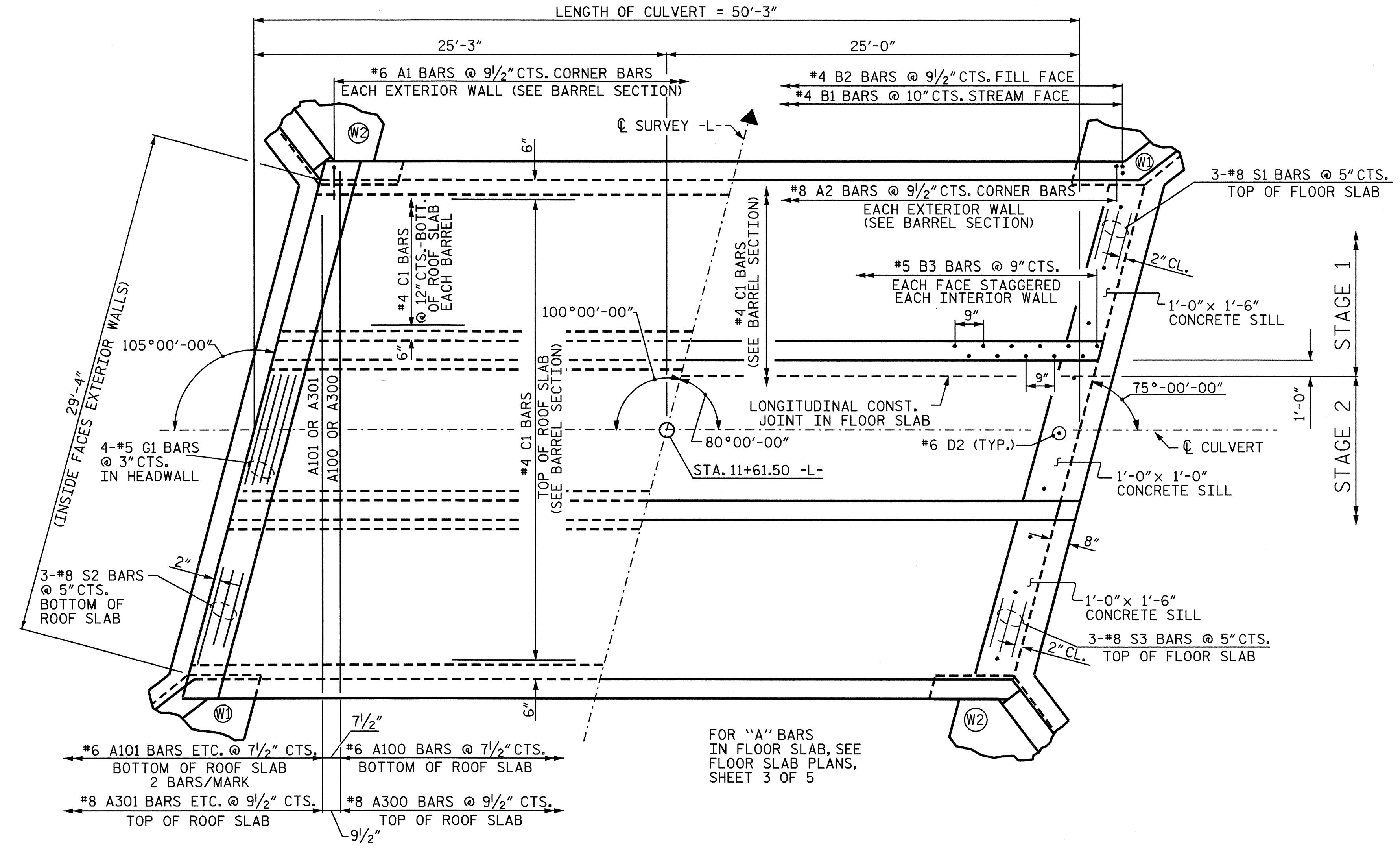


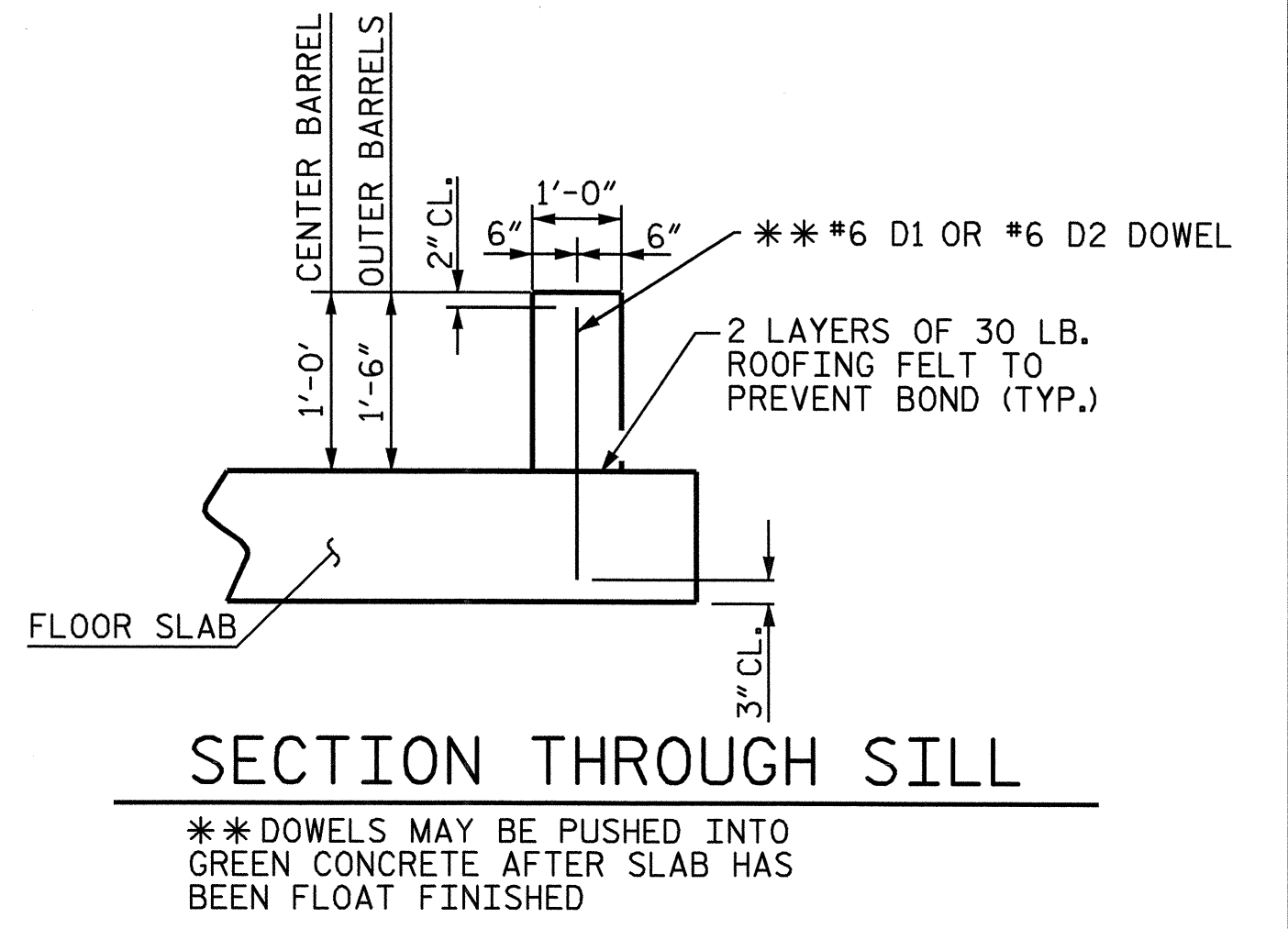
EXTERIOR WALL
INTERIOR WALL
CULVERT SECTION NORMAL TO ROADWAY



INLET END ELEVATION NORMAL TO SKEW
 (OUTLET END SIMILAR EXCEPT FOR SILLS)



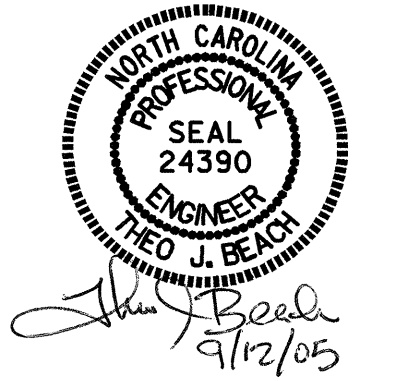
PART PLAN - ROOF SLAB **PART PLAN - FLOOR SLAB**



SECTION THROUGH SILL
 ** DOWELS MAY BE PUSHED INTO GREEN CONCRETE AFTER SLAB HAS BEEN FLOAT FINISHED

PROJECT NO. B-4040
BURKE COUNTY
 STATION: 11+61.50 -L-
 SHEET 2 OF 5

STATE OF NORTH CAROLINA
 DEPARTMENT OF TRANSPORTATION
 RALEIGH
**TRIPLE 9 FT. X 8 FT.
 CONCRETE BOX CULVERT
 80° SKEW**



REVISED 11-19-99 BY M.M. CHECKED BY R.W.W.
 REVISED 8-28-92 BY E.L.R. / BY G.R.P.
 REDRAWN 10-16-89 BY R.W.W. / BY A.R.B.

ASSEMBLED BY : P.E. LACKEY DATE : 9/04
 CHECKED BY : S.B. WILLIAMS DATE : 9/04
 DRAWN BY : R.F. HOLMES DATE : NOV. 1971
 CHECKED BY : J.A. JOHNSON DATE : NOV. 1971

REVISIONS						SHEET NO.
NO.	BY:	DATE:	NO.	BY:	DATE:	C-2
1			3			TOTAL SHEETS
2			4			5