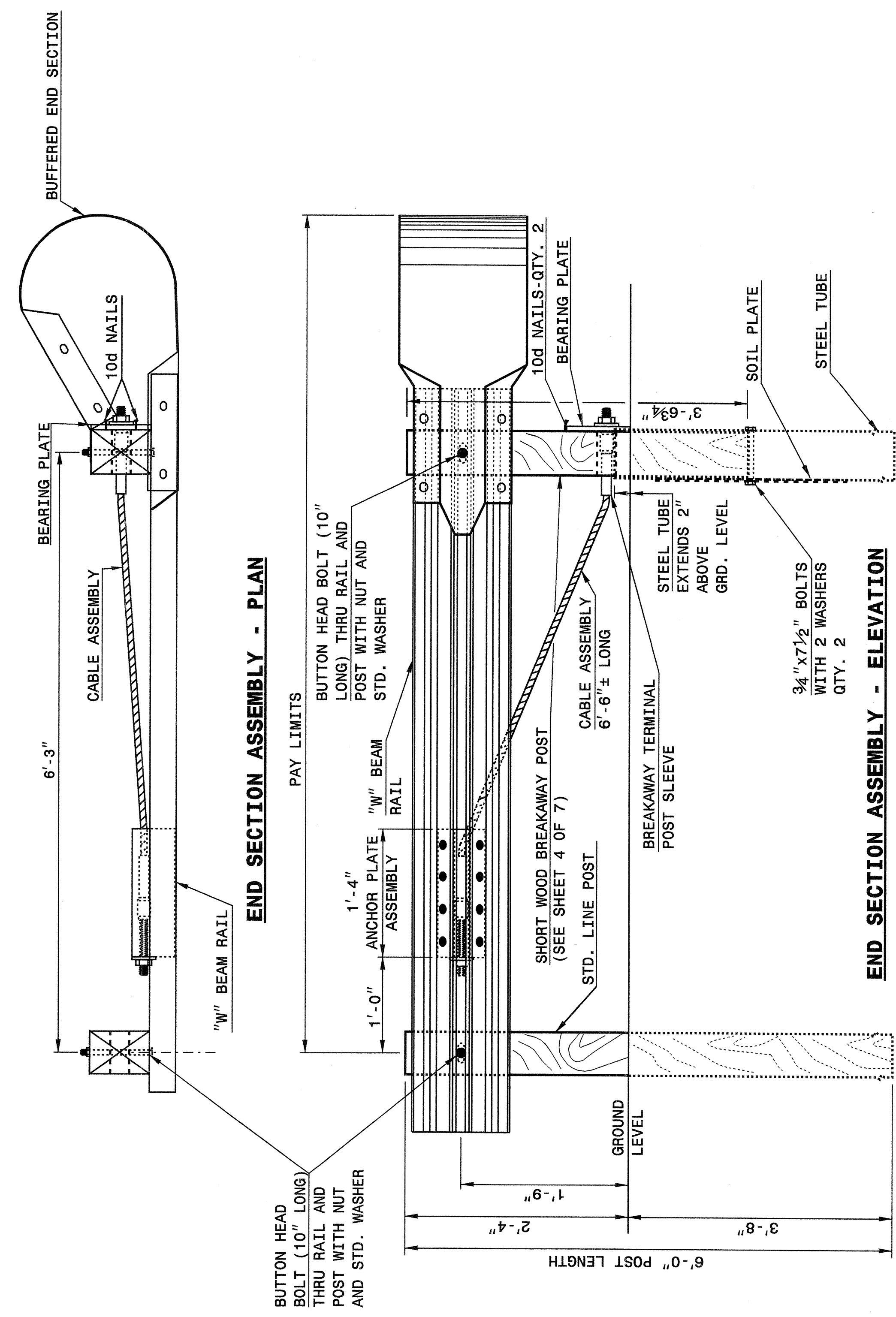


STATE OF NORTH CAROLINA DEPT. OF TRANSPORTATION DIVISION OF HIGHWAYS RALEIGH, N.C.

ENGLISH DETAIL DRAWING FOR GUARDRAIL INSTALLATION

SHEET 1 OF 7
862D02



STATE OF NORTH CAROLINA DEPT. OF TRANSPORTATION DIVISION OF HIGHWAYS RALEIGH, N.C.

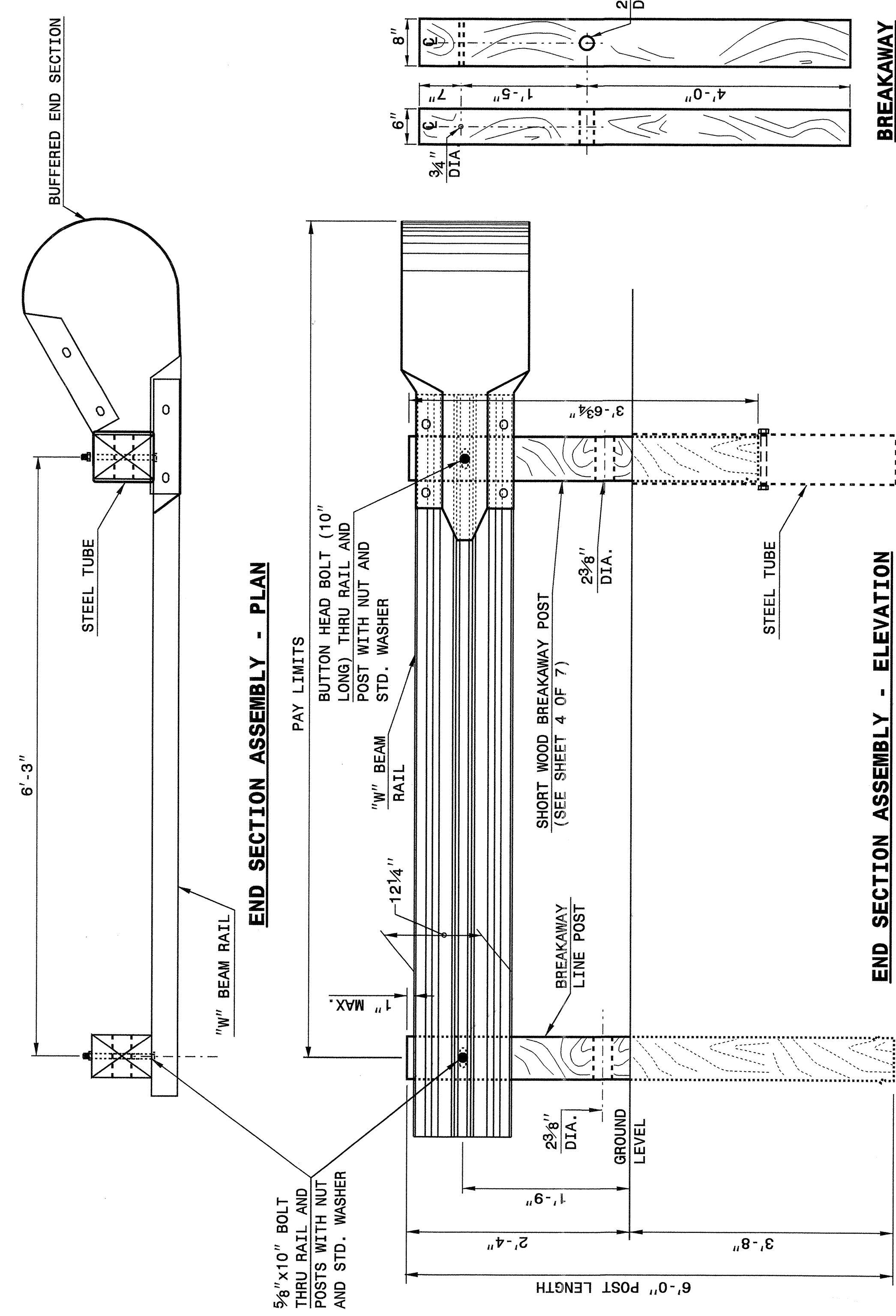
ENGLISH DETAIL DRAWING FOR GUARDRAIL INSTALLATION

SHEET 1 OF 7
862D02

STATE OF NORTH CAROLINA DEPT. OF TRANSPORTATION DIVISION OF HIGHWAYS RALEIGH, N.C.

ENGLISH DETAIL DRAWING FOR GUARDRAIL INSTALLATION

SHEET 2 OF 7
862D02



STATE OF NORTH CAROLINA DEPT. OF TRANSPORTATION DIVISION OF HIGHWAYS RALEIGH, N.C.

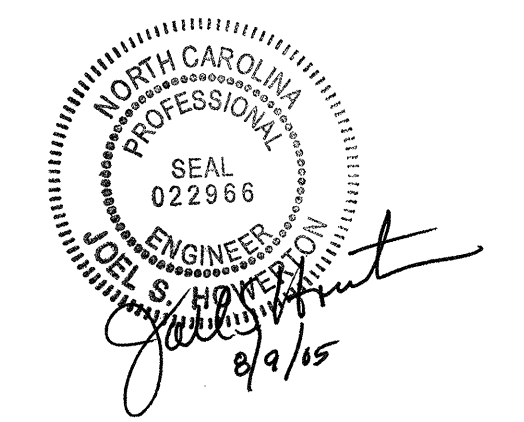
ENGLISH DETAIL DRAWING FOR GUARDRAIL INSTALLATION

SHEET 2 OF 7
862D02

PROJECT SERVICES UNIT
STANDARDS AND SPECIAL DESIGN
Office 919-250-4128 FAX 919-250-4119

SEE PLATE FOR TITLE

ORIGINAL BY: 2002 STD.862.02 DATE: _____
 MODIFIED BY: E.E. WARD DATE: 02-09-03
 CHECKED BY: *[Signature]* DATE: 7/21/04
 FILE SPEC.: I:\s7\stds\02todetail\english\86202\862d02.dgn



19-OCT-2004 11:38
 M:\Special_Details\ward\stds\02_Std to Special_Details\english\86202\0862d02.dgn
 .encwar-j AT DS212260