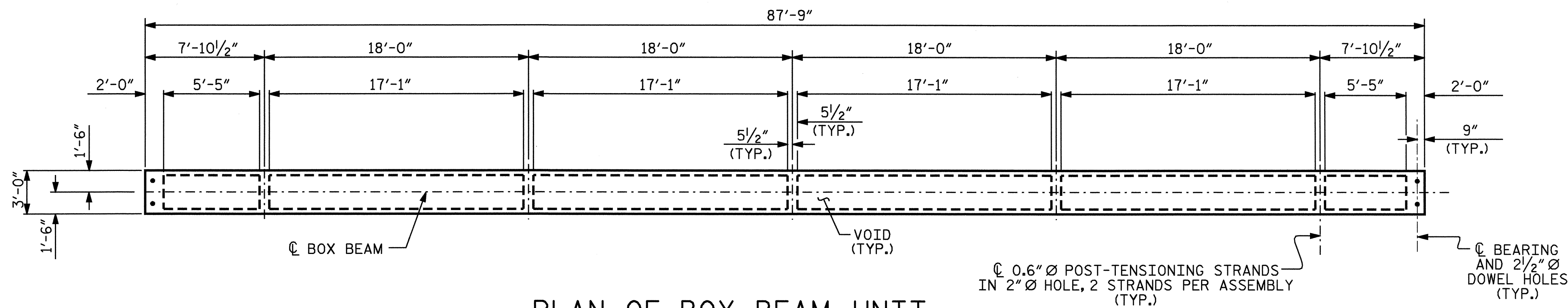


PLAN OF SPAN A



PLAN OF BOX BEAM UNIT

FOR REINFORCING STEEL, SEE PLAN OF BOX BEAM, SHEET 3 OF 5.

PROJECT NO. B-3857  
HENDERSON COUNTY  
 STATION: 16+59.00-L-

SHEET 2 OF 5

STATE OF NORTH CAROLINA  
 DEPARTMENT OF TRANSPORTATION  
 RALEIGH

PLAN OF SPAN A



DRAWN BY: V. X. NGUYEN/L.L.M. DATE: 07-05  
 CHECKED BY: D. HODGE DATE: 07-05

29-JUL-2005 14:36  
 R:\STRUCT\B3857\nguyen\MICROS\B3857\_01.DGN  
 dahodge

REVISIONS						SHEET NO.	
NO.	BY:	DATE:	NO.	BY:	DATE:	S-5	
1			3			TOTAL SHEETS	
2			4			20	