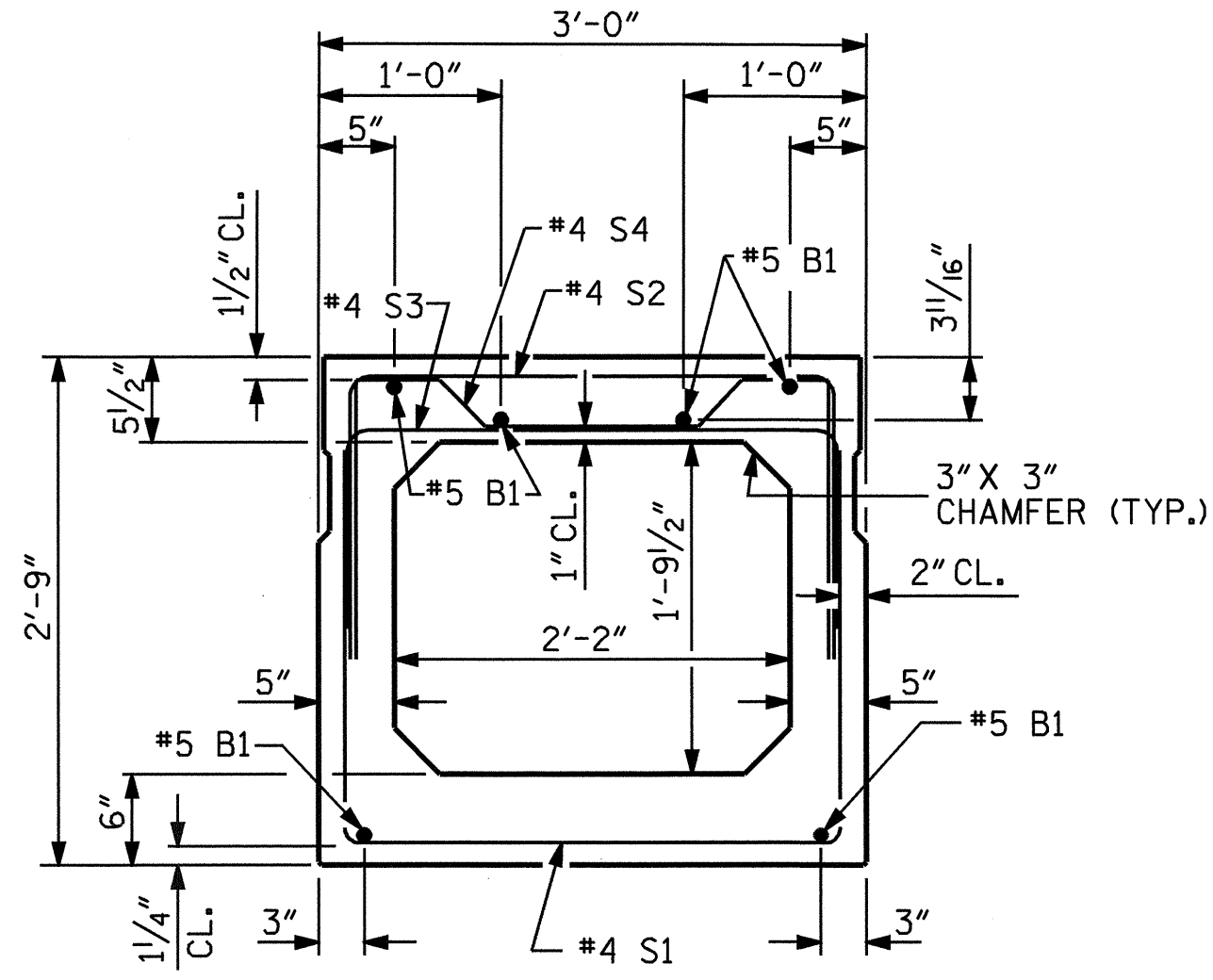


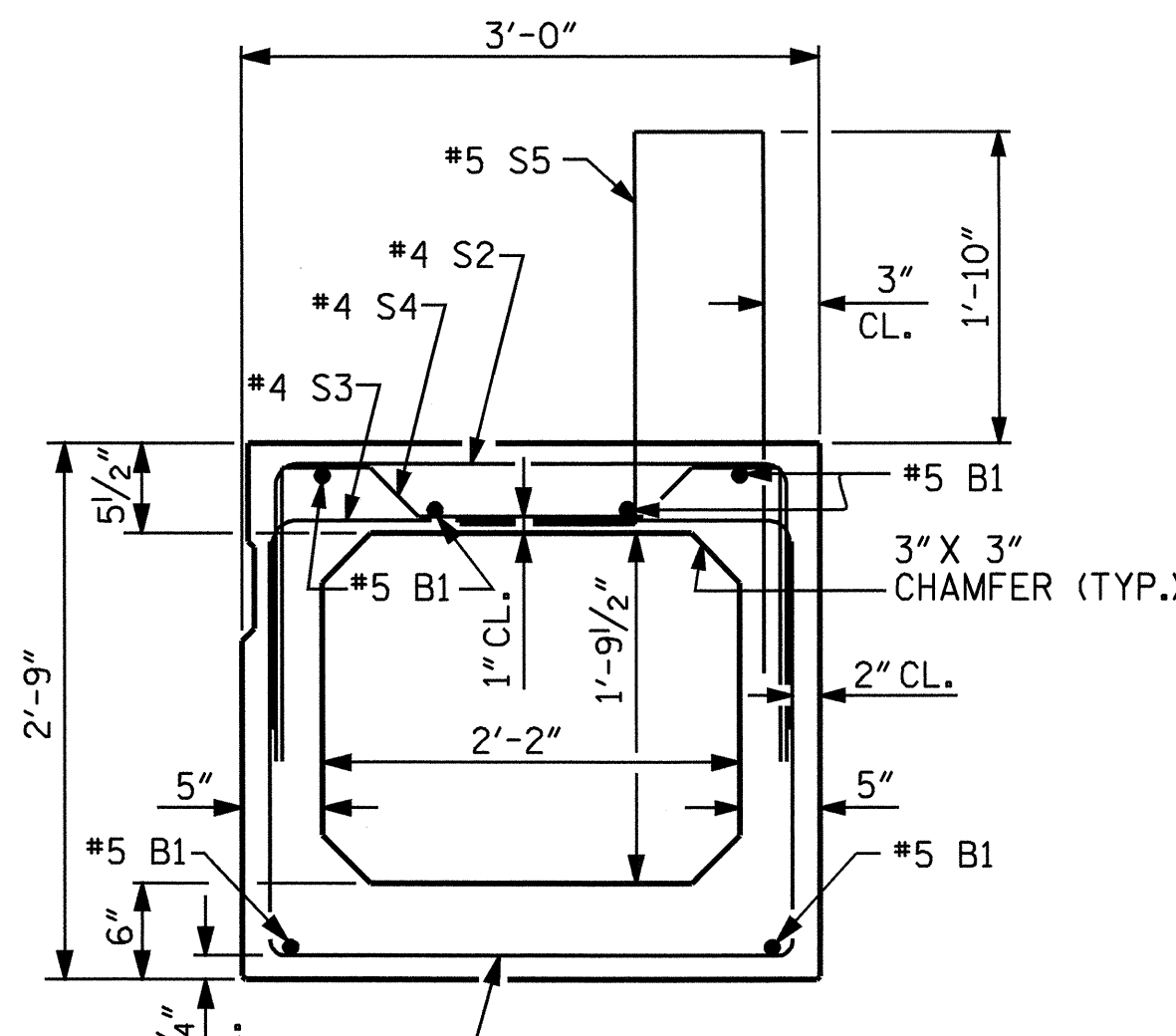
END ELEVATION

SHOWING PLACEMENT OF #5 & #4 "A" BARS AND LOCATION OF DOWEL HOLES. (INTERIOR BOX BEAM SECTION SHOWN-EXTERIOR SECTION SIMILAR EXCEPT SHEAR KEY LOCATION. STRAND LAYOUT NOT SHOWN.)



INTERIOR BOX BEAM SECTION

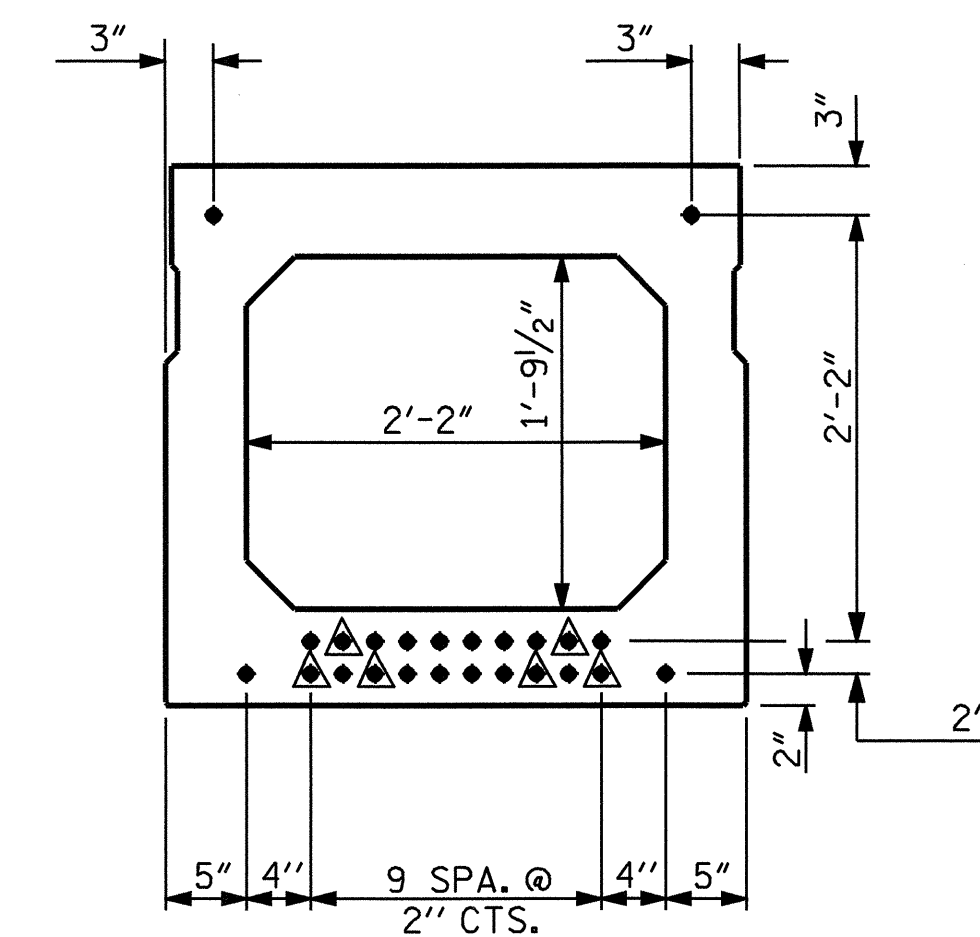
(STRAND LAYOUT NOT SHOWN)



EXTERIOR BOX BEAM SECTION

(STRAND LAYOUT NOT SHOWN)

0.6" Ø LOW RELAXATION STRAND LAYOUT



TYPICAL STRAND LOCATION

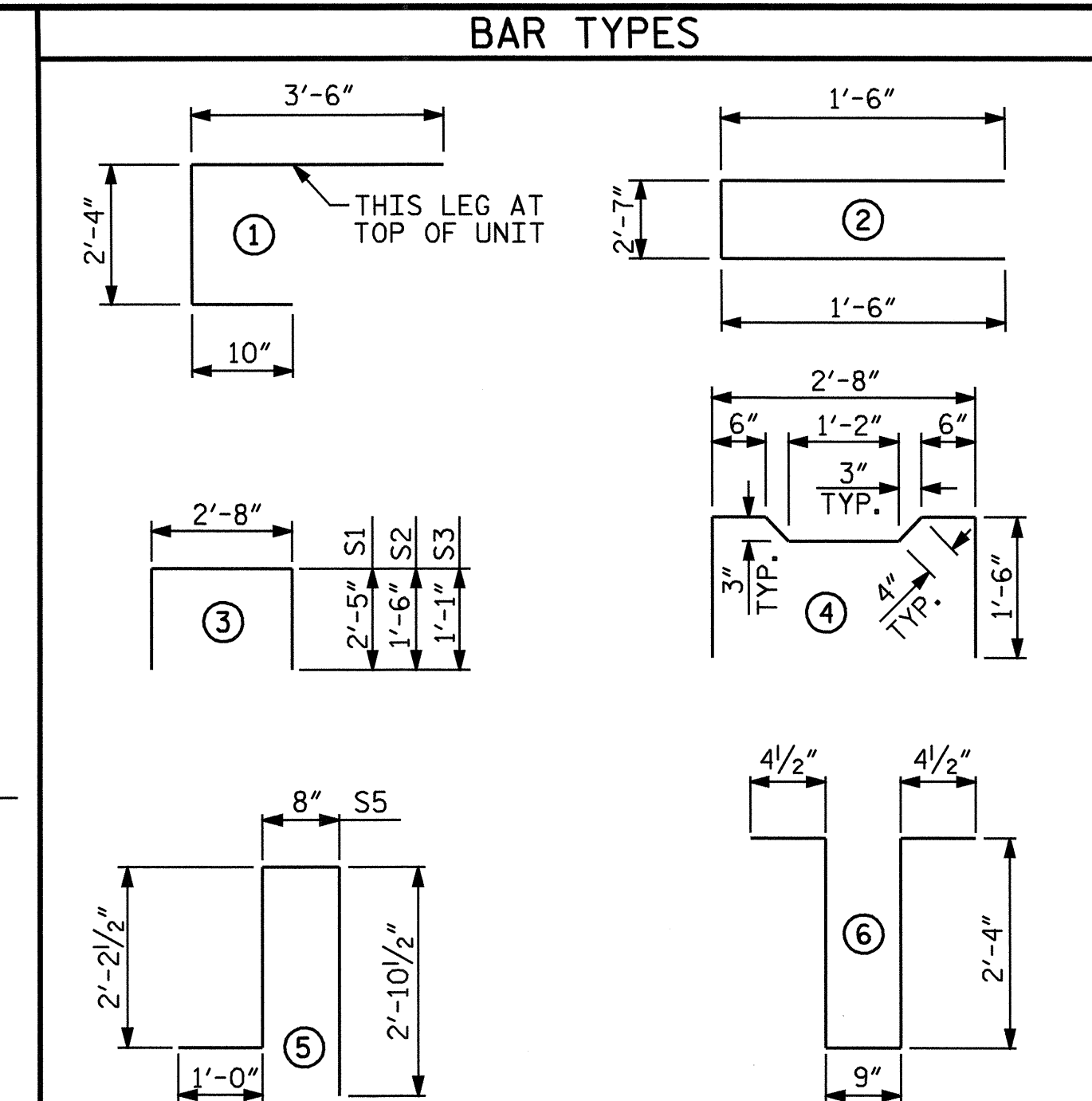
(24 STRANDS REQUIRED)

(INTERIOR BOX BEAM SECTION SHOWN-EXTERIOR SECTION SIMILAR EXCEPT SHEAR KEY LOCATION)

DEBONDING LEGEND

- FULLY BONDED STRANDS
- ▲ STRANDS DEBONDED FOR 4'-0" FROM END OF GIRDER

GRADE 270 STRANDS	
0.6" Ø L.R.	
AREA (SQUARE INCHES)	0.217
ULTIMATE STRENGTH (LBS. PER STRAND)	58,600
APPLIED PRESTRESS (LBS. PER STRAND)	43,950

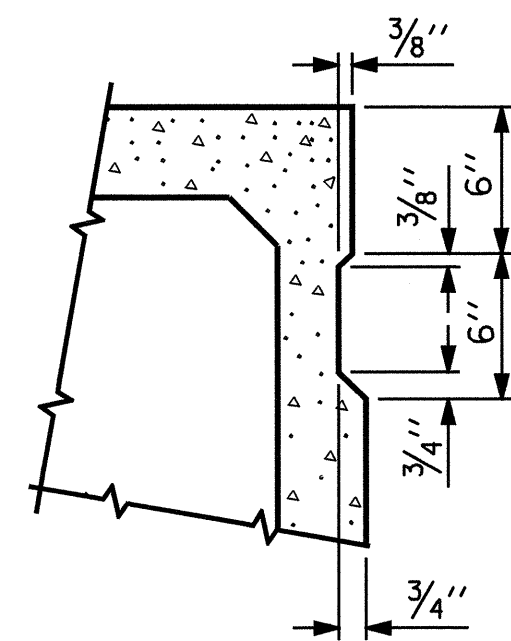


ALL BAR DIMENSIONS ARE OUT TO OUT

BILL OF MATERIAL FOR ONE BOX BEAM SECTION

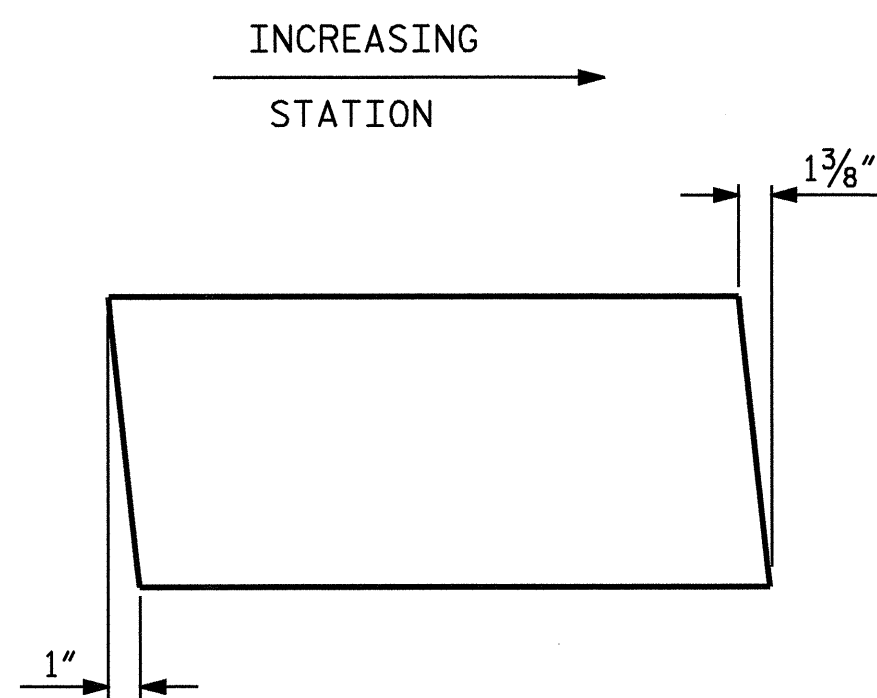
BAR	NUMBER	SIZE	TYPE	EXTERIOR UNIT		INTERIOR UNIT	
				LENGTH	WEIGHT	LENGTH	WEIGHT
A1	10	#5	1	6'-8"	70	6'-8"	70
A2	40	#4	2	5'-7"	149	5'-7"	149
B1	12	#5	STR	44'-11"	562	44'-11"	562
K1	15	#4	6	6'-2"	62	6'-2"	62
K2	10	#4	STR	2'-8"	18	2'-8"	18
S1	70	#4	3	7'-6"	351	7'-6"	351
S2	70	#4	3	5'-8"	265	5'-8"	265
S3	123	#4	3	4'-10"	397	4'-10"	397
S4	53	#4	4	5'-10"	207	5'-10"	207
*S5	115	#5	5	6'-9"	810	--	--
REINFORCING STEEL				2081 LBS.		2081 LBS.	
* EPOXY COATED REINF. STEEL				810 LBS.			
7000 P.S.I. CONCRETE				15.7 CU. YDS.		15.5 CU. YDS.	
0.6" Ø L.R. STRANDS				No. 24		No. 24	

* THESE BARS ARE EPOXY COATED

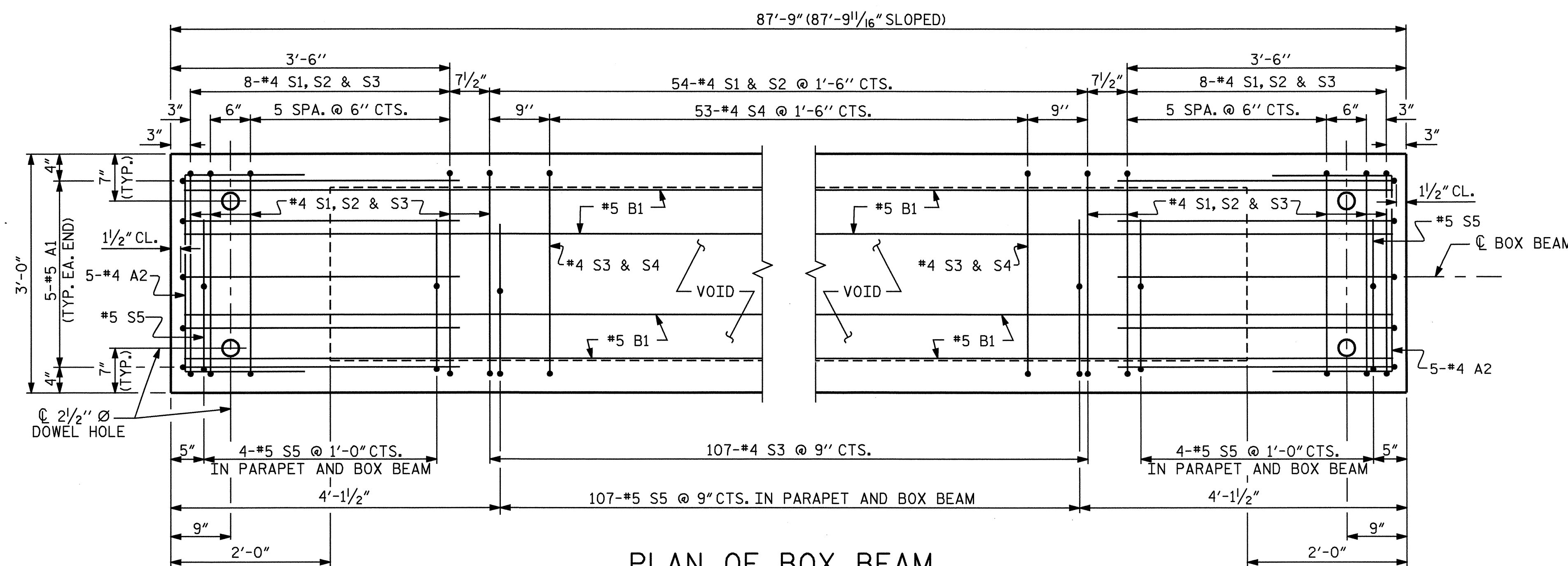


SHEAR KEY DETAIL

NOTE: OMIT SHEAR KEY ON OUTSIDE FACE OF EXTERIOR BOX BEAMS.



BEVEL AT END OF BOX BEAM



PLAN OF BOX BEAM

EXTERIOR UNIT SHOWN, INTERIOR UNIT SIMILAR EXCEPT OMIT #5 S5 BARS. FOR LOCATION OF DIAPHRAGMS, SEE PLAN OF SPANS. FOR REINFORCING STEEL IN DIAPHRAGMS, SEE DIAPHRAGM DETAILS.

PROJECT NO. B-3857
 HENDERSON COUNTY
 STATION: 16+59.00 -L-

SHEET 3 OF 5

STATE OF NORTH CAROLINA
 DEPARTMENT OF TRANSPORTATION
 RALEIGH
 STANDARD
 3'-0" X 2'-9"
 PRESTRESSED CONCRETE
 BOX BEAM UNIT
 SPAN "A"



REVISIONS						SHEET NO.
NO.	BY:	DATE:	NO.	BY:	DATE:	S-6
1			3			TOTAL SHEETS 20
2			4			

ASSEMBLED BY : L.L. MURPHY	DATE : 07-05
CHECKED BY : D. HODGE	DATE : 07-05
DRAWN BY : TLA 3/05	ADDED
CHECKED BY :	