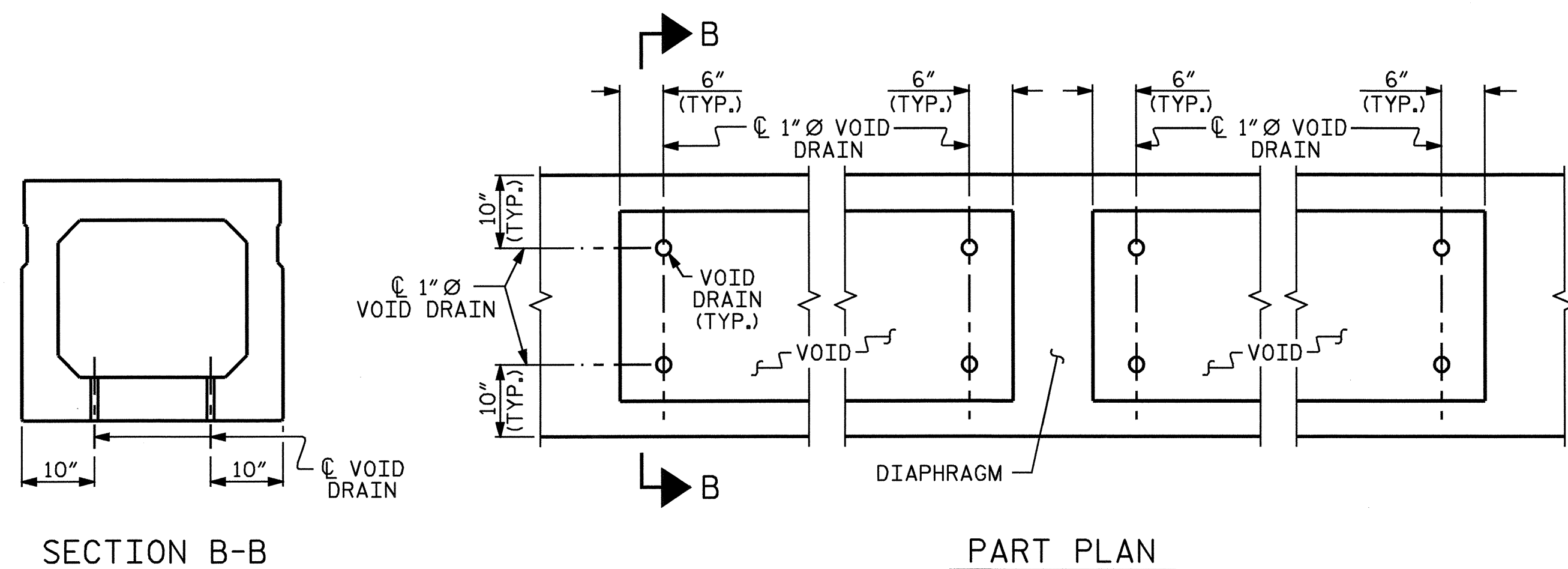


DOUBLE DIAPHRAGM DETAILS FOR 33" BOX BEAM

*4 "S" BARS NOT SHOWN. #4 "S" BARS MAY BE SHIFTED SLIGHTLY TO CLEAR 2" Ø HOLE.

GROUTED RECESS DETAIL AT END OF POST-TENSIONED STRANDS OF EXTERIOR 33" BOX BEAM



VOID DRAIN DETAILS

(DIMENSIONS SHOWN ARE TYPICAL FOR EACH VOID)

DEAD LOAD DEFLECTION AND CAMBER	
	3'-0" x 2'-9"
	0.6" Ø L.R. STRAND
	SPAN "A"
CAMBER (BEAM ALONE IN PLACE)	3 9/16" ↑
DEFLECTION DUE TO ASPHALT WEARING SURFACE	5/8" ↓
FINAL CAMBER	2 5/16" ↑

PROJECT NO. B-3857
HENDERSON COUNTY
 STATION: 16+59.00 -L-

SHEET 4 OF 5

STATE OF NORTH CAROLINA
 DEPARTMENT OF TRANSPORTATION
 RALEIGH

STANDARD
 3'-0" X 2'-9"
 PRESTRESSED CONCRETE
 BOX BEAM UNIT



REVISIONS						SHEET NO.
NO.	BY:	DATE:	NO.	BY:	DATE:	S-7
1			3			TOTAL SHEETS
2			4			20

ASSEMBLED BY :	L.L. MURPHY	DATE :	07-05
CHECKED BY :	D. HODGE	DATE :	07-05
DRAWN BY :	TLA 3/05	ADDED	
CHECKED BY :			

19-AUG-2005 09:23
 M:\STRUCT\2\3857\vnnguyen\MICROS\B3857.DGN
 lmurphy