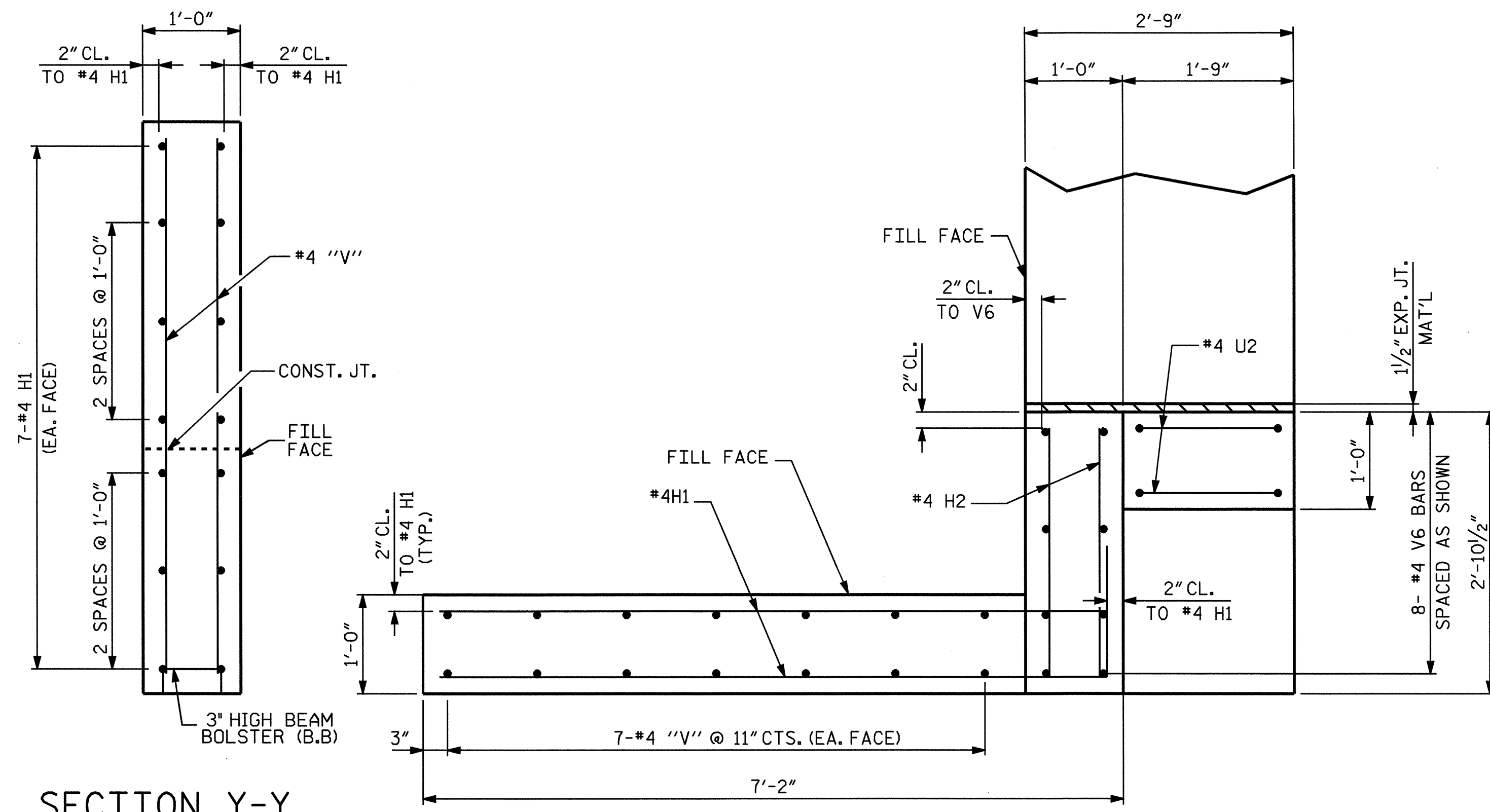
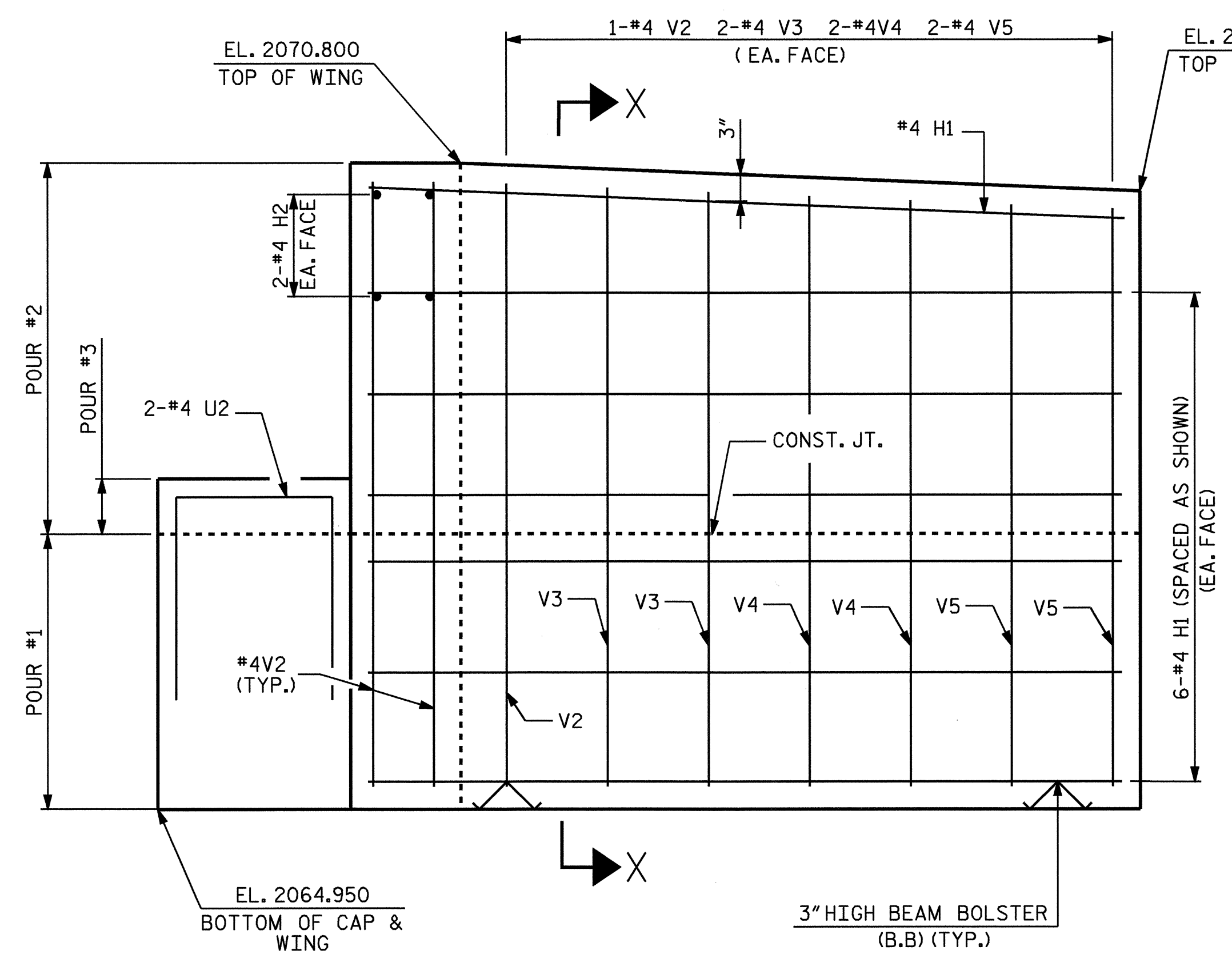


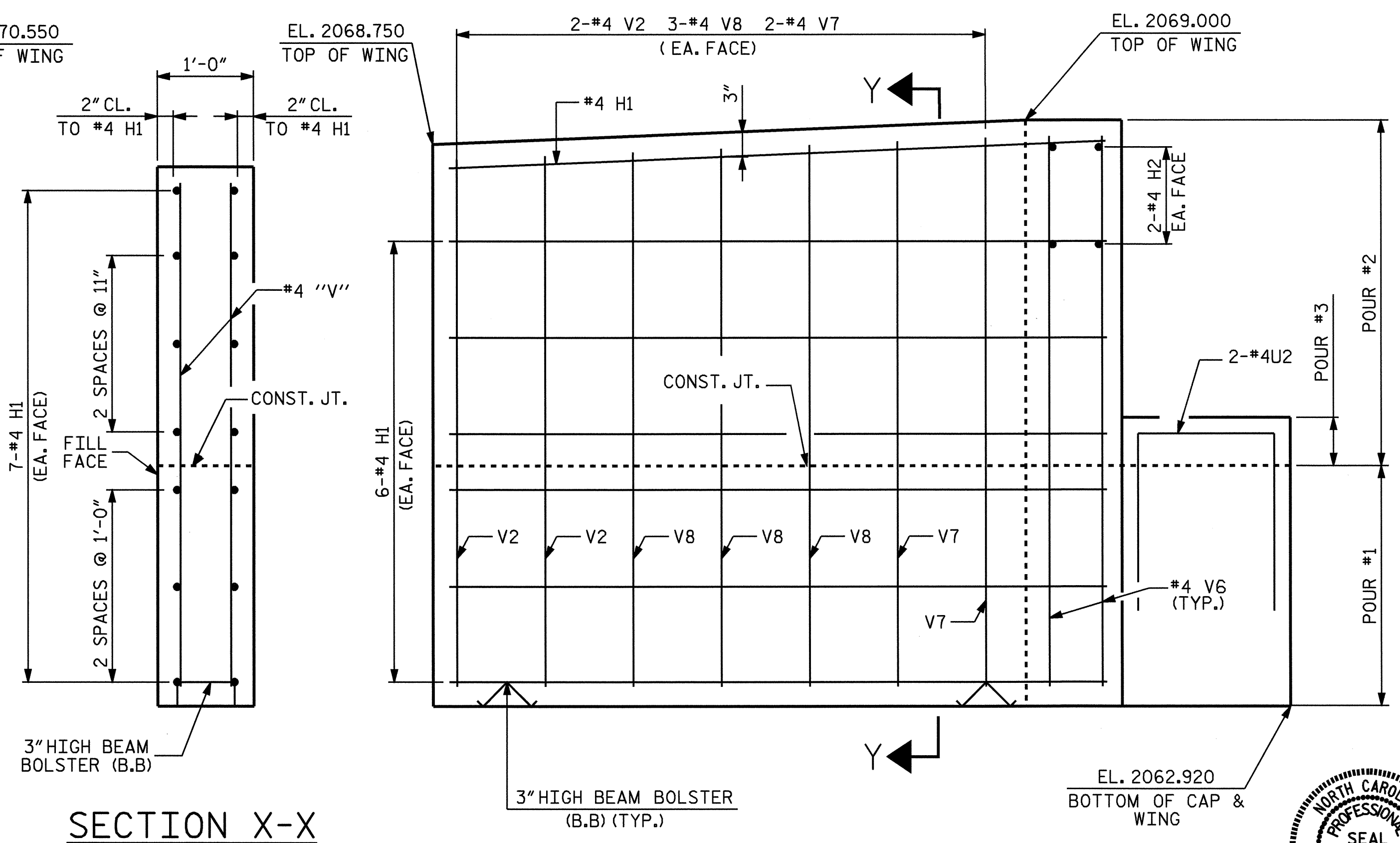
PLAN OF LEFT WING (W1)



PLAN OF RIGHT WING (W2)



ELEVATION OF LEFT WING (W1)



ELEVATION OF RIGHT WING (W2)

DRAWN BY: A. SORSENGINH DATE: 4-29-05
 CHECKED BY: L.L. MURPHY DATE: 07-05

19-AUG-2005 10:05
 R:\STRUCT\B3857\ASORSE\B3857_02.DGN
 asor@senah



PROJECT NO. B-3857
 HENDERSON COUNTY
 STATION: 16+59.00 -L-
 SHEET 2 OF 3

STATE OF NORTH CAROLINA DEPARTMENT OF TRANSPORTATION RALEIGH					
SUBSTRUCTURE END BENT NO. 1					
REVISIONS					
NO.	BY:	DATE:	NO.	BY:	DATE:
1			3		
2			4		
					SHEET NO. S-13
					TOTAL SHEETS 20