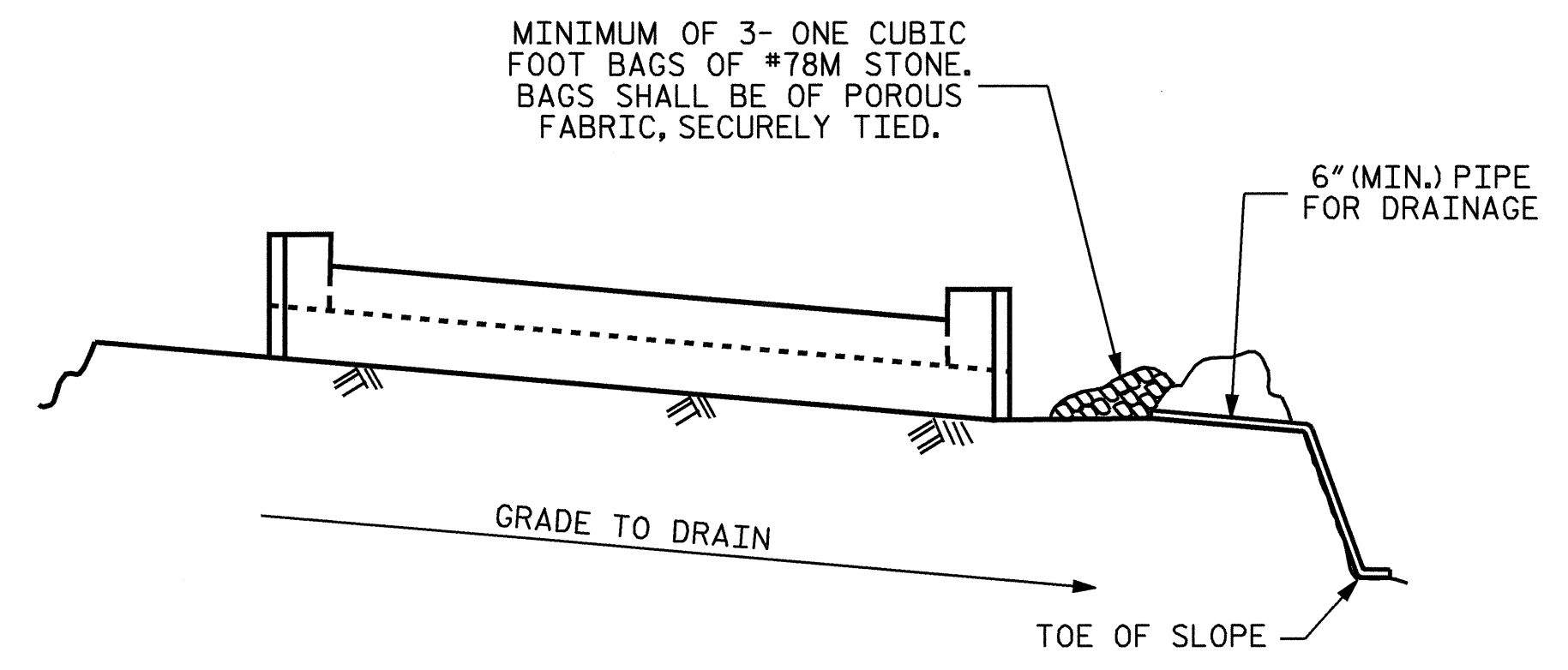


SECTION A-A



MINIMUM OF 3- ONE CUBIC FOOT BAGS OF #78M STONE. BAGS SHALL BE OF POROUS FABRIC, SECURELY TIED.

6\"/>

GRADE TO DRAIN

TOE OF SLOPE

BAGGED STONE AND PIPE SHALL BE PLACED IMMEDIATELY AFTER COMPLETION OF END BENT EXCAVATION. PIPE MAY BE EITHER CONCRETE, CORRUGATED STEEL, CORRUGATED ALUMINUM ALLOY, OR CORRUGATED PLASTIC. PERFORATED PIPE WILL NOT BE ALLOWED.

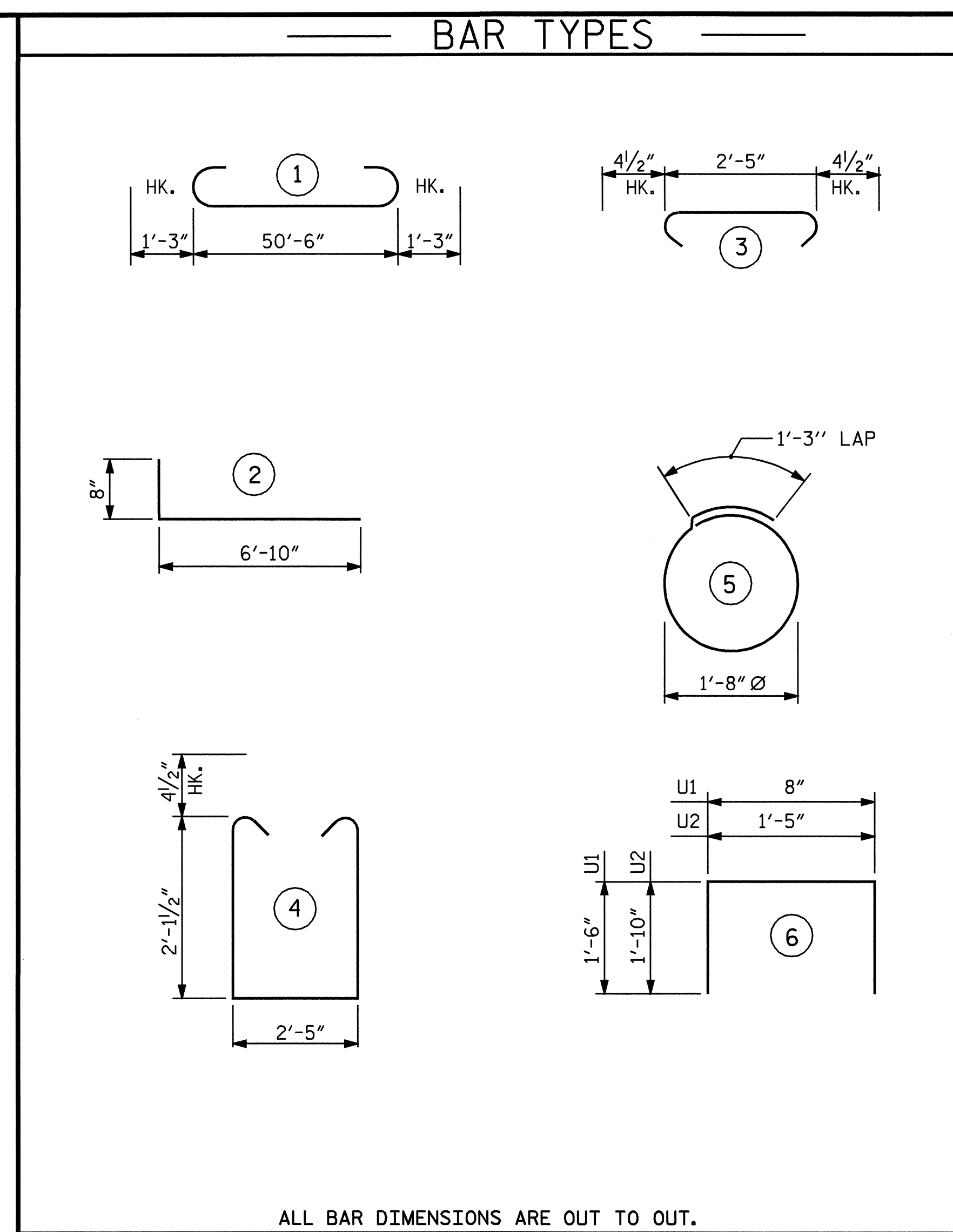
BAGGED STONE SHALL REMAIN IN PLACE UNTIL THE ENGINEER DIRECTS THAT IT BE REMOVED. THE CONTRACTOR SHALL REMOVE AND DISPOSE OF SILT ACCUMULATIONS AT BAGGED STONE WHEN SO DIRECTED BY THE ENGINEER. BAGS SHALL BE REMOVED AND REPLACED WHENEVER THE ENGINEER DETERMINES THAT THEY HAVE DETERIORATED AND LOST THEIR EFFECTIVENESS.

NO SEPARATE PAYMENT WILL BE MADE FOR THIS WORK AND THE ENTIRE COST OF THIS WORK SHALL BE INCLUDED IN THE UNIT CONTRACT PRICE BID FOR THE SEVERAL PAY ITEMS.

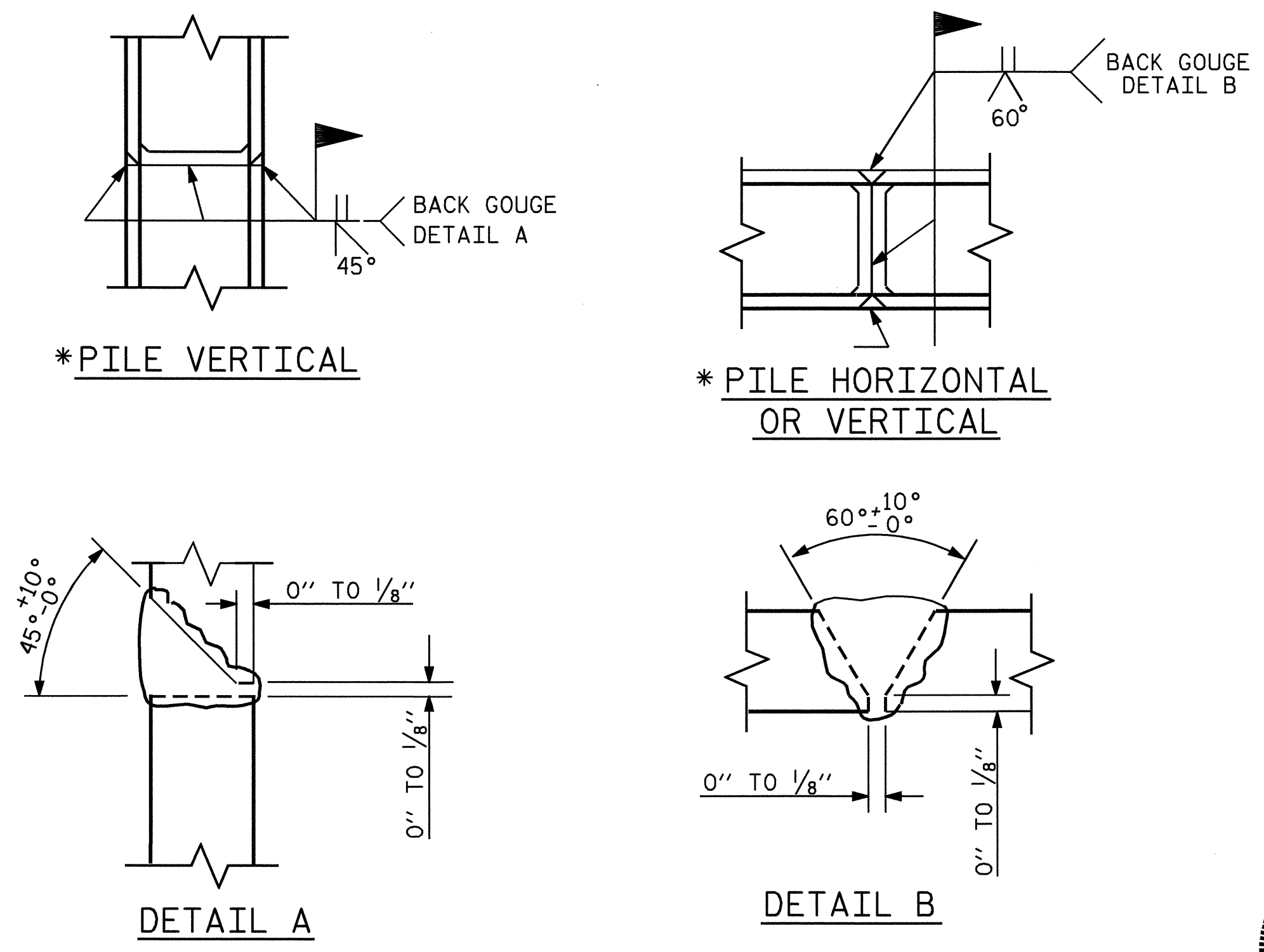
TEMPORARY DRAINAGE AT END BENT

DRAWN BY : A. SORSENGINH DATE : 5-02-05
 CHECKED BY : L.L. MURPHY DATE : 07-05

19-AUG-2005 10:06
 R:\STRUCTURE\B3857\ASORSE\B3857.02.DGN
 csorse\alnh



ALL BAR DIMENSIONS ARE OUT TO OUT.



PILE SPLICE DETAILS

* POSITION OF PILE DURING WELDING.

BILL OF MATERIAL					
END BENT NO. 1					
BAR	NO.	SIZE	TYPE	LENGTH	WEIGHT
B1	8	#9	1	53'-0"	1442
B2	2	#6	STR.	50'-8"	152
B3	8	#4	STR.	26'-7"	142
B4	13	#4	STR.	2'-5"	21
D1	30	#8	STR.	2'-3"	180
H1	28	#4	2	7'-6"	140
H2	8	#4	STR.	2'-6"	13
K1	8	#4	STR.	26'-7"	142
S1	49	#4	3	3'-2"	104
S2	49	#4	4	7'-5"	243
S3	24	#4	5	6'-6"	104
U1	45	#4	6	3'-8"	110
U2	4	#4	6	5'-1"	14
V1	90	#4	STR.	3'-8"	220
V2	14	#4	STR.	5'-6"	51
V3	4	#4	STR.	5'-5"	14
V4	4	#4	STR.	5'-4"	14
V5	4	#4	STR.	5'-3"	14
V6	8	#4	STR.	5'-9"	31
V7	4	#4	STR.	5'-8"	15
V8	6	#4	STR.	5'-7"	22
REINFORCING STEEL					= 3188 LBS
CLASS A CONCRETE BREAKDOWN					
POUR #1 CAP & LOWER PART OF WINGS					
C.Y.					13.8
POUR #2 BACKWALL AND UPPER PART OF WINGS					
C.Y.					4.9
POUR #3 LATERAL GUIDES					
C.Y.					0.1
TOTAL CLASS A CONCRETE					
C.Y.					18.8
HP 12 X 53 STEEL PILES					
NO. 12 LIN. FT.					240

PROJECT NO. B-3857
 HENDERSON COUNTY
 STATION: 16+59.00 -L-

SHEET 3 OF 3

STATE OF NORTH CAROLINA
 DEPARTMENT OF TRANSPORTATION
 RALEIGH

SUBSTRUCTURE
 END BENT NO. 1

REVISIONS				SHEET NO.	
NO.	BY:	DATE:	NO.	BY:	DATE:
1			3		
2			4		

TOTAL SHEETS: 20



NCB06