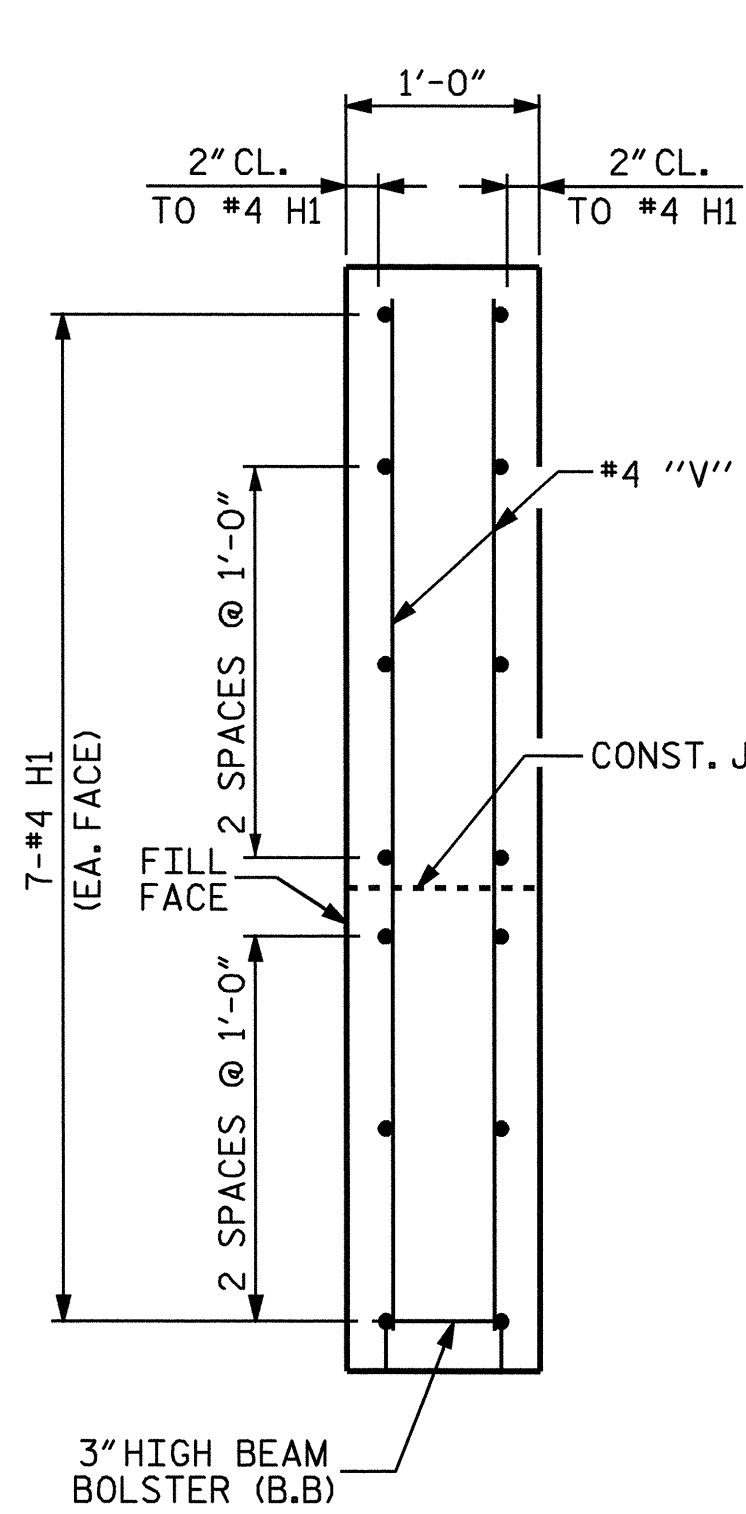
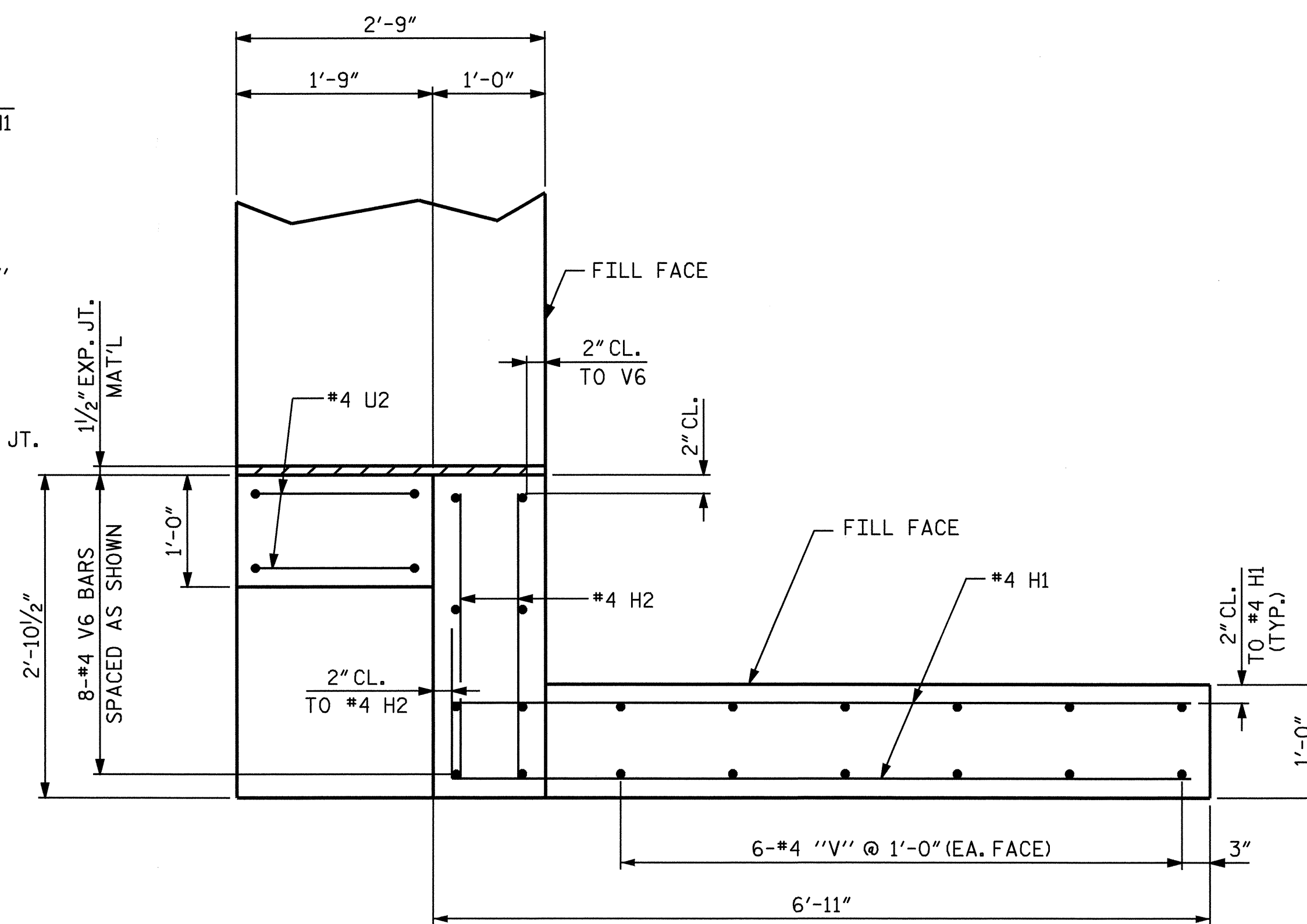


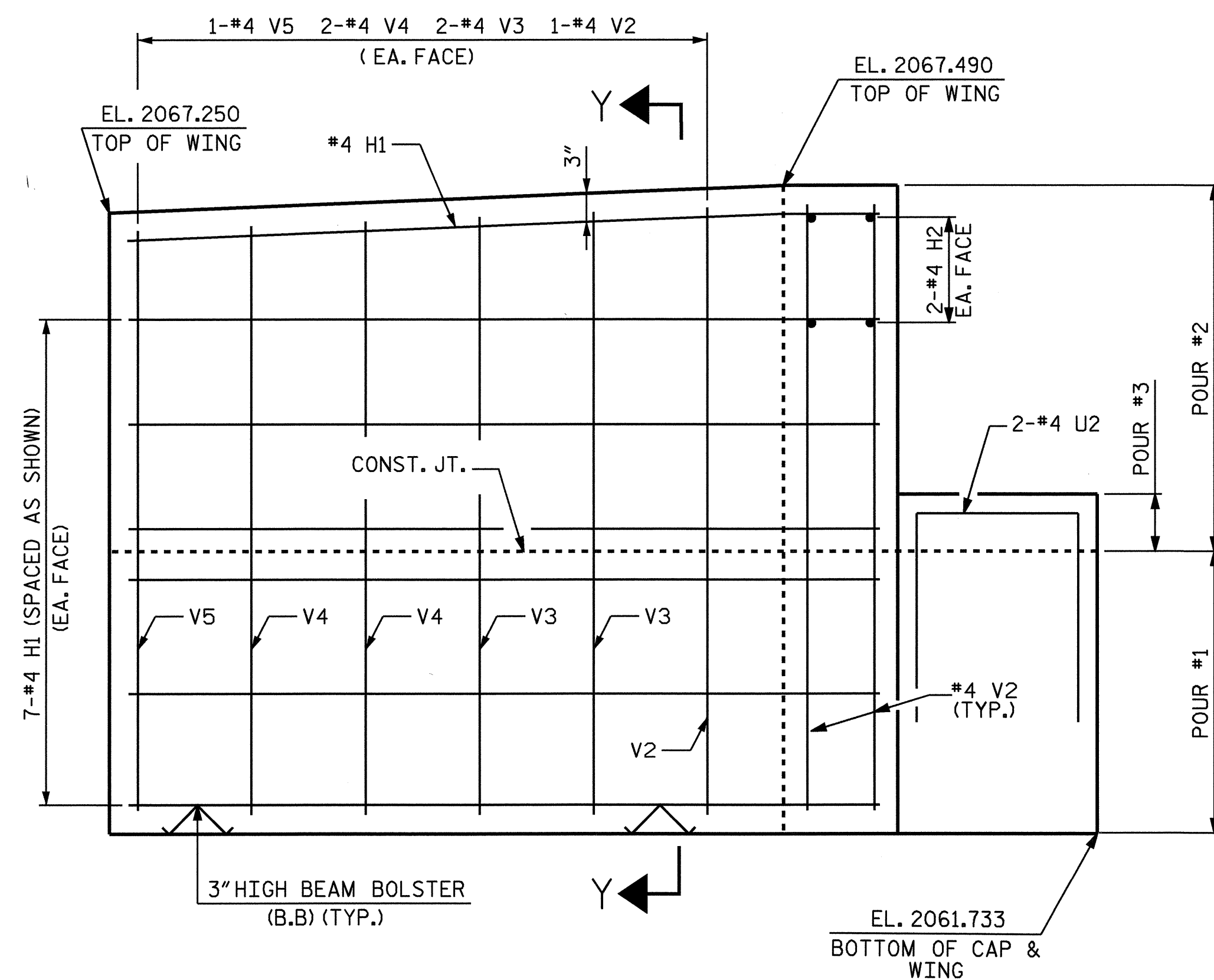
PLAN OF LEFT WING (W1)



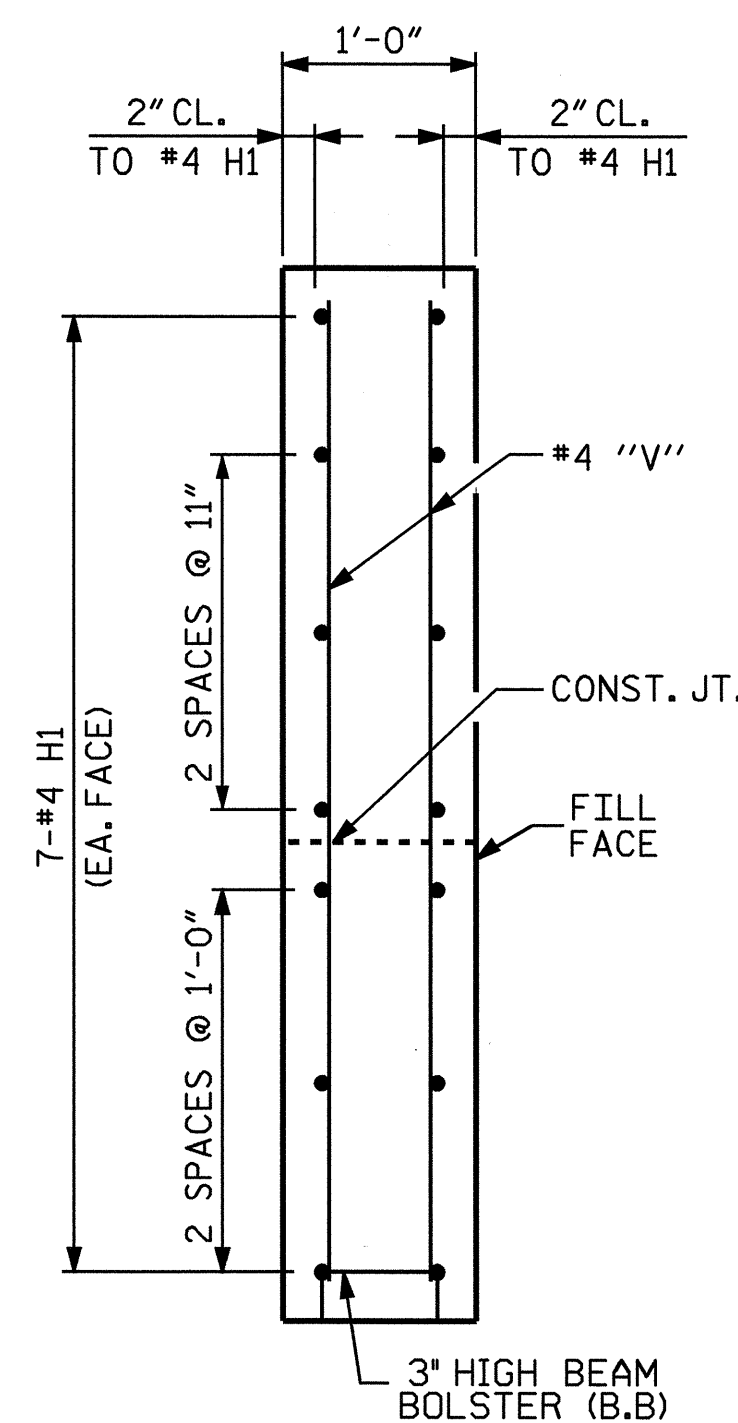
SECTION X-X



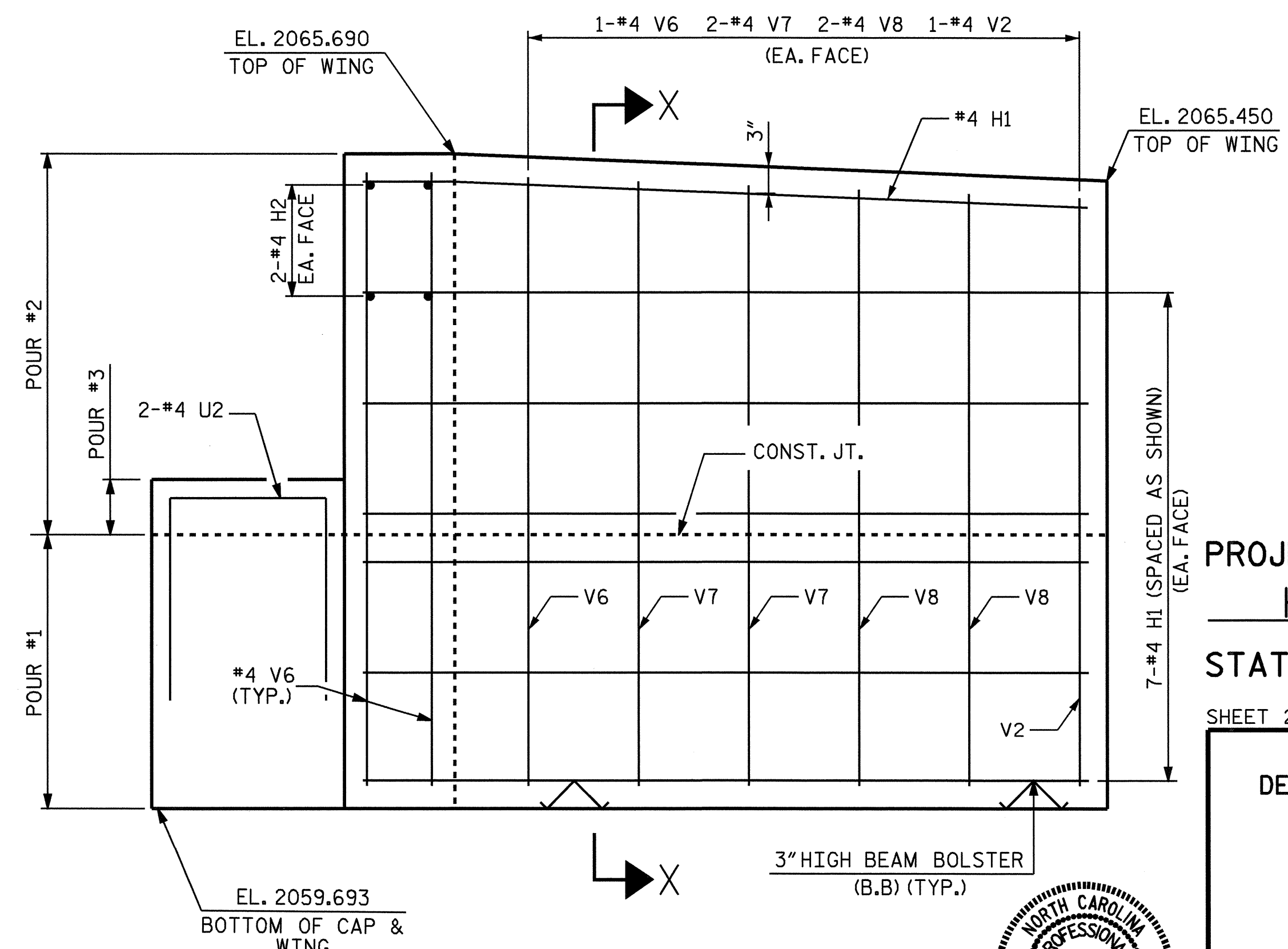
PLAN OF RIGHT WING (W2)



ELEVATION OF LEFT WING (W1)



SECTION Y-Y



ELEVATION OF RIGHT WING (W2)

PROJECT NO. B-3857
 HENDERSON COUNTY
 STATION: 16+59.00 -L-

SHEET 2 OF 3

STATE OF NORTH CAROLINA
 DEPARTMENT OF TRANSPORTATION
 RALEIGH

SUBSTRUCTURE
 END BENT NO. 2



REVISIONS						SHEET NO.
NO.	BY:	DATE:	NO.	BY:	DATE:	S-16
1			3			TOTAL SHEETS
2			4			20

DRAWN BY: A. SORSENGINH DATE: 4-29-05
 CHECKED BY: L.L. MURPHY DATE: 07-05

19-AUG-2005 10:07
 R:\STRUCTURE\B3857\ASORSE\B3857-02.DGN