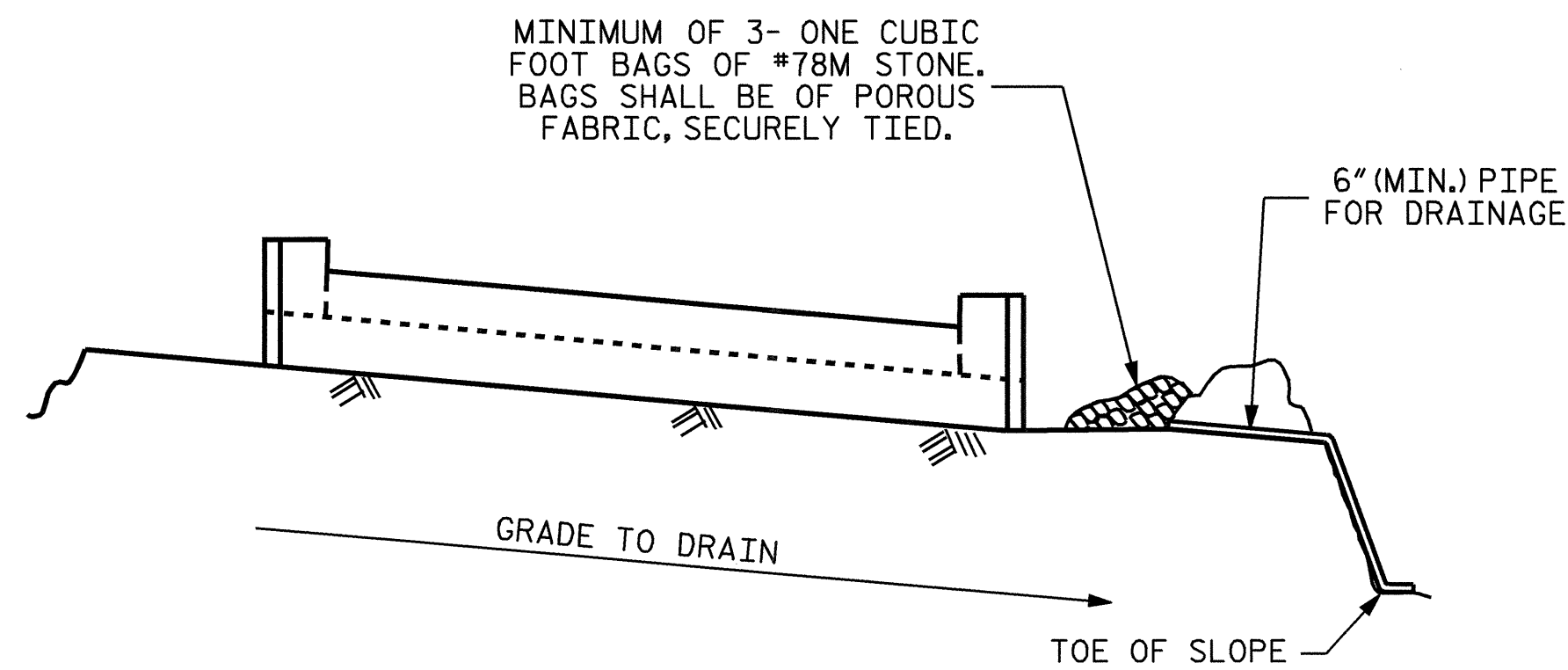


SECTION A-A



BAGGED STONE AND PIPE SHALL BE PLACED IMMEDIATELY AFTER COMPLETION OF END BENT EXCAVATION. PIPE MAY BE EITHER CONCRETE, CORRUGATED STEEL, CORRUGATED ALUMINUM ALLOY, OR CORRUGATED PLASTIC. PERFORATED PIPE WILL NOT BE ALLOWED.

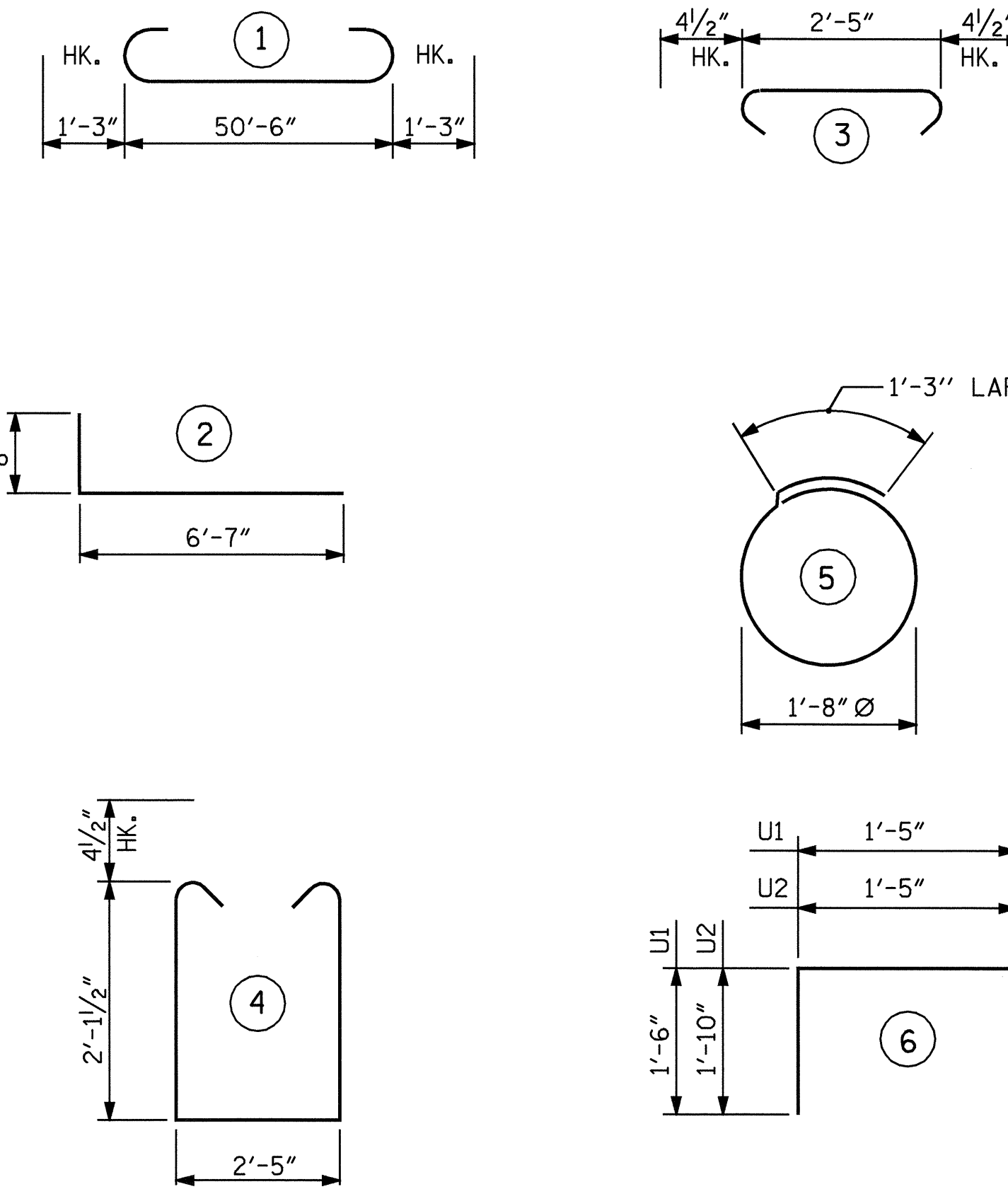
BAGGED STONE SHALL REMAIN IN PLACE UNTIL THE ENGINEER DIRECTS THAT IT BE REMOVED. THE CONTRACTOR SHALL REMOVE AND DISPOSE OF SILT ACCUMULATIONS AT BAGGED STONE WHEN SO DIRECTED BY THE ENGINEER. BAGS SHALL BE REMOVED AND REPLACED WHENEVER THE ENGINEER DETERMINES THAT THEY HAVE DETERIORATED AND LOST THEIR EFFECTIVENESS.

NO SEPARATE PAYMENT WILL BE MADE FOR THIS WORK AND THE ENTIRE COST OF THIS WORK SHALL BE INCLUDED IN THE UNIT CONTRACT PRICE BID FOR THE SEVERAL PAY ITEMS.

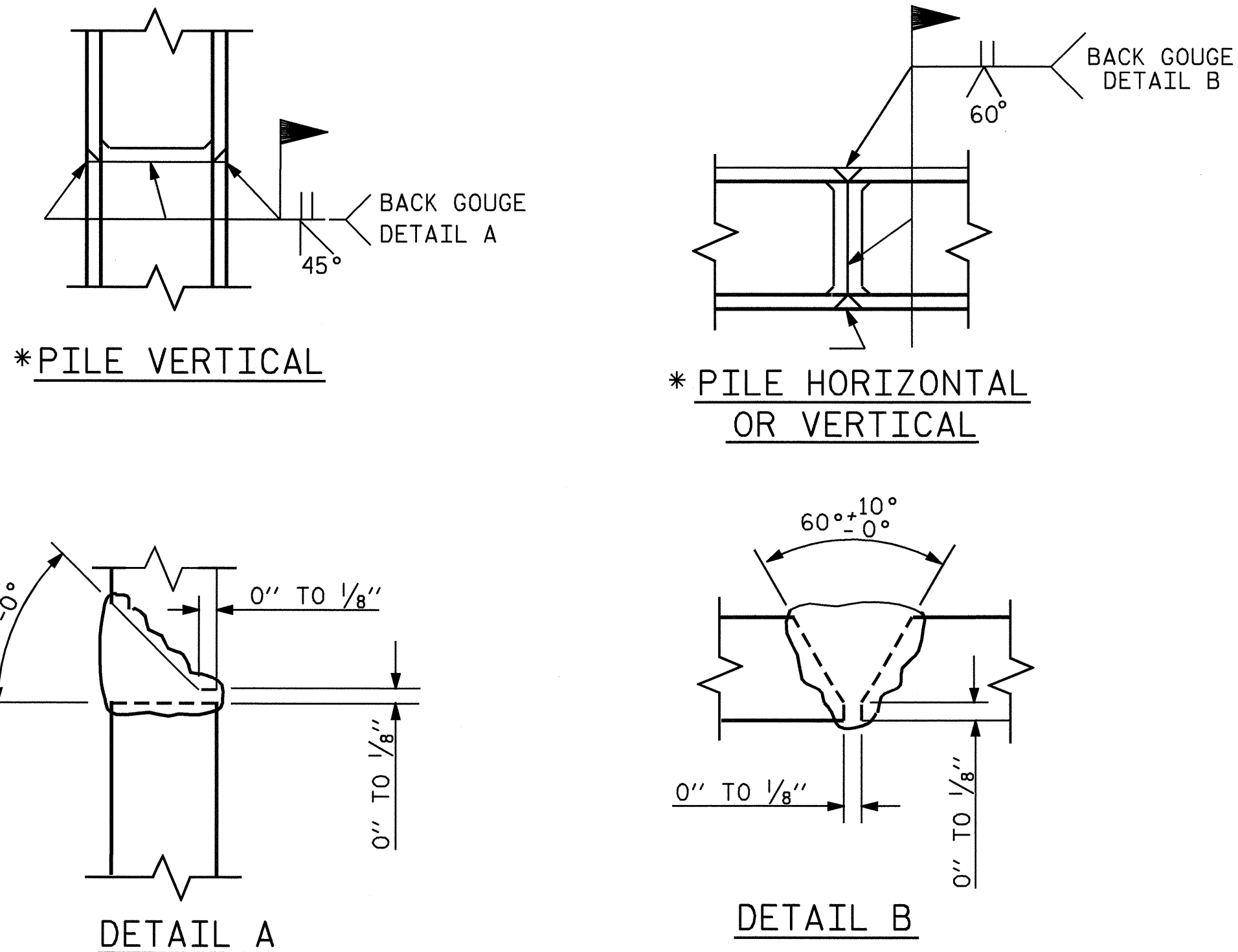
TEMPORARY DRAINAGE AT END BENT

DRAWN BY : A. SORSENGINH DATE : 5-02-05  
 CHECKED BY : L.L. MURPHY DATE : 07-05

19-AUG-2005 10:07  
 R:\STRUCT\B3857\ASORSE\B3857.02.DGN  
 asorse@nh



ALL BAR DIMENSIONS ARE OUT TO OUT.



PILE SPLICE DETAILS

\* POSITION OF PILE DURING WELDING.

BILL OF MATERIAL

END BENT NO. 2

BAR	NO.	SIZE	TYPE	LENGTH	WEIGHT
B1	8	#9	1	53'-0"	1442
B2	2	#6	STR.	50'-8"	152
B3	8	#4	STR.	26'-7"	142
B4	13	#4	STR.	2'-5"	21
D1	30	#8	STR.	2'-3"	180
H1	28	#4	2	7'-3"	136
H2	8	#4	STR.	2'-6"	13
K1	8	#4	STR.	26'-7"	142
S1	49	#4	3	3'-2"	104
S2	49	#4	4	7'-5"	243
S3	24	#4	5	6'-6"	104
U1	45	#4	6	3'-8"	110
U2	4	#4	6	5'-1"	14
V1	90	#4	STR.	3'-7"	215
V2	12	#4	STR.	5'-4"	43
V3	4	#4	STR.	5'-3"	14
V4	4	#4	STR.	5'-2"	14
V5	2	#4	STR.	5'-1"	7
V6	10	#4	STR.	5'-7"	37
V7	4	#4	STR.	5'-6"	15
V8	4	#4	STR.	5'-5"	14

REINFORCING STEEL = 3162 LBS

CLASS A CONCRETE BREAKDOWN

POUR #1	CAP & LOWER PART OF WINGS	C.Y.	13.8
POUR #2	BACKWALL AND UPPER PART OF WINGS	C.Y.	4.5
POUR #3	LATERAL GUIDES	C.Y.	0.1
TOTAL CLASS A CONCRETE		C.Y.	18.4

HP 12 X 53 STEEL PILES  
 NO. 12 LIN. FT. 240

PROJECT NO. B-3857  
 HENDERSON COUNTY  
 STATION: 16+59.00 -L-

SHEET 3 OF 3

STATE OF NORTH CAROLINA  
 DEPARTMENT OF TRANSPORTATION  
 RALEIGH

SUBSTRUCTURE  
 END BENT NO. 2



REVISIONS				SHEET NO.
NO.	BY:	DATE:	NO.	DATE:
1			3	
2			4	

TOTAL SHEETS 20

NC006