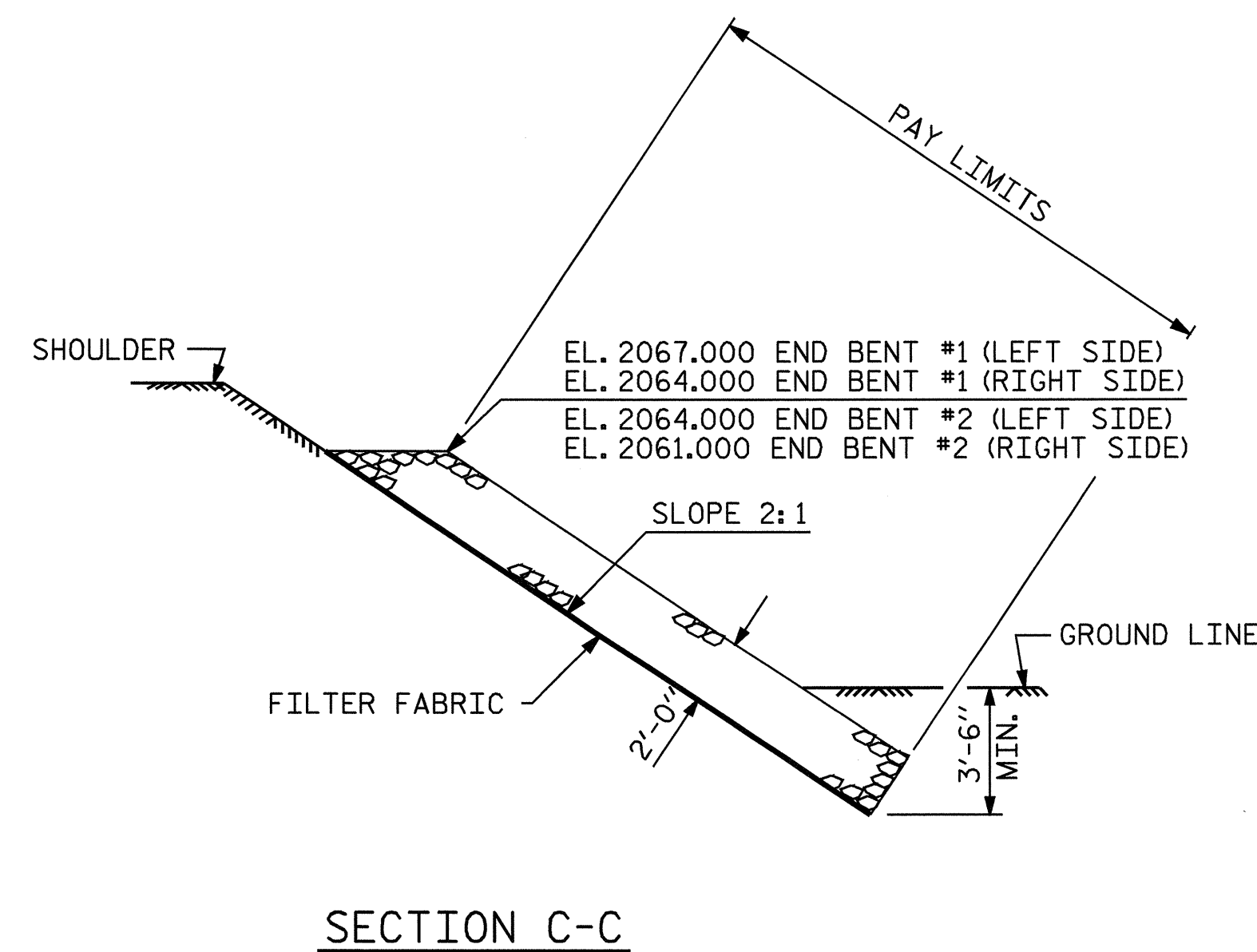
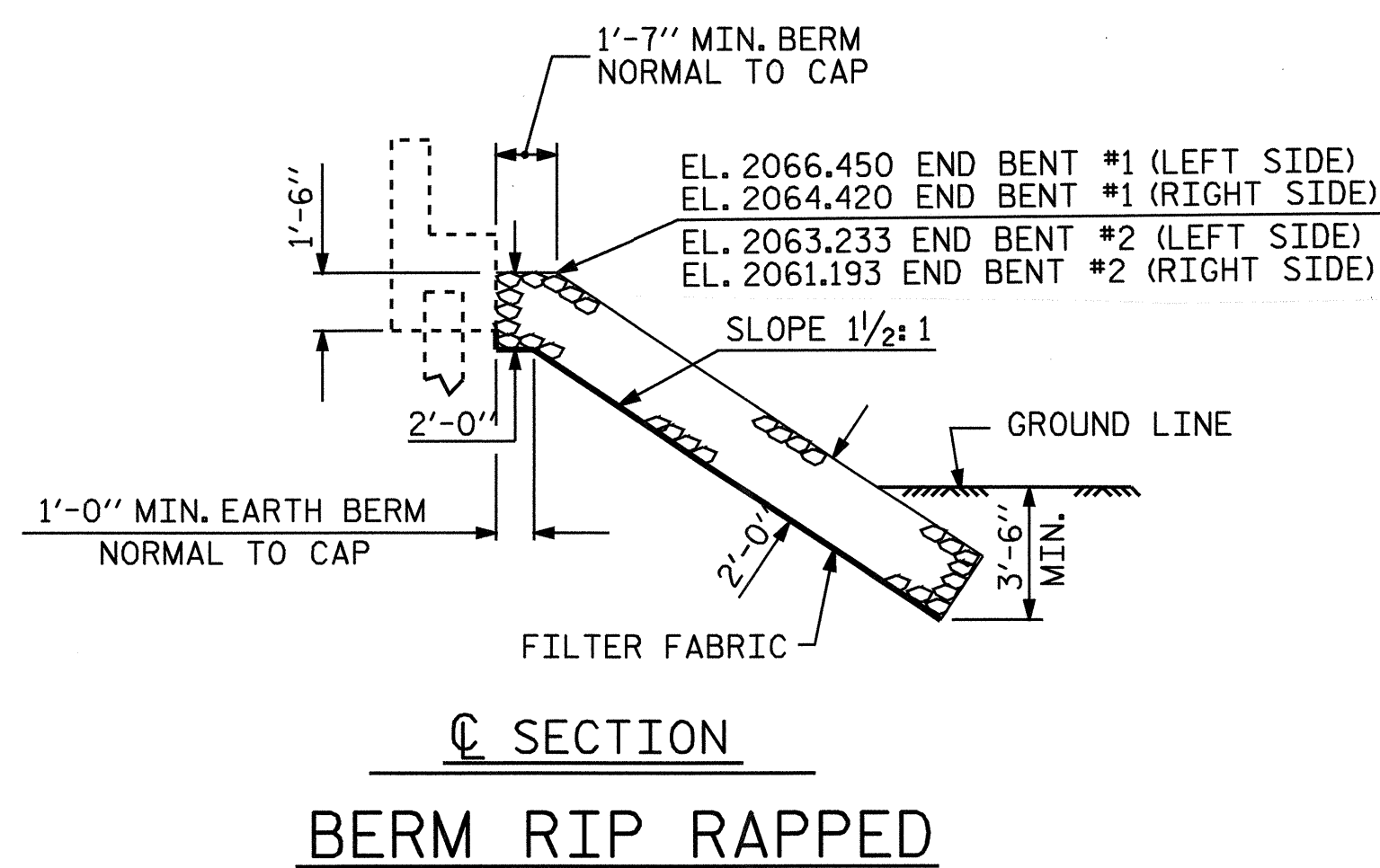


ESTIMATED QUANTITIES		
BRIDGE @ STA. 16+59.00 -L-	PLAIN RIP RAP CLASS II	FILTER FABRIC FOR DRAINAGE
	TONS	SQUARE YARDS
END BENT 1	247	275
END BENT 2	247	274
TOTAL	494	549



PROJECT NO. B-3857  
HENDERSON COUNTY  
 STATION: 16+59.00 -L-

STATE OF NORTH CAROLINA  
 DEPARTMENT OF TRANSPORTATION  
 RALEIGH  
 — RIP RAP DETAILS —

ASSEMBLED BY : A. SORSENGINH DATE : 5/05  
 CHECKED BY : J. HARRIS DATE : 7/05  
 DRAWN BY : FCJ 2/88 REV. 7/17/98 REK/RWW  
 CHECKED BY : ARB 8/88 REV. 8/16/99 RWW/LES  
 REV. 10/17/00 RWW/LES



REVISIONS						SHEET NO. S-18
NO.	BY:	DATE:	NO.	BY:	DATE:	
1			3			TOTAL SHEETS 20
2			4			