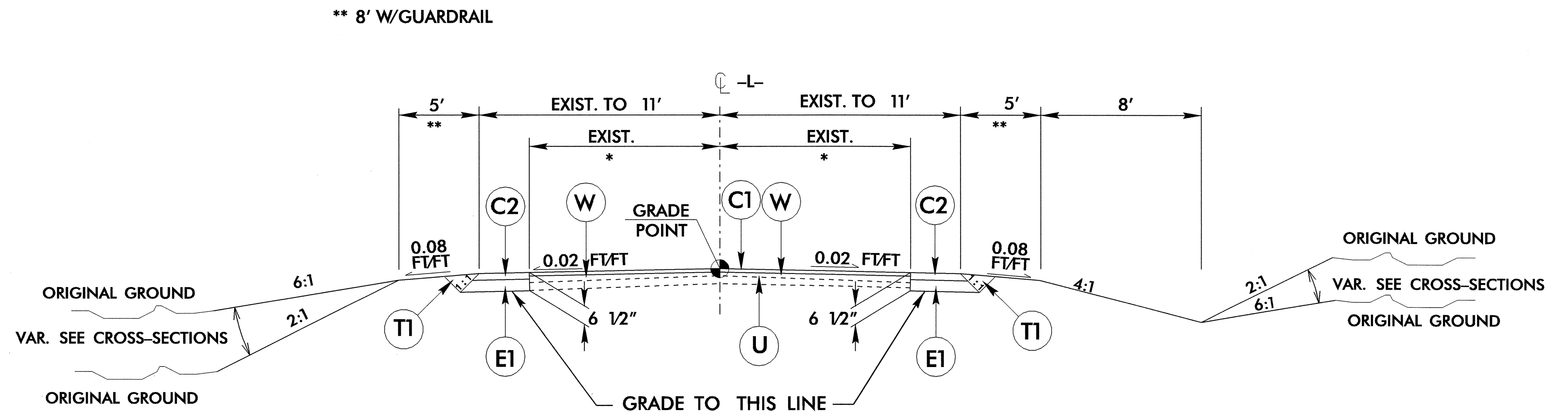
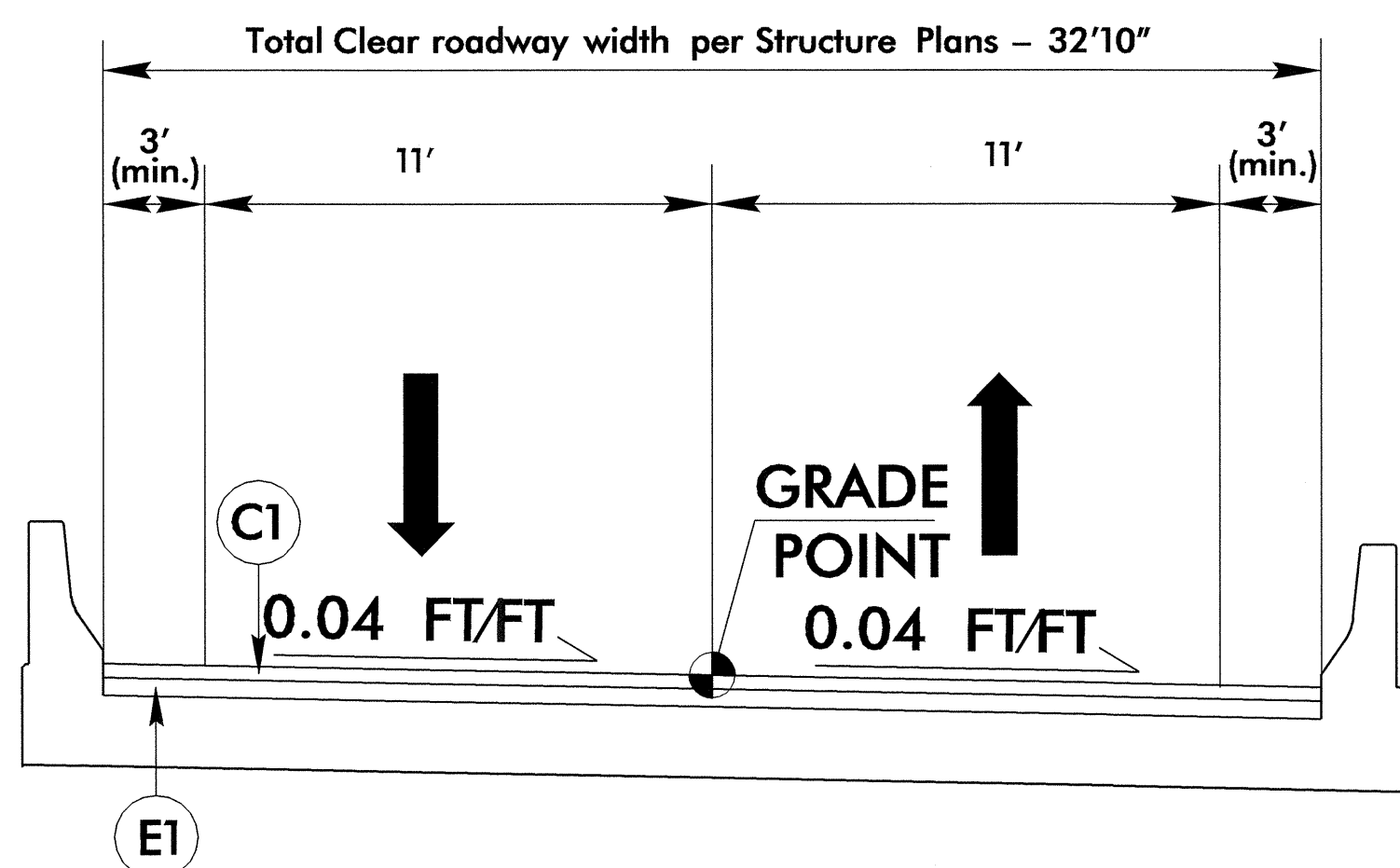


FINAL PAVEMENT SCHEDULE	
C1	PROP. APPROX. 1 1/2" ASPHALT CONCRETE SURFACE COURSE, TYPE SF9.5A, AT AN AVERAGE RATE OF 165 LBS. PER SQ. YD.
C2	PROP. APPROX. 3" ASPHALT CONCRETE SURFACE COURSE, TYPE SF9.5A AT AN AVERAGE RATE OF 165 LBS. PER SQ. YD. IN EACH OF TWO LAYERS.
C3	PROP. VAR. DEPTH ASPHALT CONCRETE SURFACE COURSE, TYPE SF9.5A, AT AN AVERAGE RATE OF 110 LBS. PER SQ. YD. PER 1" DEPTH. TO BE PLACED IN LAYERS NOT TO EXCEED 1 1/2" IN DEPTH.
E1	PROP. APPROX. 4" ASPHALT CONCRETE BASE COURSE, TYPE B25.0B, AT AN AVERAGE RATE OF 456 LBS. PER SQ. YD.
E2	PROP. VAR. DEPTH ASPHALT CONCRETE BASE COURSE, TYPE B25.0B, AT AN AVERAGE RATE OF 114 LBS. PER SQ. YD. PER 1" DEPTH. TO BE PLACED IN LAYERS NOT LESS THAN 3" IN DEPTH OR GREATER THAN 5 1/2" IN DEPTH.
T1	EARTH MATERIAL.
U	EXISTING PAVEMENT.
W	VARIABLE DEPTH ASPHALT PAVEMENT (SEE STANDARD WEDGING DETAIL).



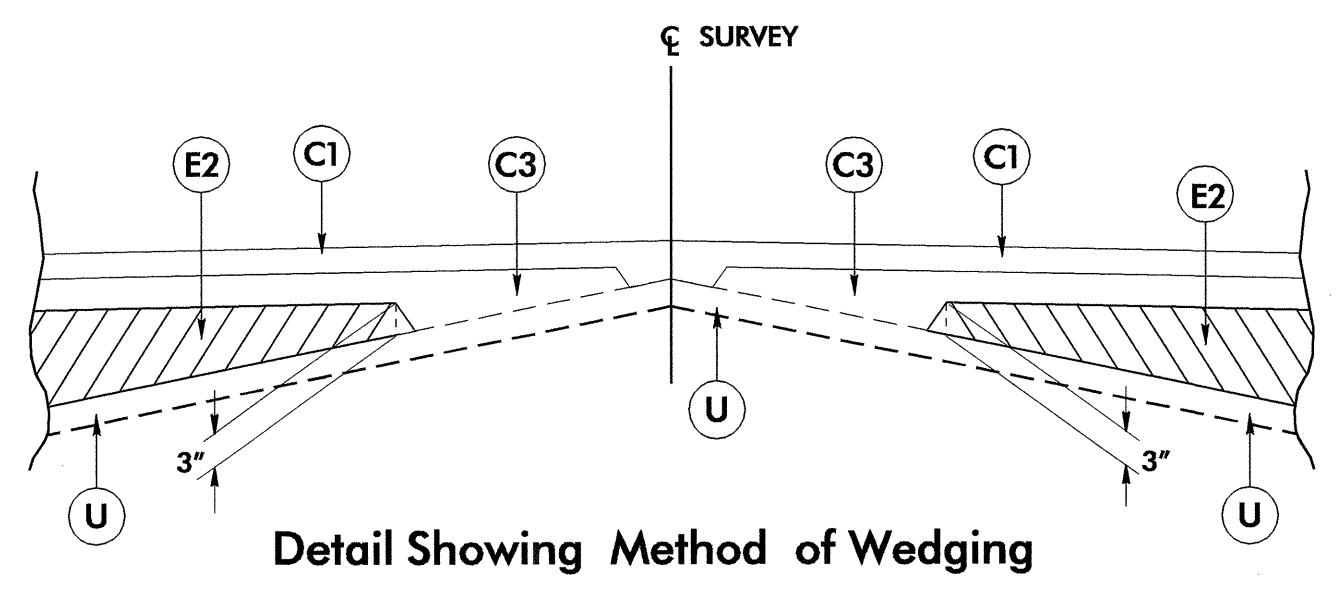
TYPICAL SECTION NO. 1

USE TYPICAL SECTION NO. 1
 * -L- STA. 9+45 TO 11+00.00 (1 1/2" SF9.5A RESURFACING ONLY)
 -L- STA. 11+00.00 TO 12+50.00
 -L- STA. 16+50.00 TO 18+50.00

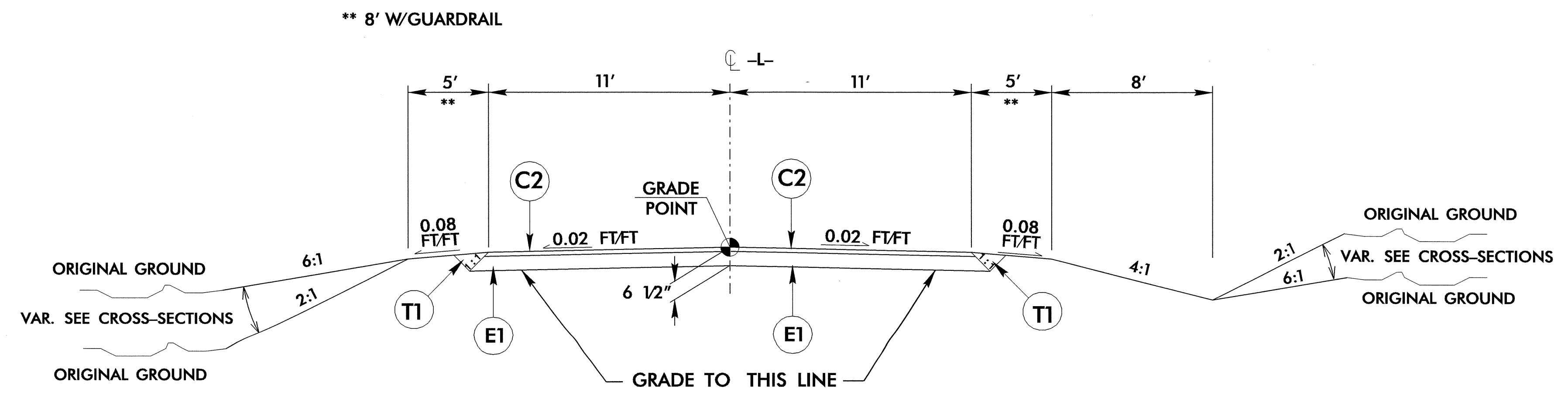


TYPICAL SECTION ON STRUCTURE

-L- STA 14+59.53 TO -L- STA. 15+99.59



Detail Showing Method of Wedging



TYPICAL SECTION NO. 2

USE TYPICAL SECTION NO. 2
 -L- STA. 12+50.00 TO 14+59.53 (BRIDGE)
 -L- STA. 15+99.59 (BRIDGE) TO 16+50.00