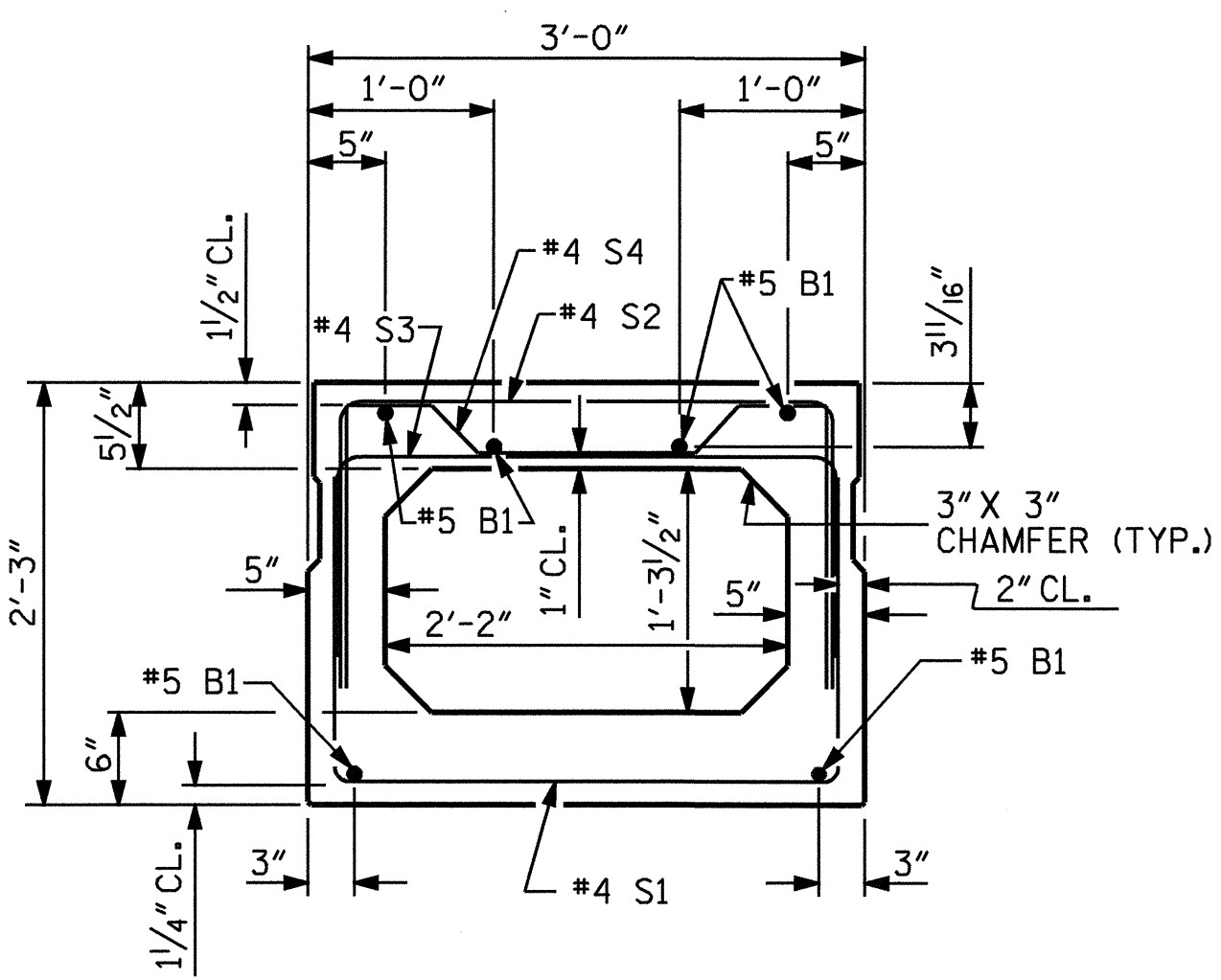


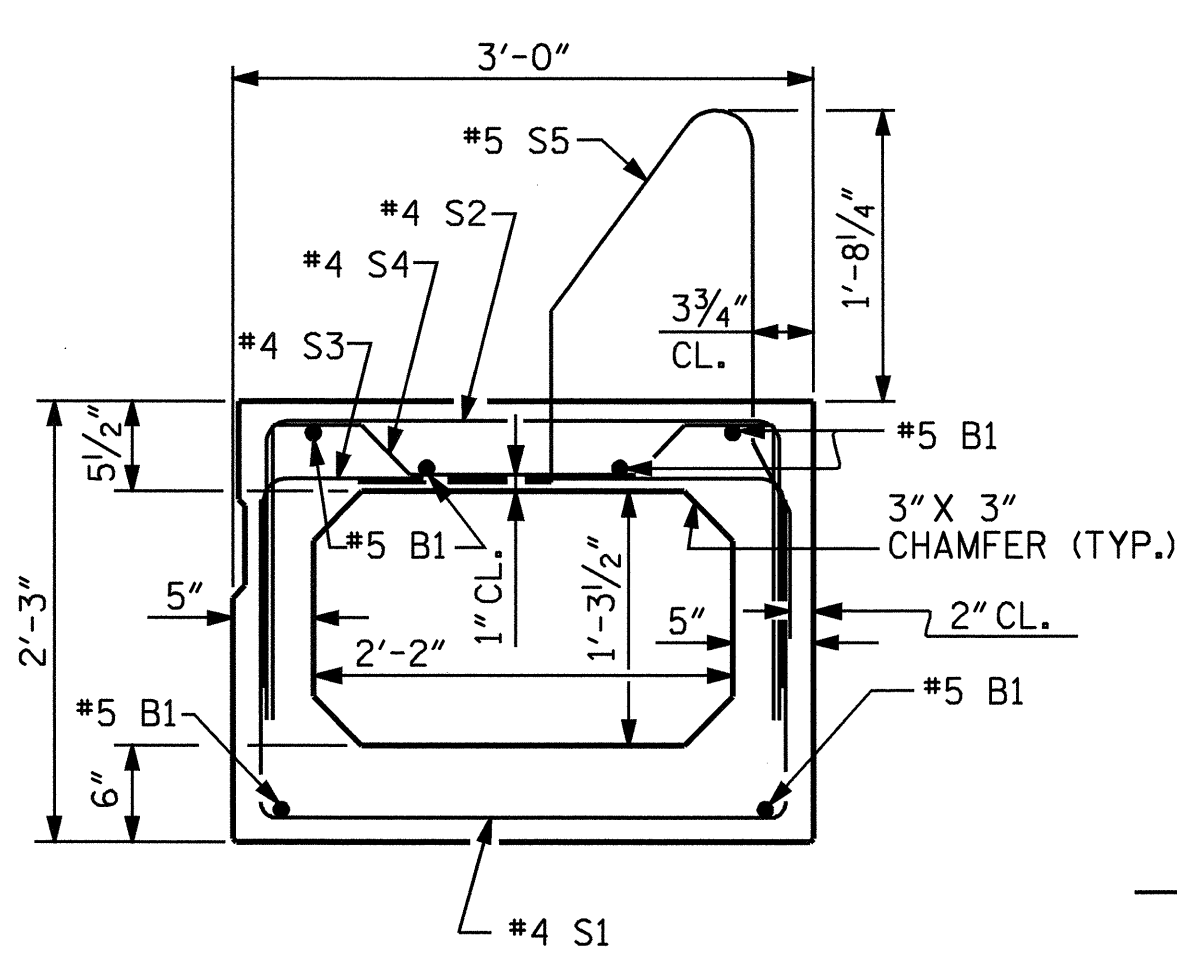
END ELEVATION

SHOWING PLACEMENT OF #5 & #4 "A" BARS AND LOCATION OF DOWEL HOLES. (INTERIOR BOX BEAM SECTION SHOWN-EXTERIOR SECTION SIMILAR EXCEPT SHEAR KEY LOCATION. STRAND LAYOUT NOT SHOWN.)



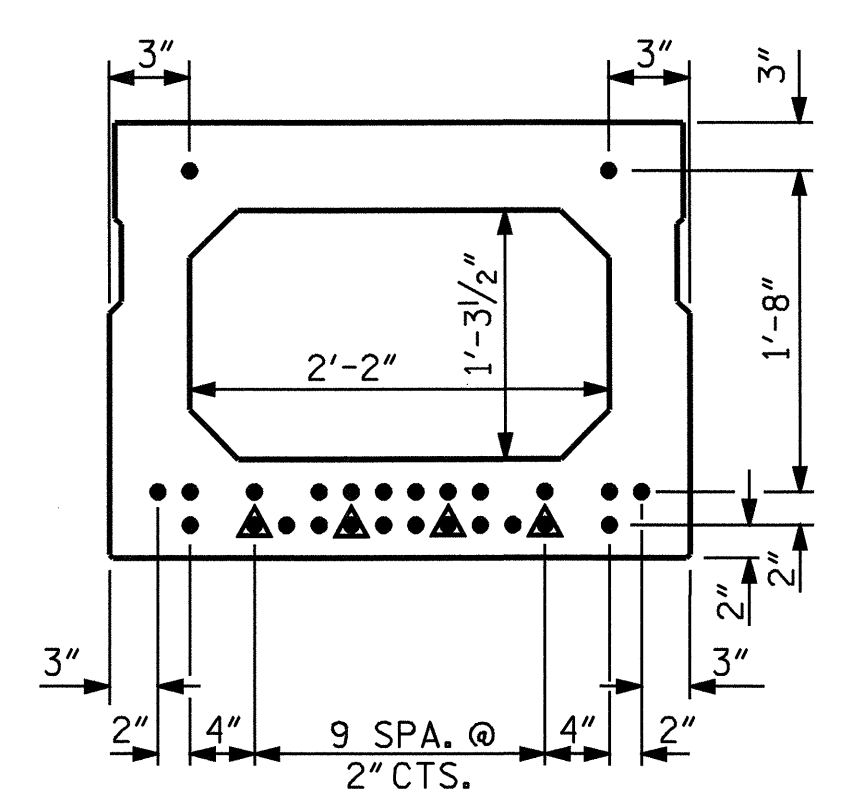
INTERIOR BOX BEAM SECTION

(STRAND LAYOUT NOT SHOWN)



EXTERIOR BOX BEAM SECTION

(STRAND LAYOUT NOT SHOWN)



TYPICAL STRAND LOCATION

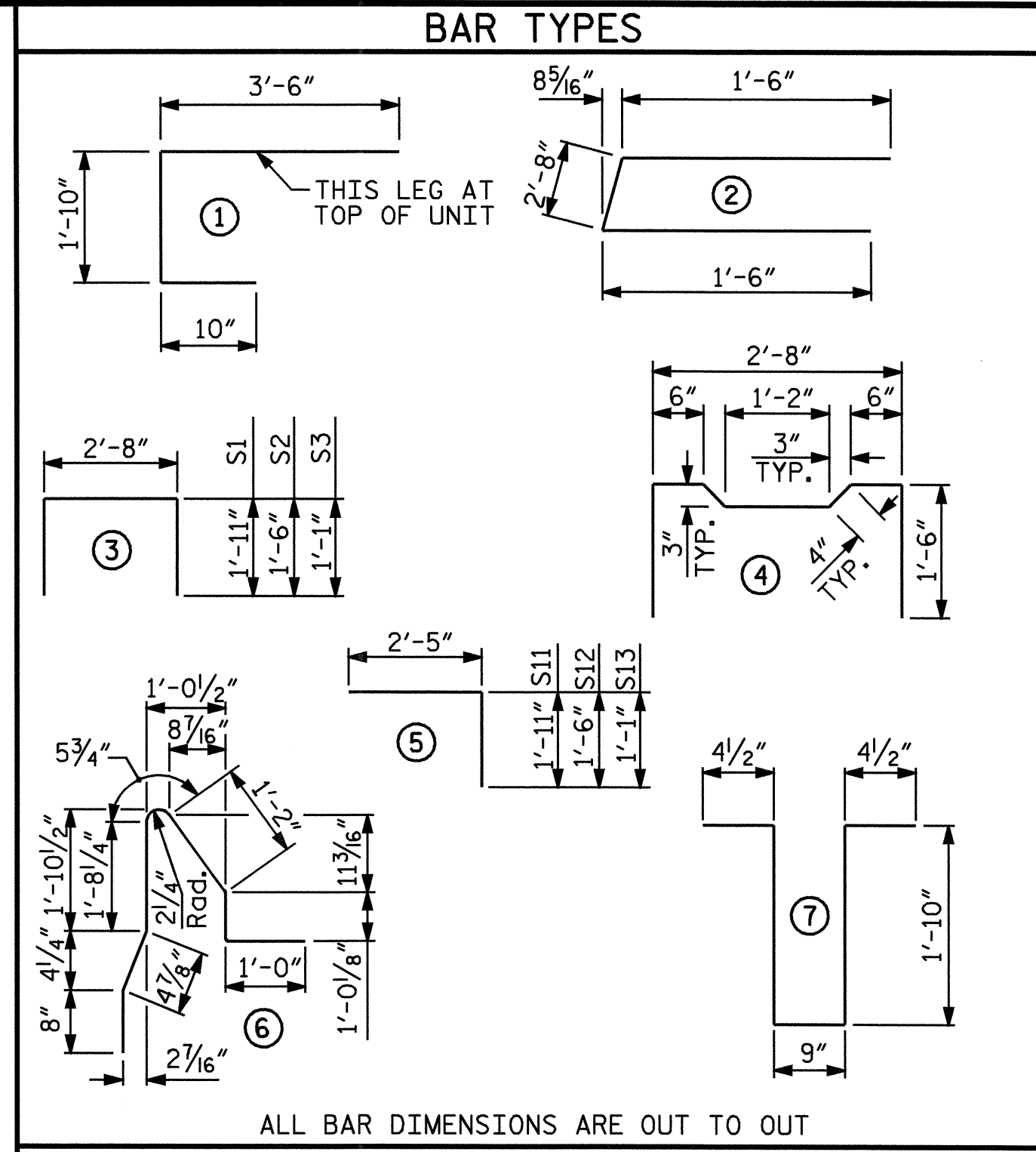
(26 STRANDS REQUIRED)
(INTERIOR BOX BEAM SECTION SHOWN-EXTERIOR SECTION SIMILAR EXCEPT SHEAR KEY LOCATION)

DEBONDING LEGEND

- FULLY BONDED STRANDS
- ▲ STRANDS DEBONDED FOR 4'-0" FROM END OF GIRDER

0.5" Ø LOW RELAXATION STRAND LAYOUT

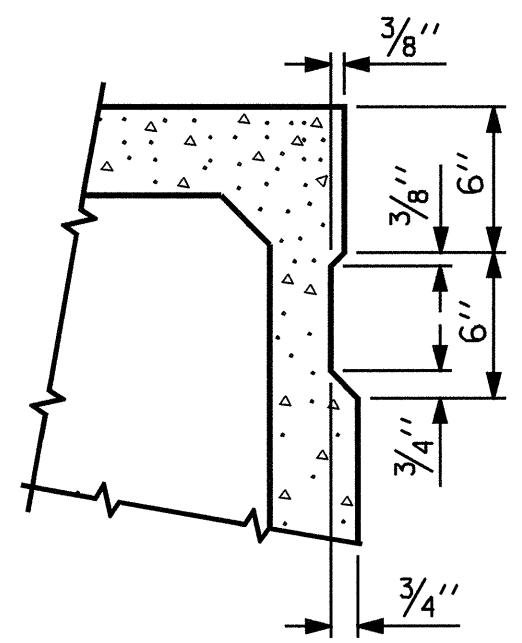
GRADE 270 STRANDS	
0.5" Ø L.R.	
AREA (SQUARE INCHES)	0.153
ULTIMATE STRENGTH (LBS. PER STRAND)	41,300
APPLIED PRESTRESS (LBS. PER STRAND)	30,980



ALL BAR DIMENSIONS ARE OUT TO OUT

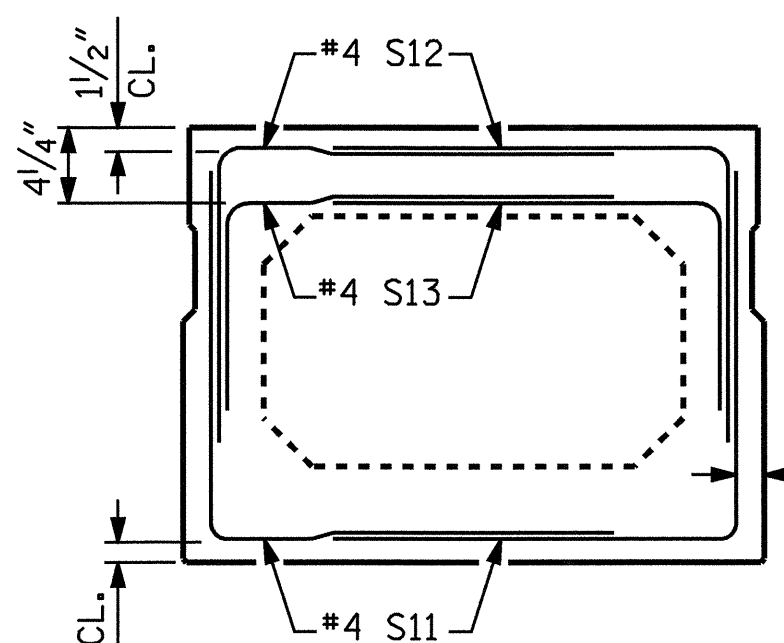
BILL OF MATERIAL FOR ONE BOX BEAM SECTION

BAR NUMBER	SIZE	TYPE	EXTERIOR UNIT		INTERIOR UNIT	
			LENGTH	WEIGHT	LENGTH	WEIGHT
A1	10	#5	6'-2"	64	6'-2"	64
A2	22	#4	5'-8"	83	5'-8"	83
B1	12	#5	35'-4"	442	35'-4"	442
K1	12	#4	5'-2"	41	5'-2"	41
K2	8	#4	2'-7"	14	2'-7"	14
S1	55	#4	6'-6"	239	6'-6"	239
S2	55	#4	5'-8"	208	5'-8"	208
S3	95	#4	4'-10"	307	4'-10"	307
S4	40	#4	5'-10"	156	5'-10"	156
S11	12	#4	4'-4"	35	4'-4"	35
S12	12	#4	3'-11"	31	3'-11"	31
S13	12	#4	3'-6"	28	3'-6"	28
* S5	92	#5	6'-5"	616		
REINFORCING STEEL LBS.				1,648		1,648
* EPOXY COATED REINF. STEEL				616 LBS.		
6500 P.S.I. CONCRETE				11.0 CU. YDS.		11.0 CU. YDS.
0.5" Ø L.R. STRANDS			No.	26	No.	26



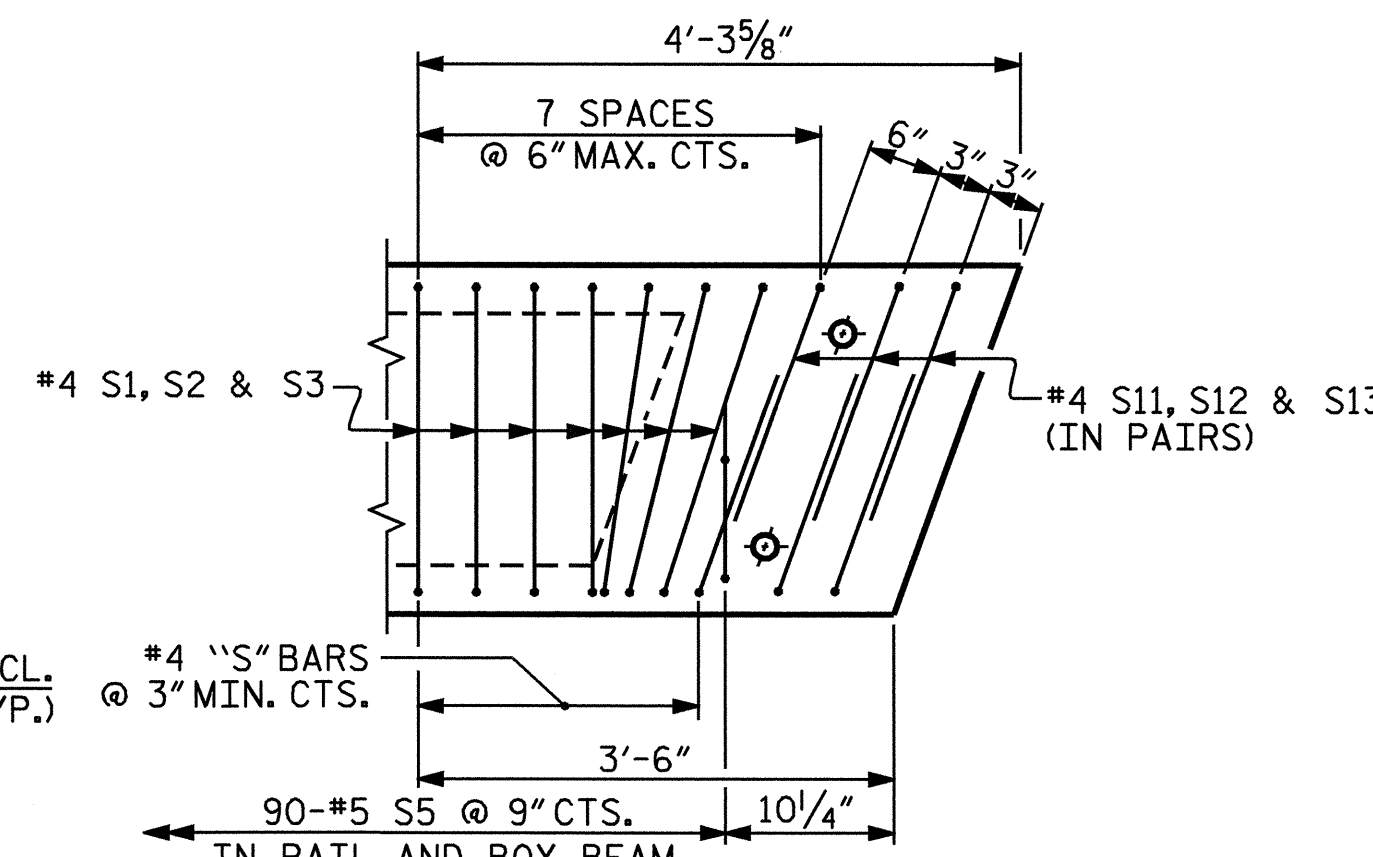
SHEAR KEY DETAIL

NOTE: OMIT SHEAR KEY ON OUTSIDE FACE OF EXTERIOR BOX BEAMS.



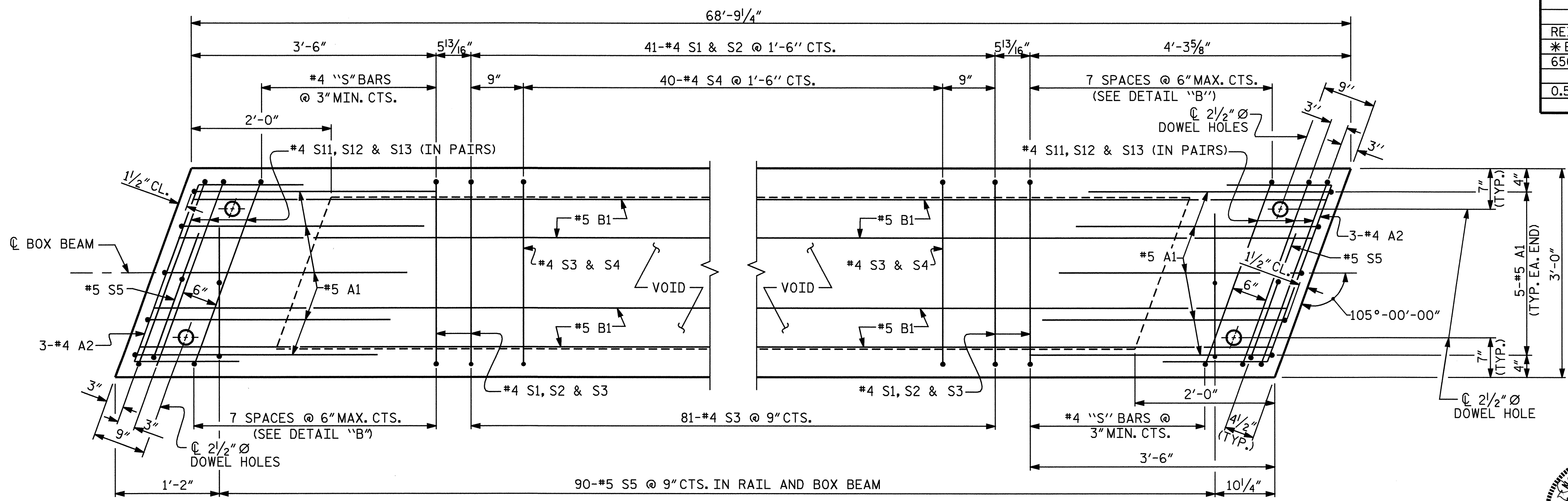
END VIEW

(SHOWING #4 "S" BARS IN END OF BEAM)



DETAIL "B"

EXTERIOR UNIT SHOWN, INTERIOR UNIT SIMILAR EXCEPT OMIT #5 S5 BARS. "B" BARS AND "A" BARS NOT SHOWN.



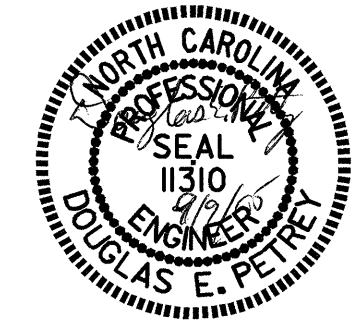
PLAN OF BOX BEAM

EXTERIOR UNIT SHOWN, INTERIOR UNIT SIMILAR EXCEPT OMIT #5 S5 BARS. FOR LOCATION OF DIAPHRAGMS, SEE PLAN OF SPANS. FOR REINFORCING STEEL IN DIAPHRAGMS, SEE DIAPHRAGM DETAILS.

PROJECT NO. B-4047
BURKE COUNTY
STATION: 15+30.00 -L-

SHEET 4 OF 6

STATE OF NORTH CAROLINA DEPARTMENT OF TRANSPORTATION RALEIGH					
3'-0" X 2'-3" PRESTRESSED CONCRETE BOX BEAM UNIT SPAN A & B					
MARCH 2005			REVISIONS		
NO.	BY:	DATE:	NO.	BY:	DATE:
1			3		
2			4		



ASSEMBLED BY : A.R.CHESSON DATE : 3-05
CHECKED BY : B.N.GRADY DATE : 3-05

09-SEP-2005 12:28
G:\Structures\B4047\chesson\mlcrostation\B4047_sd.pcb_01.dgn
chesson

TOTAL SHEETS 24