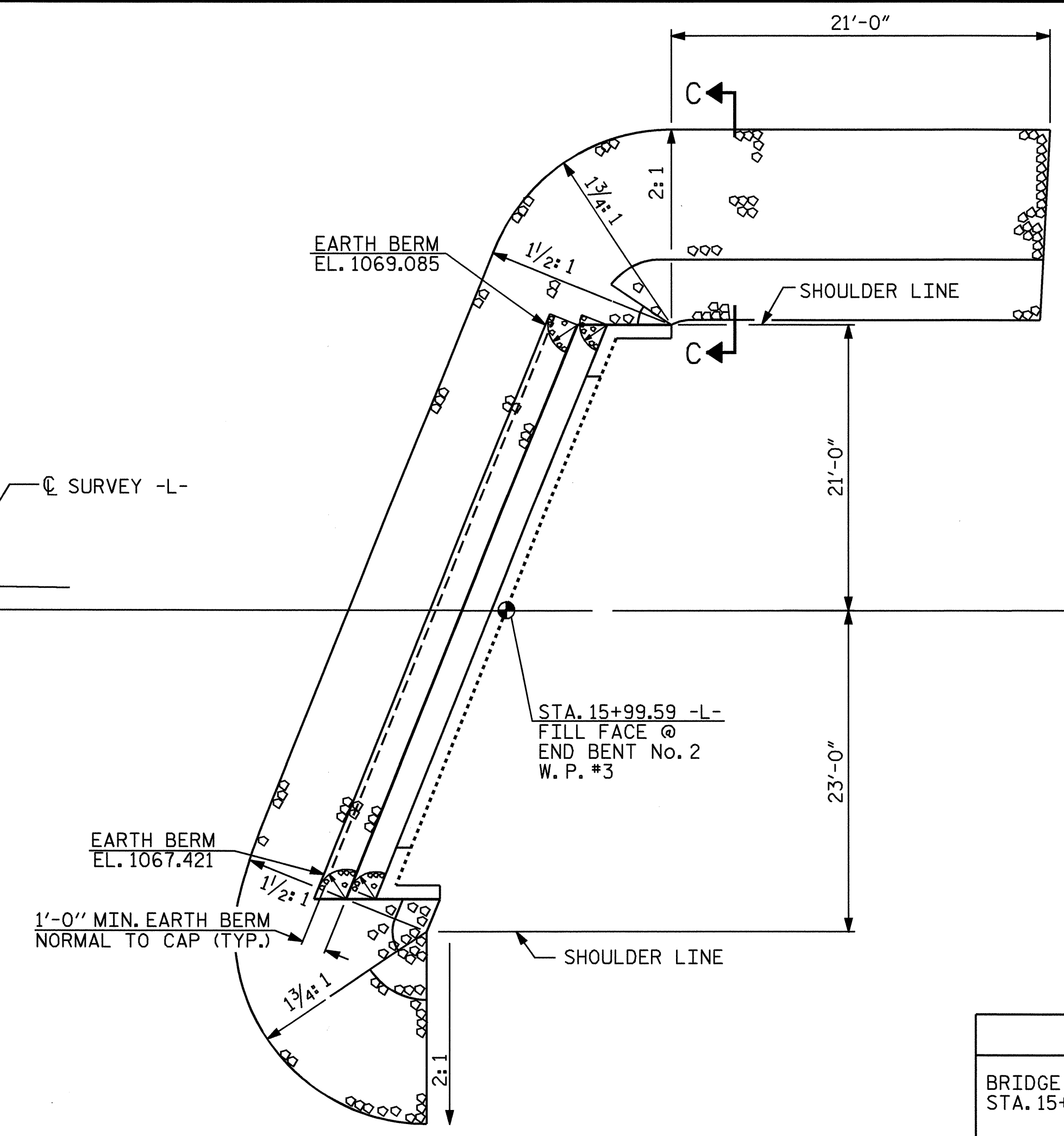
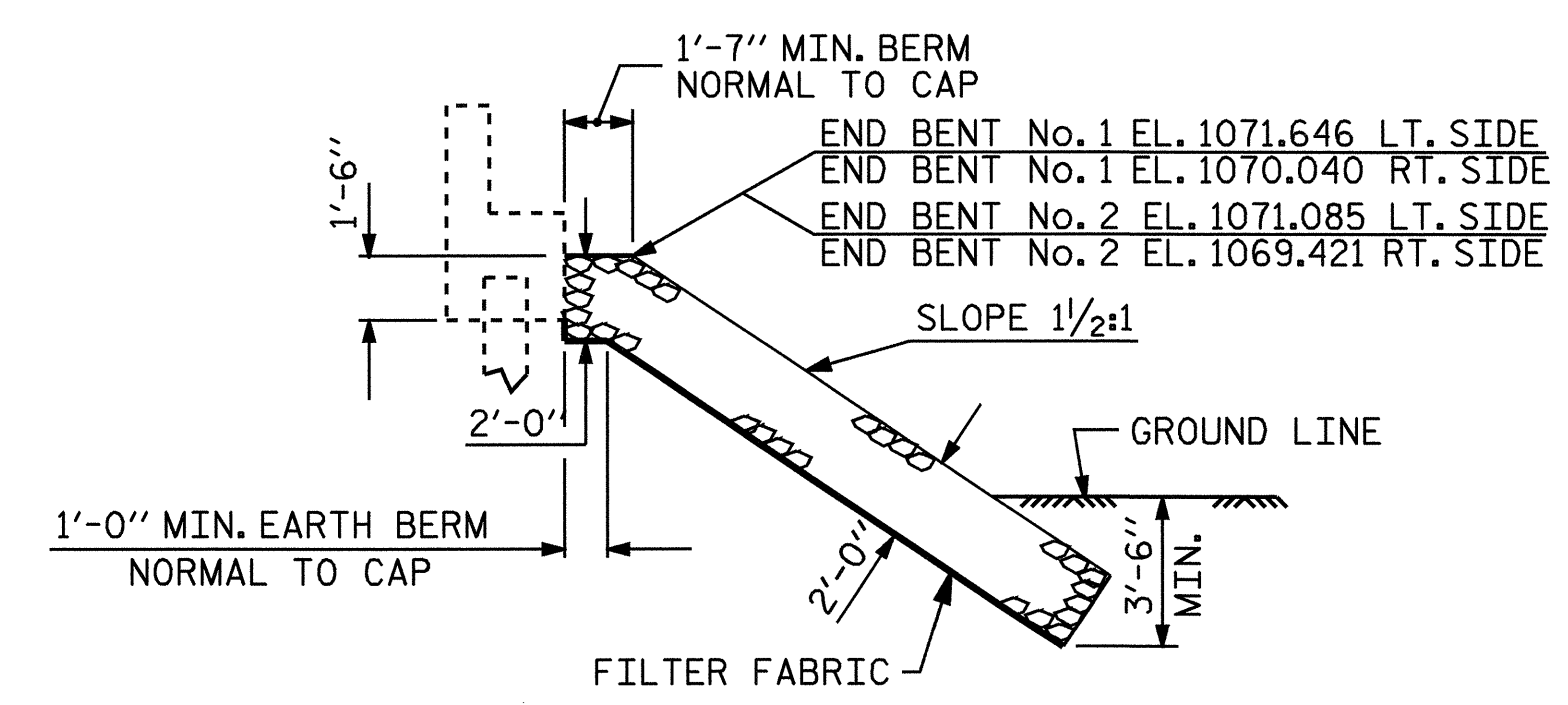


END BENT No. 1

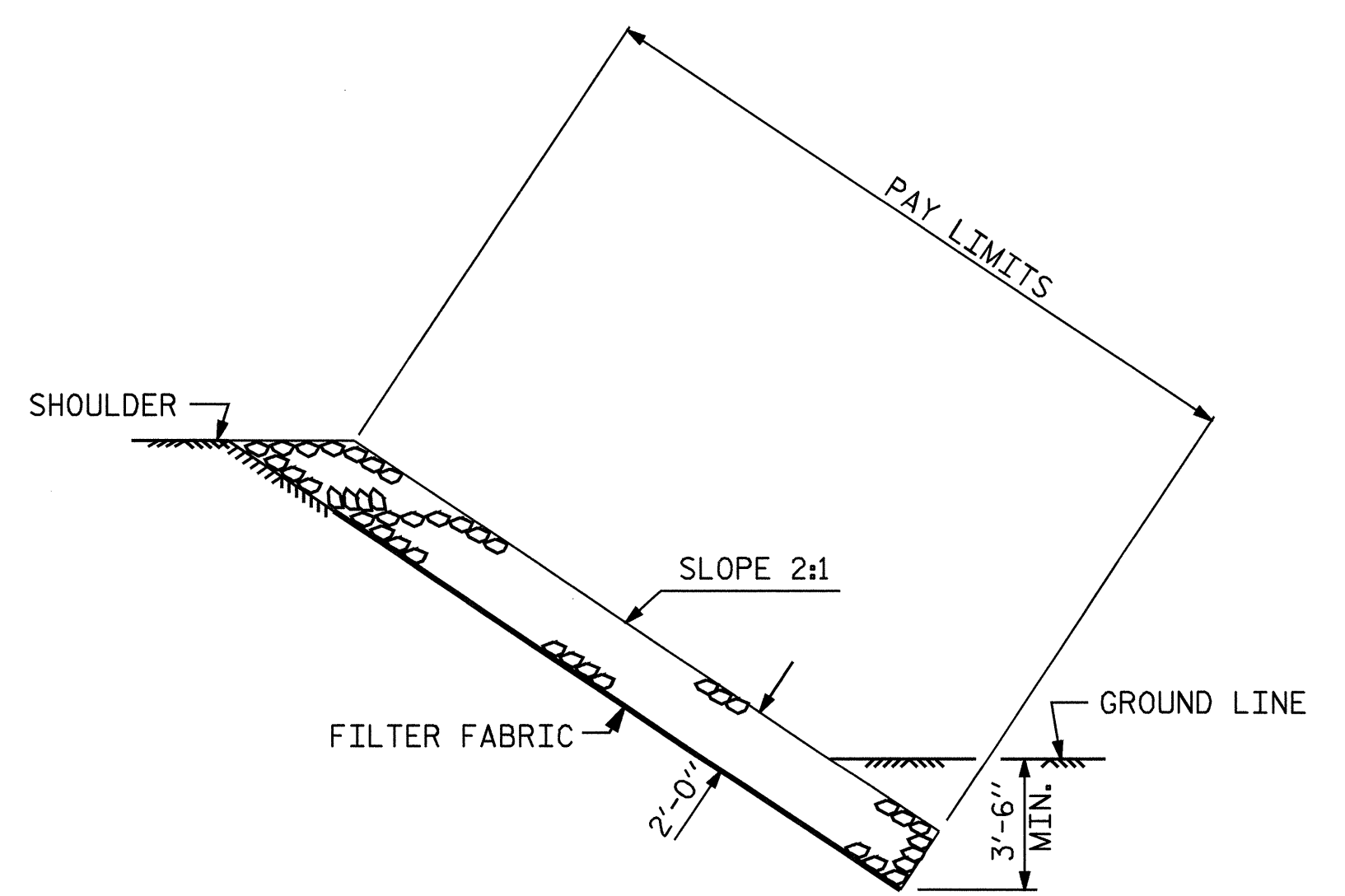


END BENT No. 2

ESTIMATED QUANTITIES		
BRIDGE @ STA. 15+30.00 -L-	PLAIN RIP RAP CLASS II	FILTER FABRIC FOR DRAINAGE
	TONS	SQUARE YARDS
END BENT 1	150	172
END BENT 2	95	106



SECTION
BERM RIP RAPPED



SECTION C-C

PROJECT NO. B-4047
BURKE COUNTY
 STATION: 15+30.00 -L-

STATE OF NORTH CAROLINA
 DEPARTMENT OF TRANSPORTATION
 RALEIGH
 STANDARD
 RIP RAP DETAILS



ASSEMBLED BY : R. G. EMERSON DATE : 04/05
 CHECKED BY : A. V. ROYAL DATE : 04/05
 DRAWN BY : REK 1/84 REV. 7/17/98 REK/RWW
 CHECKED BY : RDU 1/84 REV. 8/16/99 RWW/LES
 REV. 10/17/00 RWW/LES

REVISIONS						SHEET NO.
NO.	BY:	DATE:	NO.	BY:	DATE:	S-18
1			3			TOTAL SHEETS
2			4			24