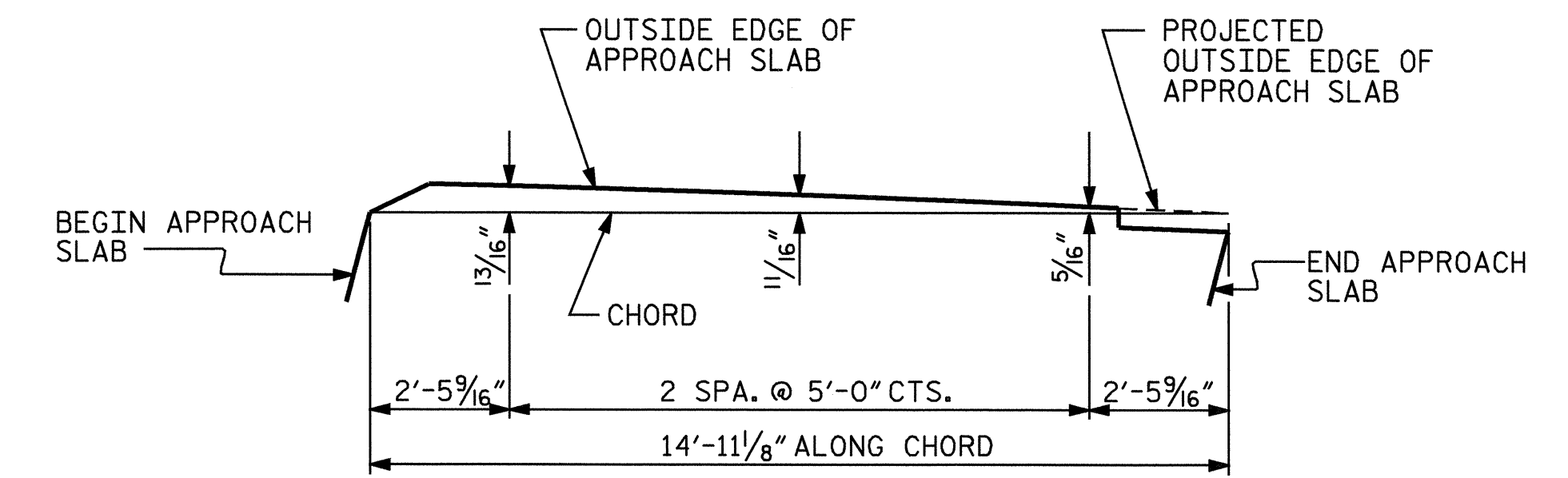
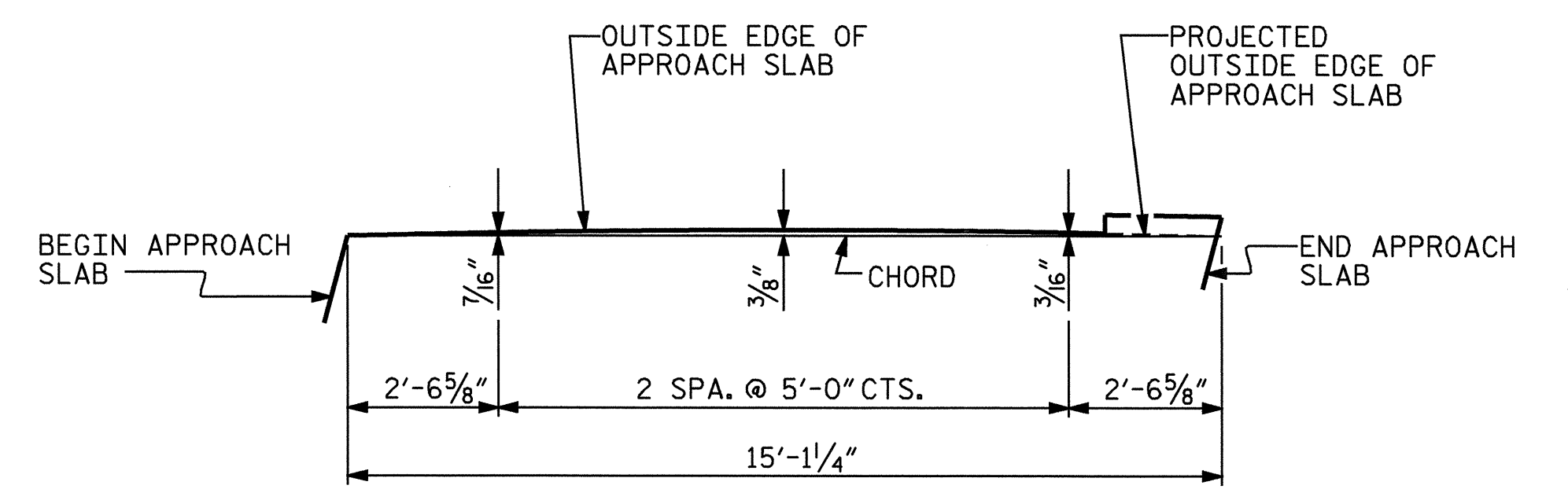


PLAN OF APPROACH SLAB AT END BENT No. 2

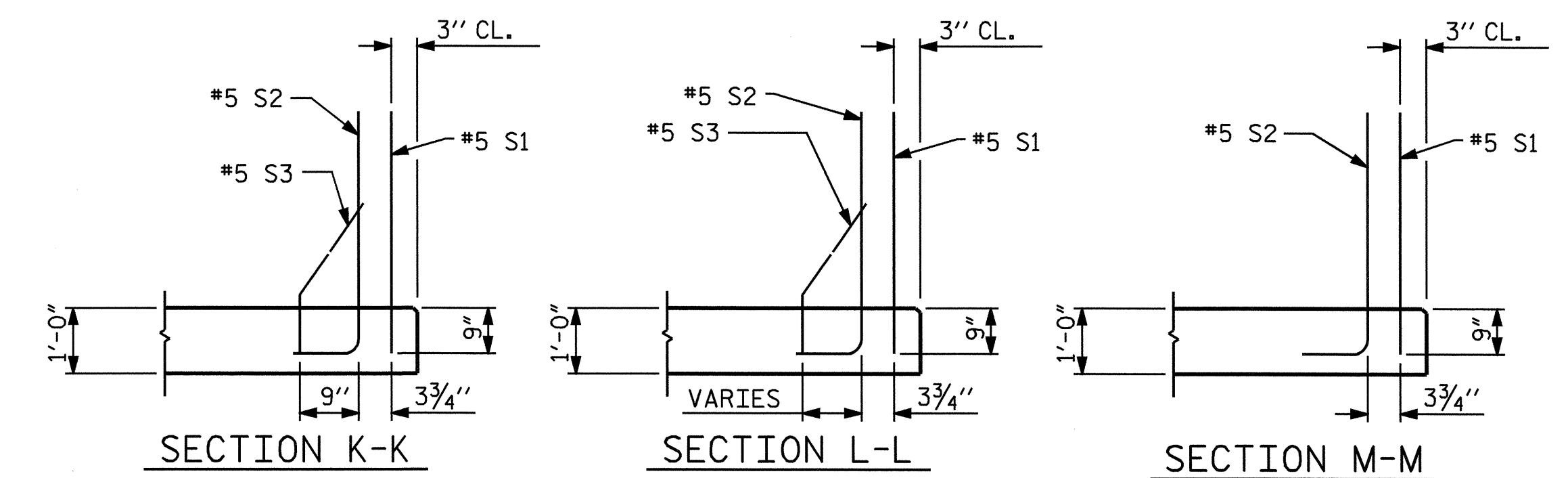


LEFT SIDE



RIGHT SIDE

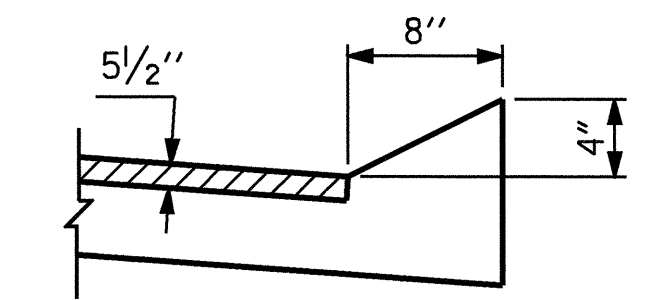
ARC OFFSETS AT END BENT No. 2



SECTION K-K

SECTION L-L

SECTION M-M



SECTION N-N

NOTES:

- ★ MEASURED RADIALLY
- "B" BARS SHALL BE PLACED PARALLEL TO THE APPROACH SLAB CHORD.
- "A" BARS SHALL BE PLACED PARALLEL TO THE BEGIN APPROACH SLAB FACE.



PROJECT NO. B-4047  
 BURKE COUNTY  
 STATION: 15+30.00 -L-

SHEET 2 OF 6

STATE OF NORTH CAROLINA DEPARTMENT OF TRANSPORTATION RALEIGH					
BRIDGE APPROACH SLAB FOR PRESTRESSED CONCRETE BOX BEAM WITH BARRIER RAIL					
REVISIONS					
NO.	BY:	DATE:	NO.	BY:	DATE:
1			3		
2			4		
					SHEET NO. S-20
					TOTAL SHEETS 24

DRAWN BY: A.V.ROYAL DATE: 8-05  
 CHECKED BY: A.R.CHESSON DATE: 8-05