

SUGGESTED MESSAGE
CMS #1

MESSAGE NO. 1	MESSAGE NO. 2
I-240 EB TRAFFIC	USE WOODFIN STREET

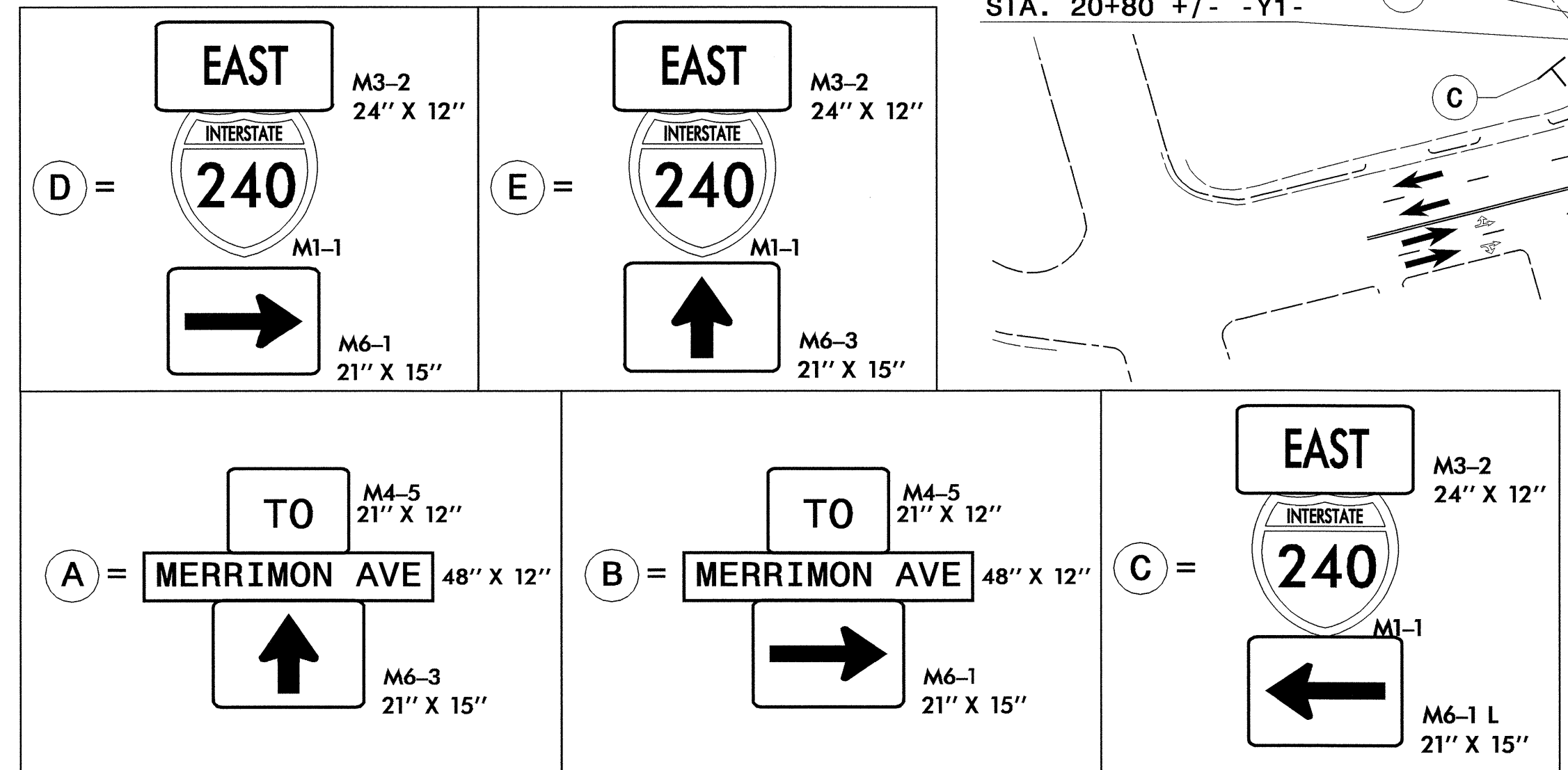
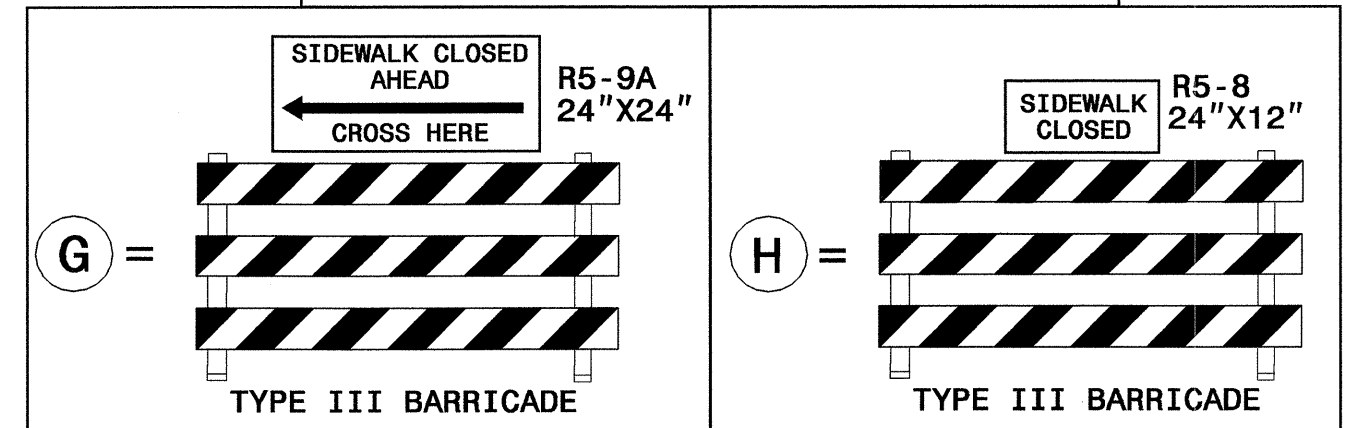
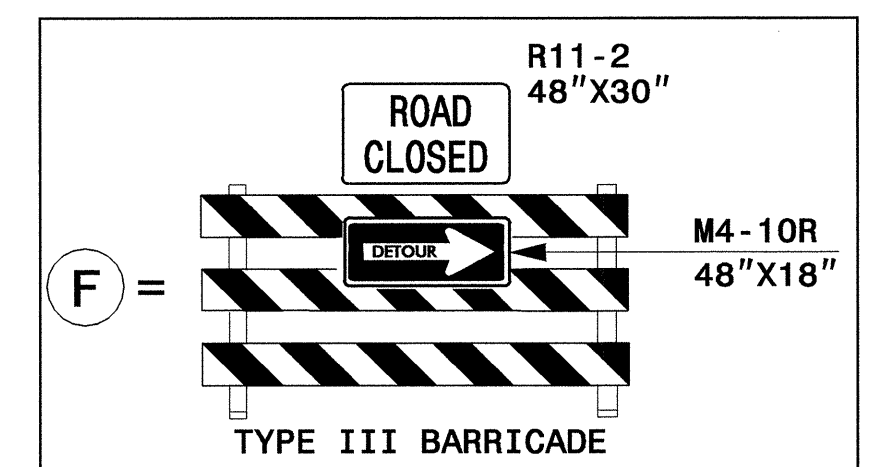
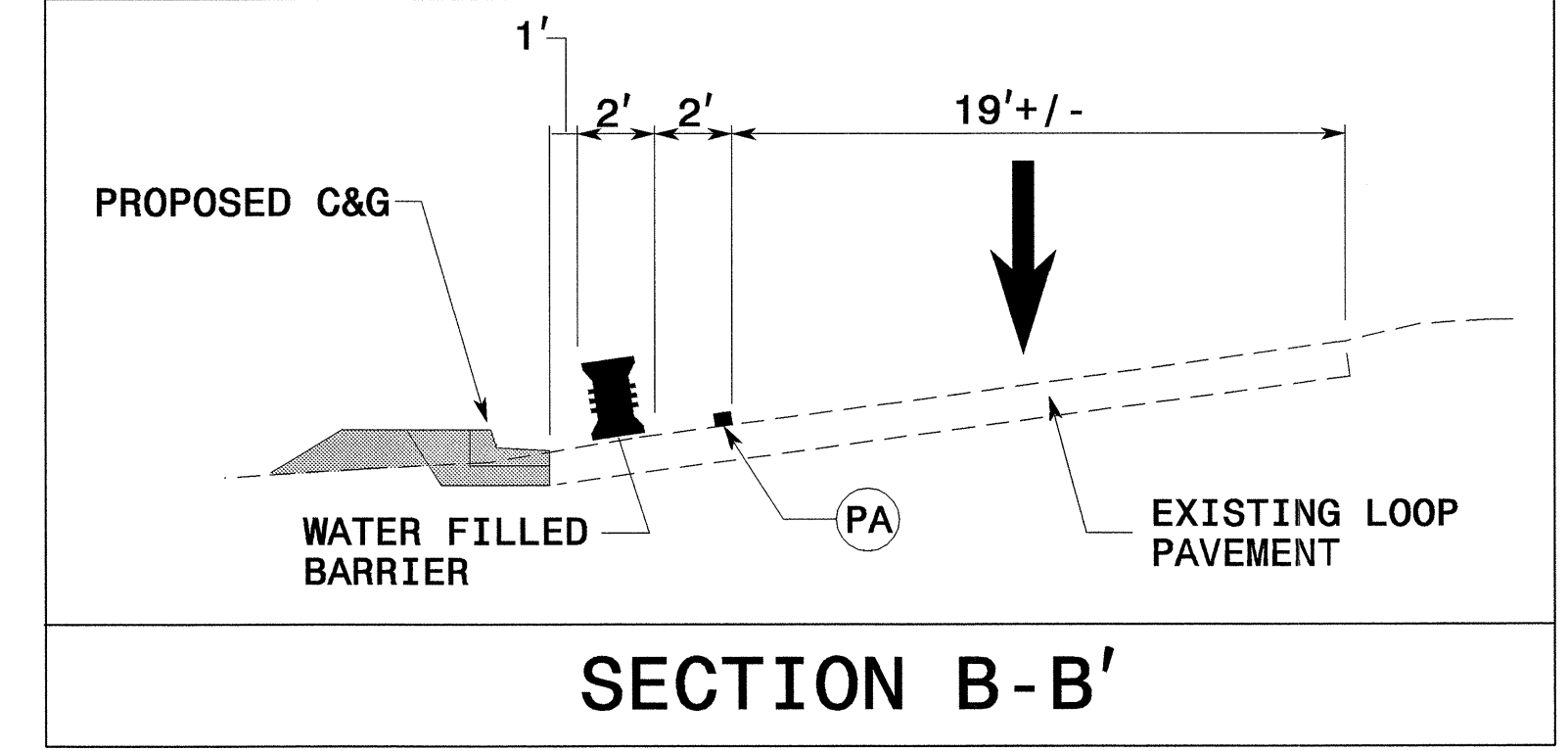
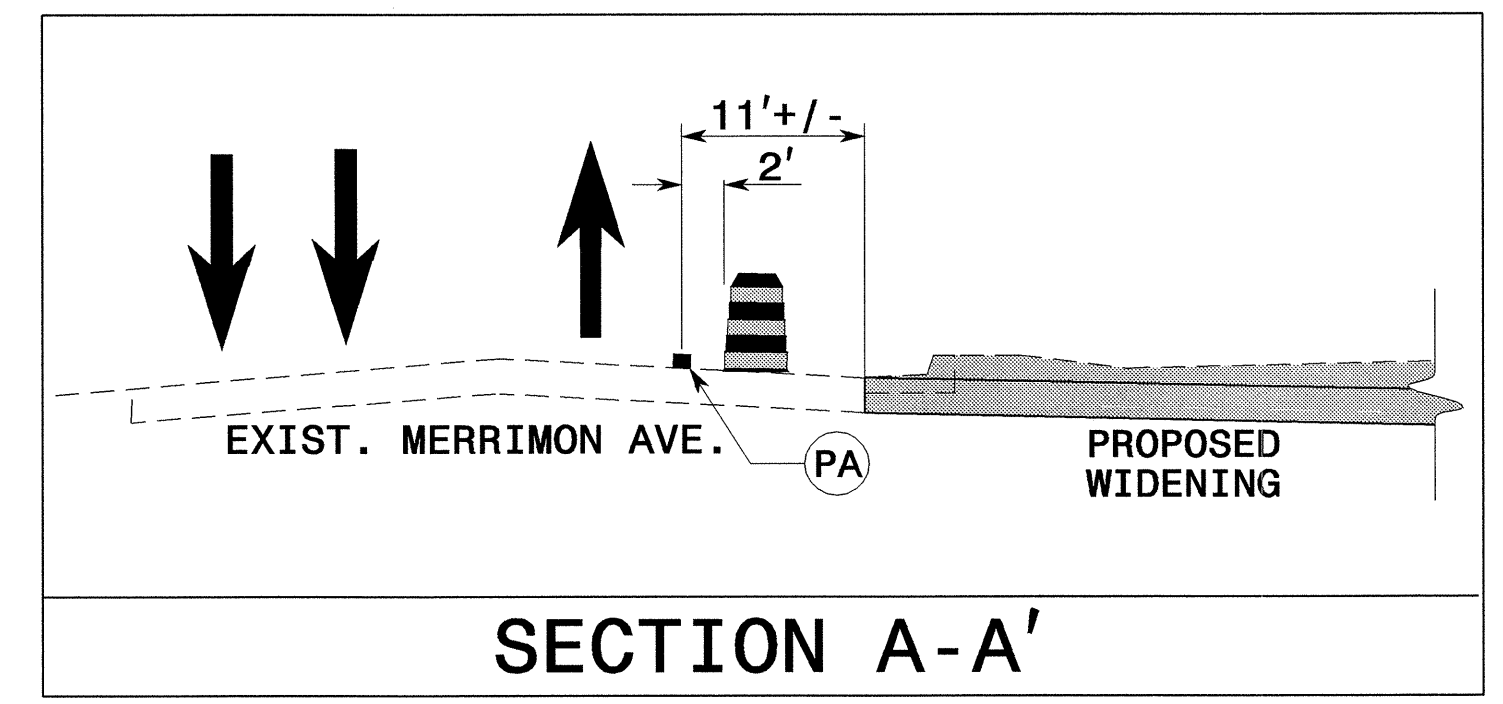
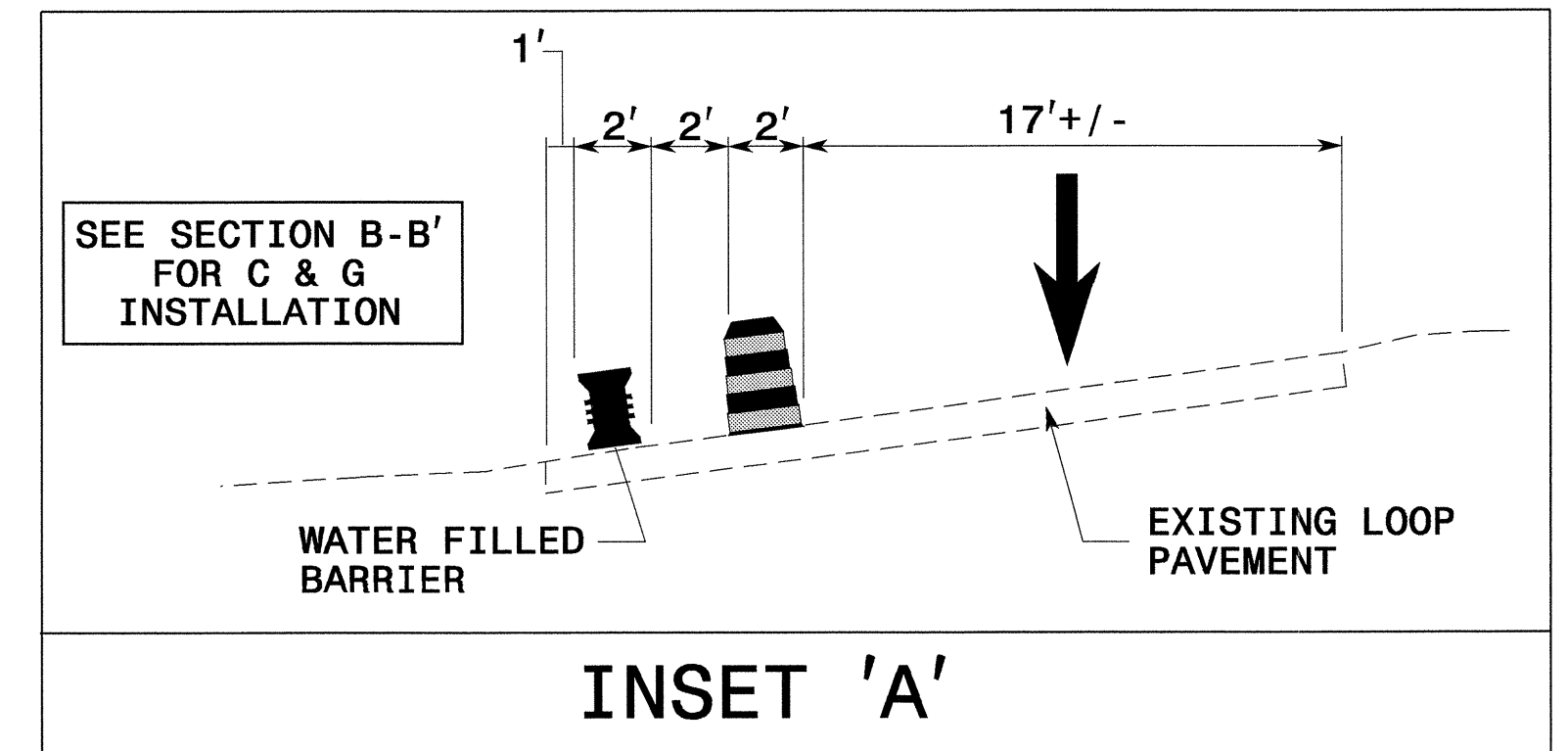
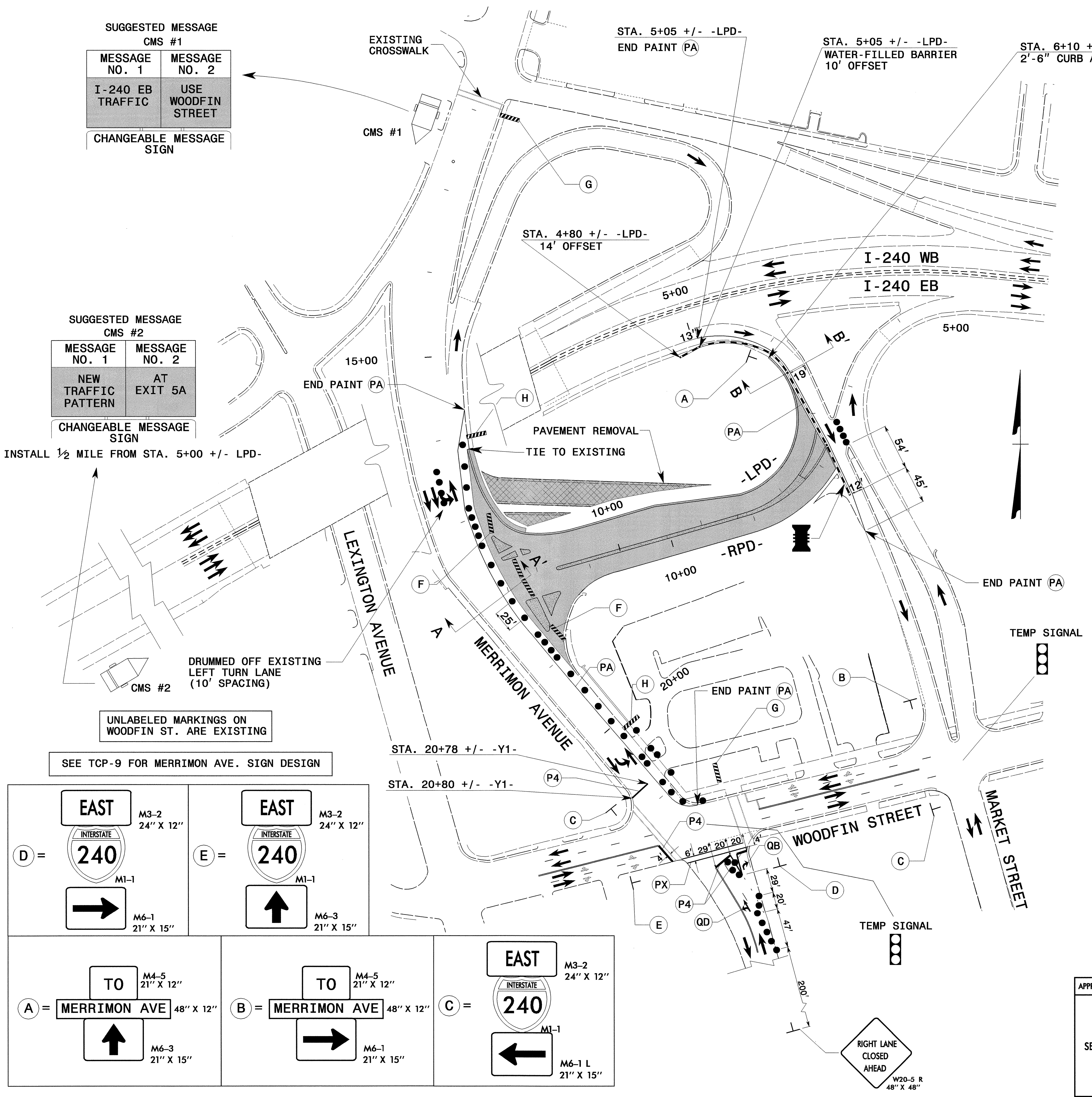
CHANGEABLE MESSAGE SIGN

SUGGESTED MESSAGE
CMS #2

MESSAGE NO. 1	MESSAGE NO. 2
NEW TRAFFIC PATTERN	AT EXIT 5A

CHANGEABLE MESSAGE SIGN

INSTALL 1/2 MILE FROM STA. 5+00 +/- LPD-



APPROVED: *John S. Kite, Jr.* DATE: 12/2/04

SEAL

PROFESSIONAL SEAL 022104

JOHN S. KITE, JR.

PHASE I

SCALE: NONE		REVISIONS
DATE:		
DESIGN BY:		
REVIEWED BY:		

21-DEC-2004 07:15 3028\TCP\REVISED TCP\5\U3302_TC_TCP05.dgn
 mstee@ncdot.gov AT TELC223