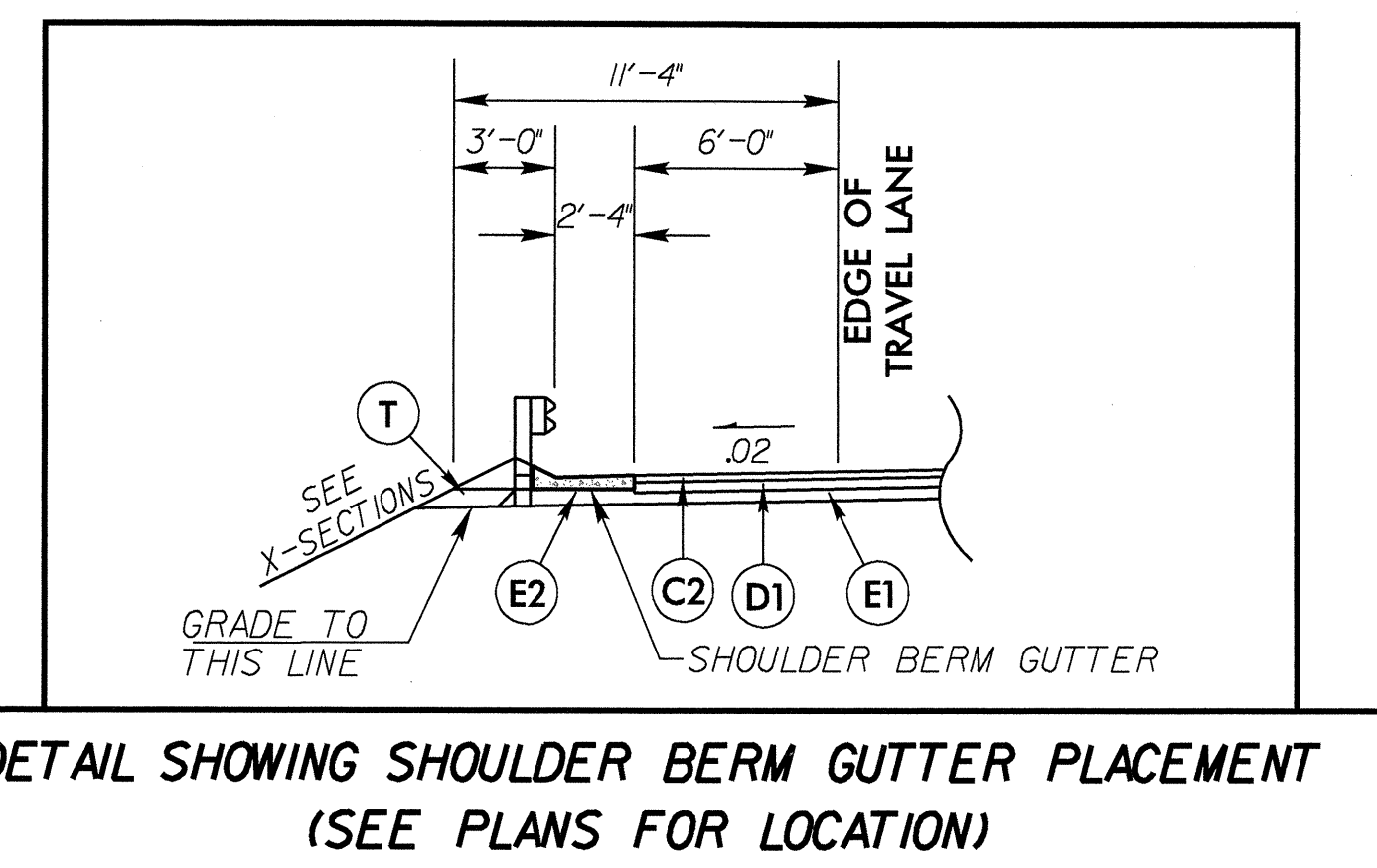
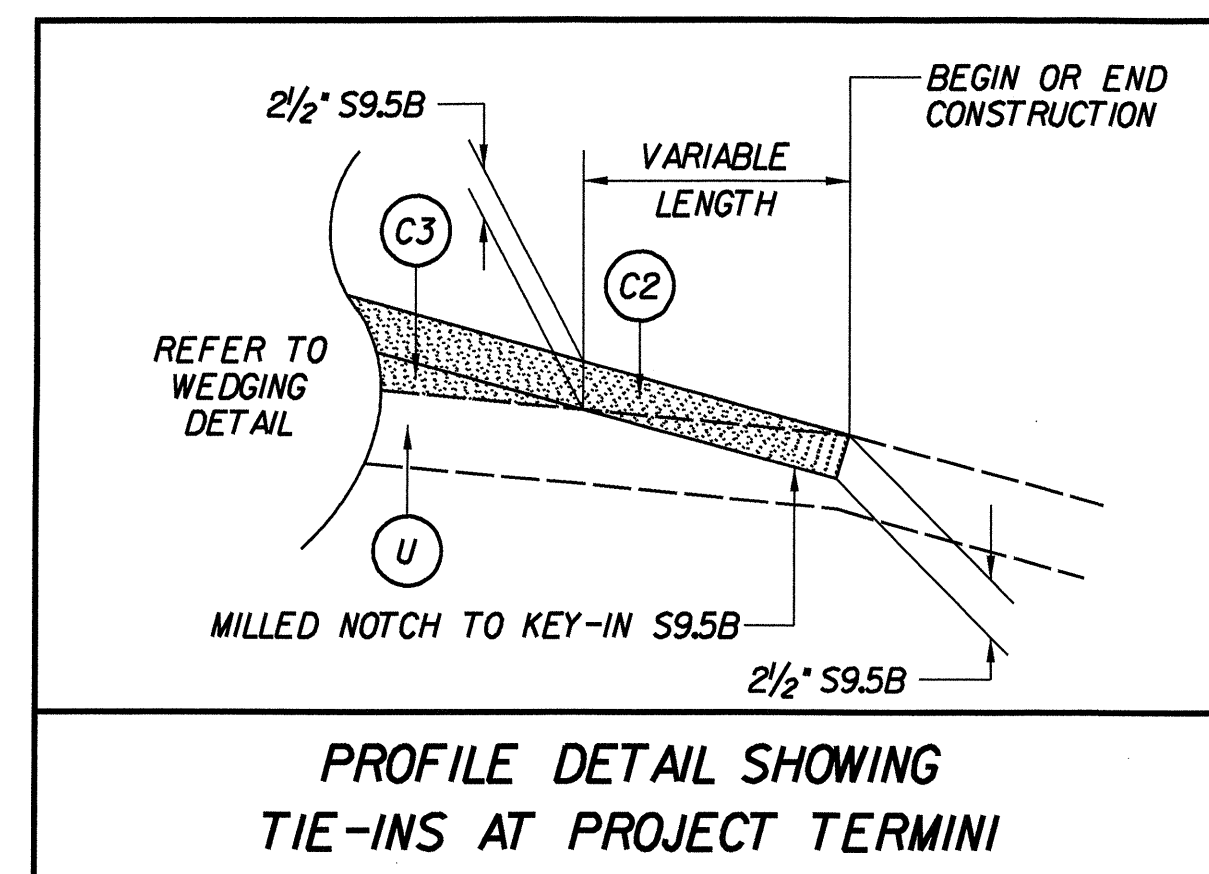
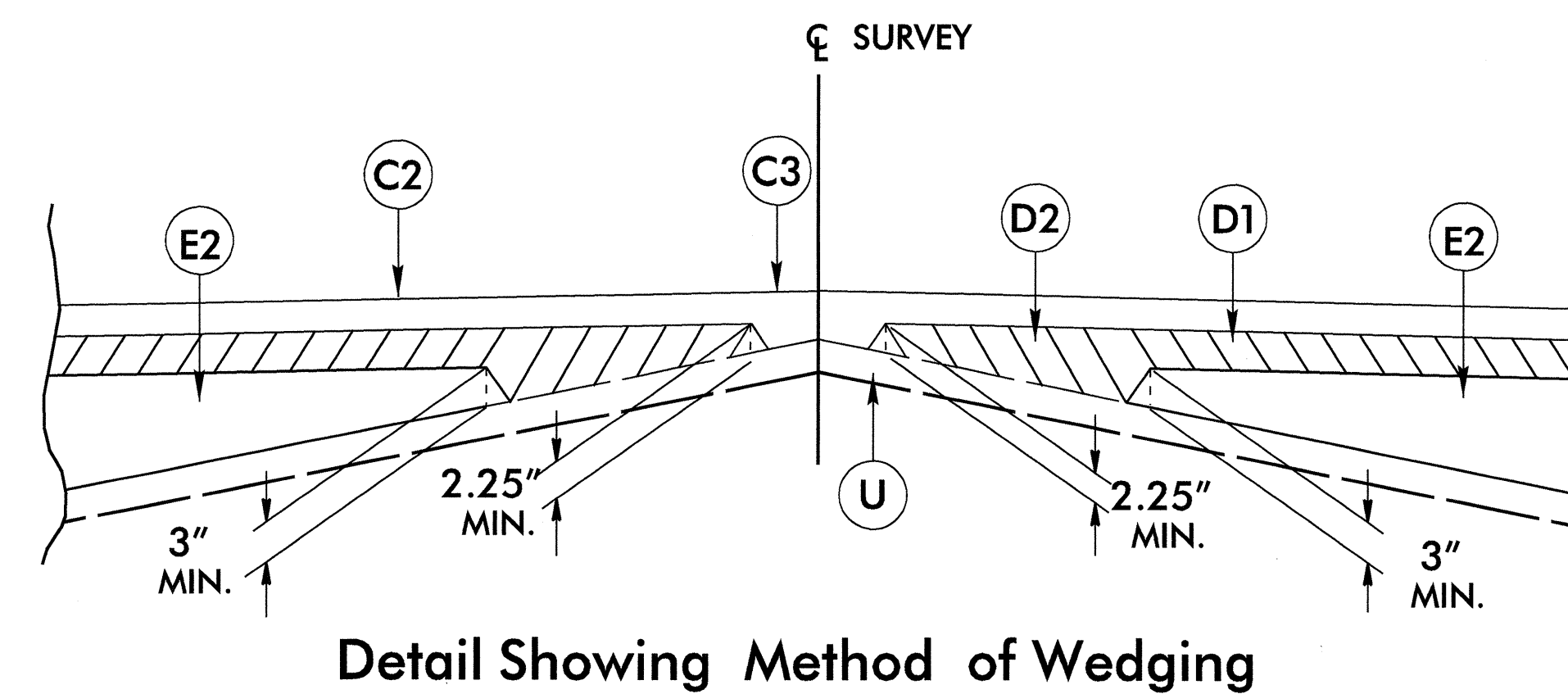
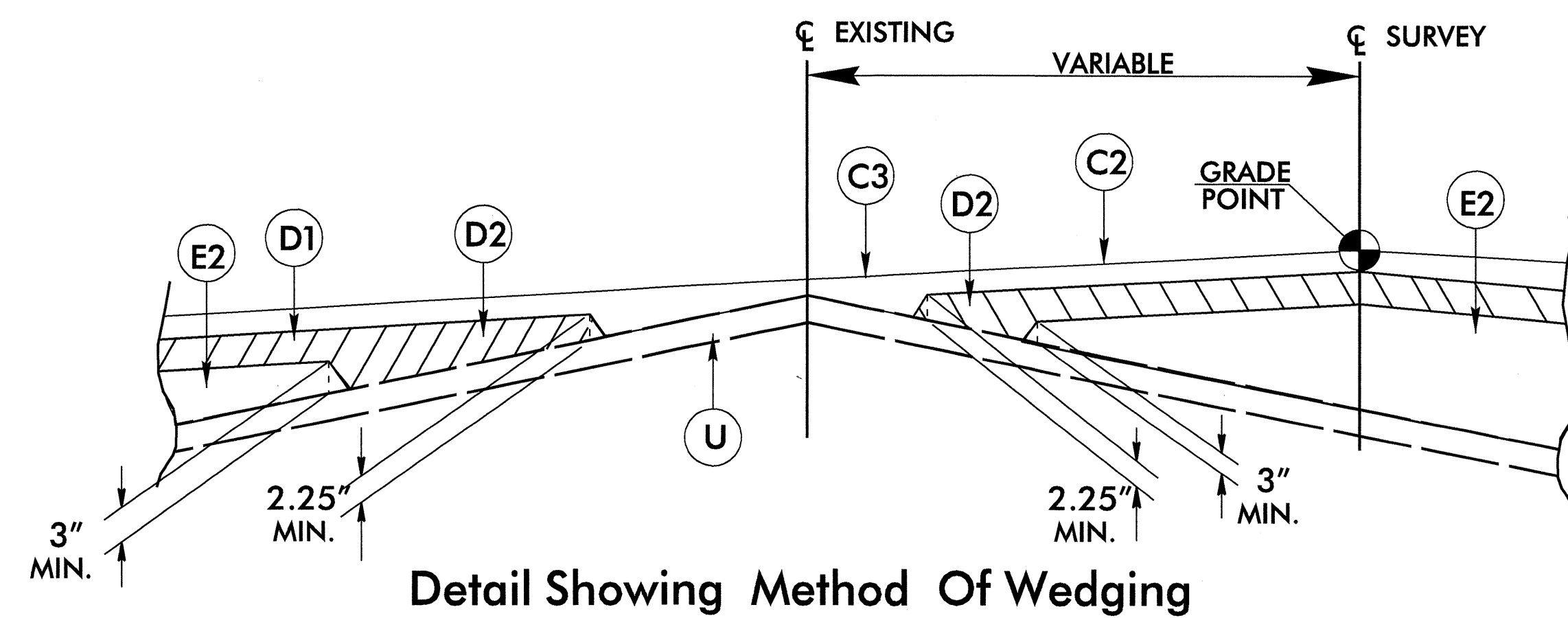


**USE TYPICAL SECTION NO. 4**

FROM -DR1- STA. 10+15.00 TO -DR1- STA 10+96.50

SEE PLANS FOR LOCATIONS OF TAPERS



PAVEMENT SCHEDULE	
C1	1½" S9.5B
C2	2½" S9.5B
C3	VAR. S9.5B
D1	3½" I19.0B
D2	VAR. DEPTH I19.0B
E1	4" B25.0B
E2	VAR. B25.0B
J1	6" ABC
T	EARTH MATERIAL.
U	EXISTING PAVEMENT
W	WEDGING

NOTE 1: PAVEMENT EDGE SLOPES ARE 1:1 UNLESS SHOWN OTHERWISE.  
NOTE 2: SEE SHEET 2 FOR DETAILED PAVEMENT SCHEDULE.

DATE: 9/20/2004  
 TIME: 09:32:08  
 USER: neilj  
 PATH: \\s01\pavement\proj\B3530\_rdg\_lyadgn  
 PROJ: C:\WINNT\TEMP\B3530.ZWRT