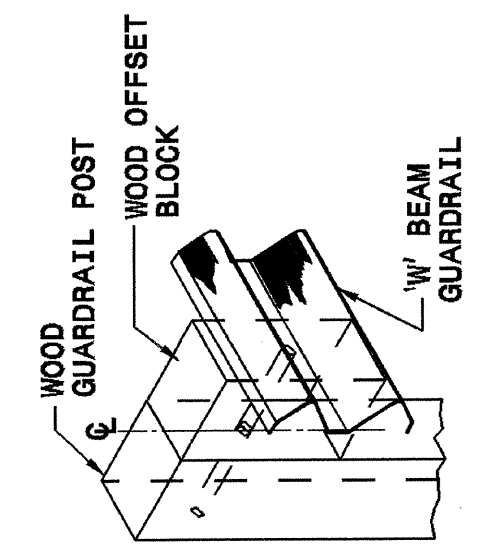
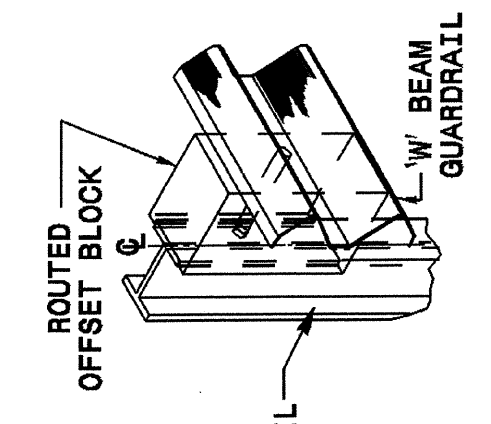
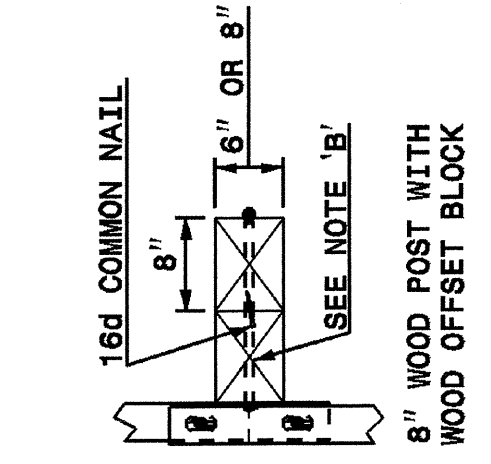
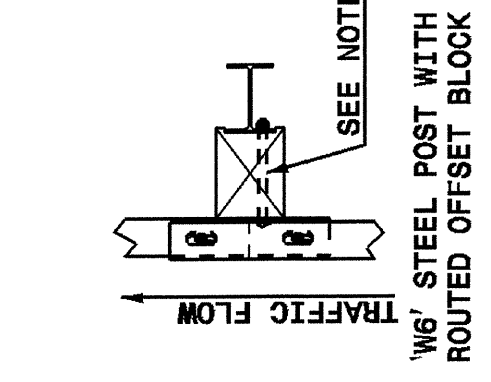
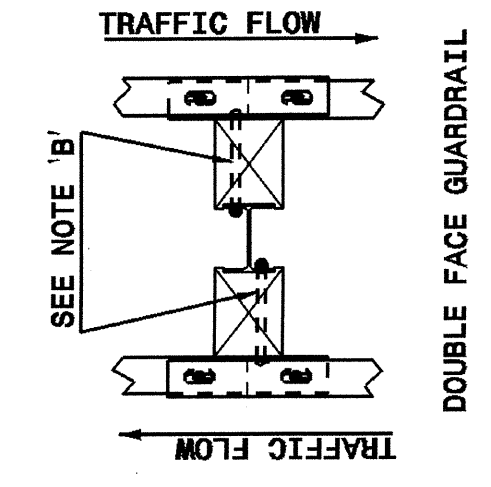


22-MAY-2003 13:39
 W:\Special Details\viewer\stds\02: Stds to Special Details\english\86202\0862d02.dgn
 erieword AT US212260

5/14/99

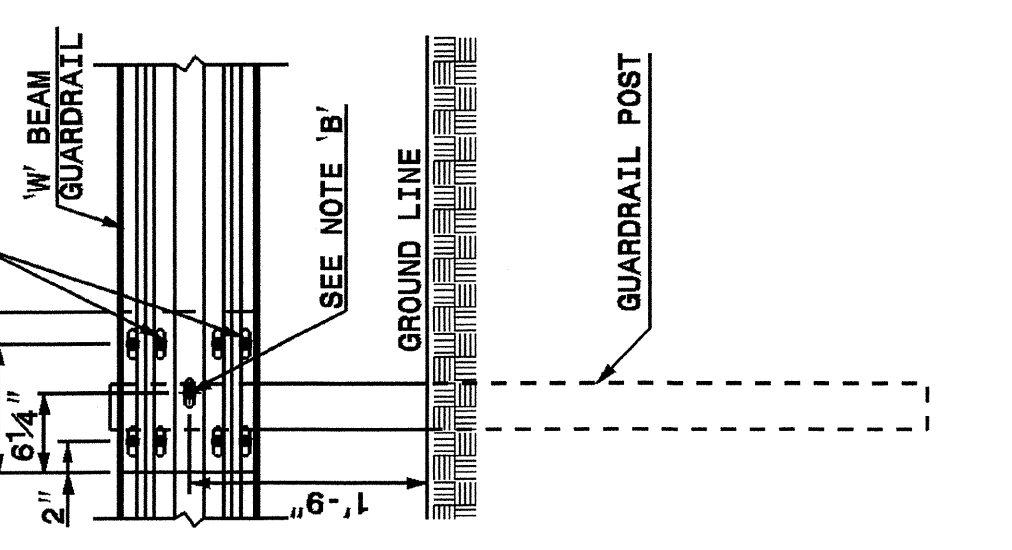
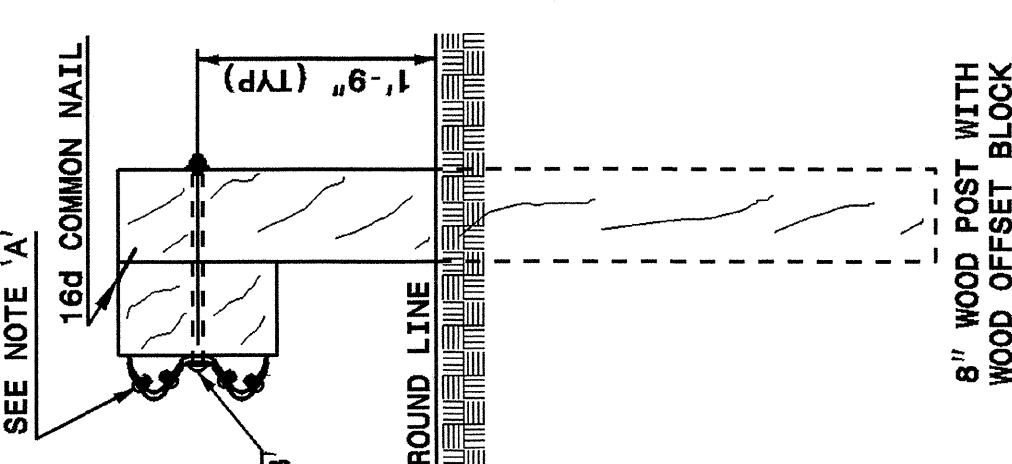
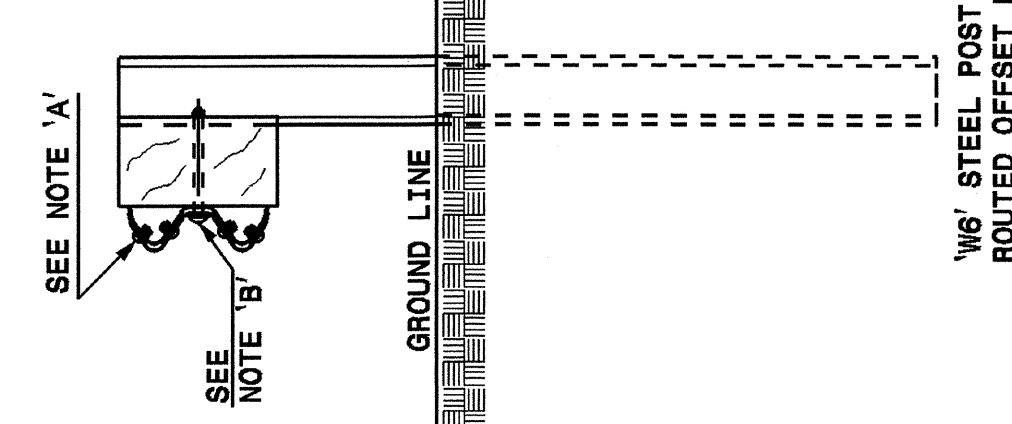
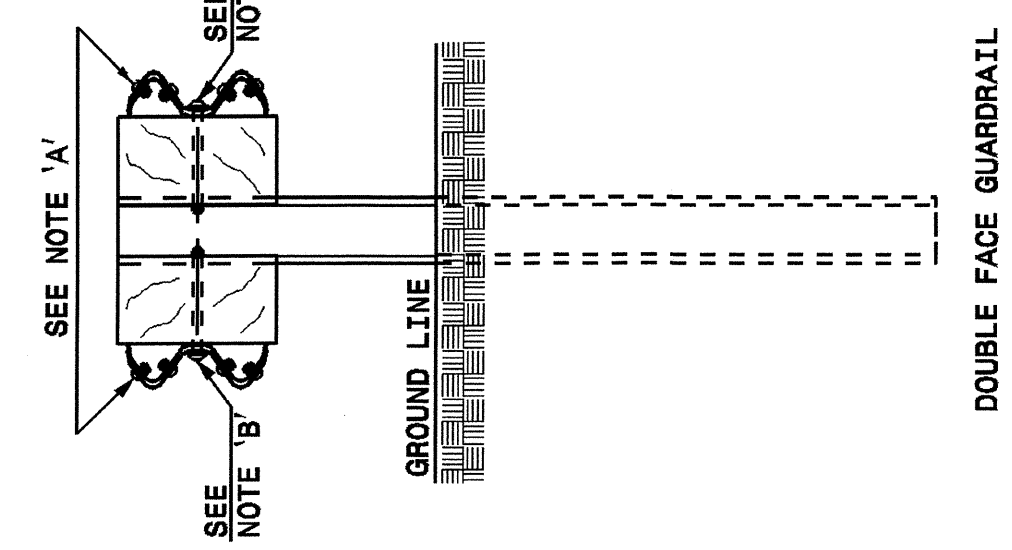
STATE OF
 NORTH CAROLINA
 DEPT. OF TRANSPORTATION
 DIVISION OF HIGHWAYS
 RALEIGH, N.C.

STATE OF
 NORTH CAROLINA
 DEPT. OF TRANSPORTATION
 DIVISION OF HIGHWAYS
 RALEIGH, N.C.



PLAN

ISOMETRIC VIEWS



FRONT

FRONT

FRONT

ENGLISH DETAIL DRAWING FOR
GUARDRAIL INSTALLATION

ENGLISH DETAIL DRAWING FOR
GUARDRAIL INSTALLATION

NOTES:
 A - 5/8" DIA. BUTTON HEAD SPLICE BOLT 11 1/2" LONG WITH STD. WASHER UNDER NUT (8 REQ. PER SPLICE JOINT).
 B - 5/8" DIA. BUTTON HEAD BOLT 7 1/2" LONG WITH NUT FOR BOLTING 6" WOOD ROUNDED OFFSET BLOCK TO STEEL POSTS OR
 C - 5/8" DIA. BUTTON HEAD BOLT 18" LONG WITH STD. WASHER UNDER NUT FOR BOLTING TO WOOD POSTS (1 REQ. PER LOCATION)
 C - FIELD PUNCHING OF HOLES INTO GUARDRAIL SHALL BE AS DIRECTED BY THE ENGINEER.

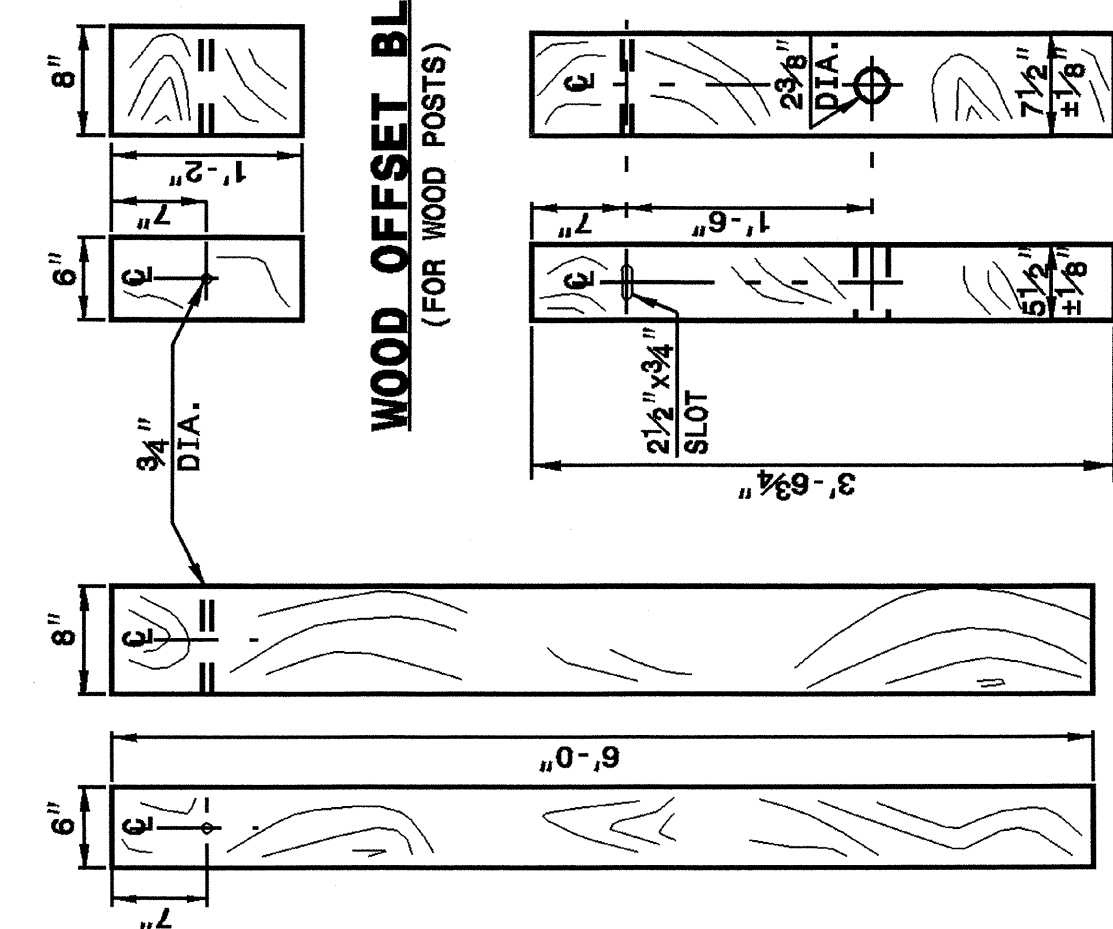
TYPICAL GUARDRAIL AND GUARDRAIL POST ALTERNATIVES

SHEET 3 OF 7
862D02

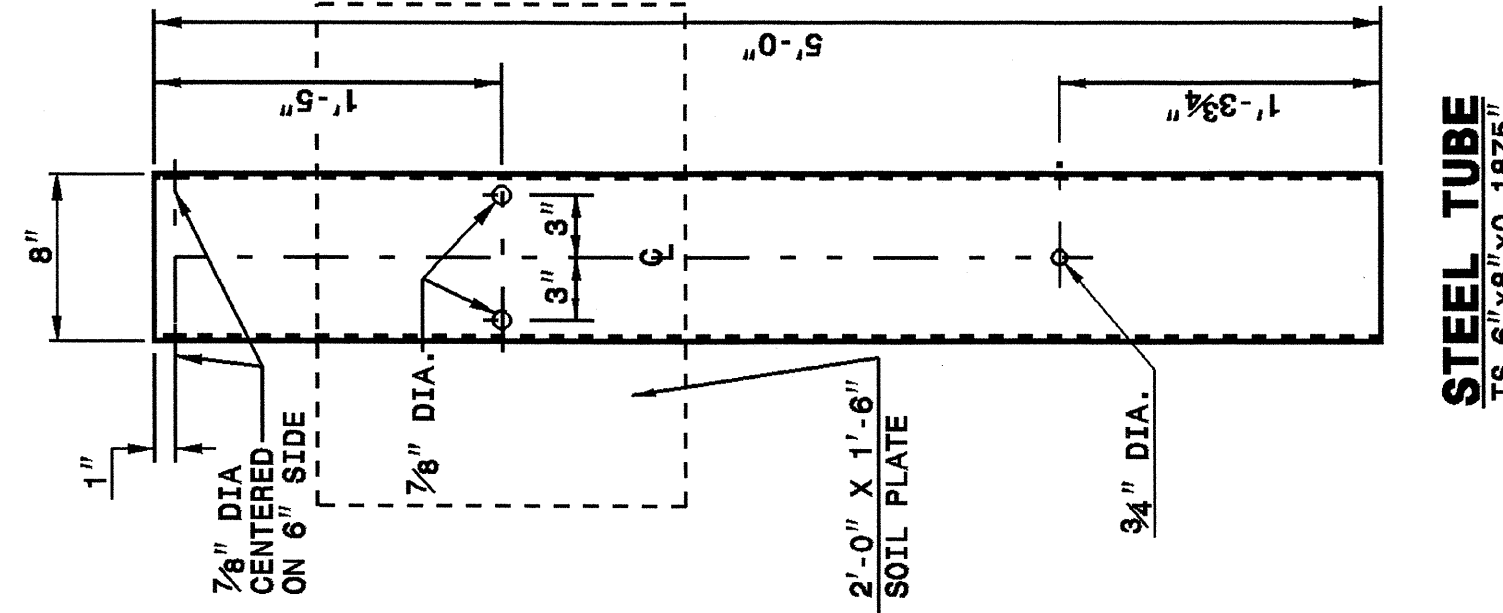
SHEET 3 OF 7
862D02

STATE OF
 NORTH CAROLINA
 DEPT. OF TRANSPORTATION
 DIVISION OF HIGHWAYS
 RALEIGH, N.C.

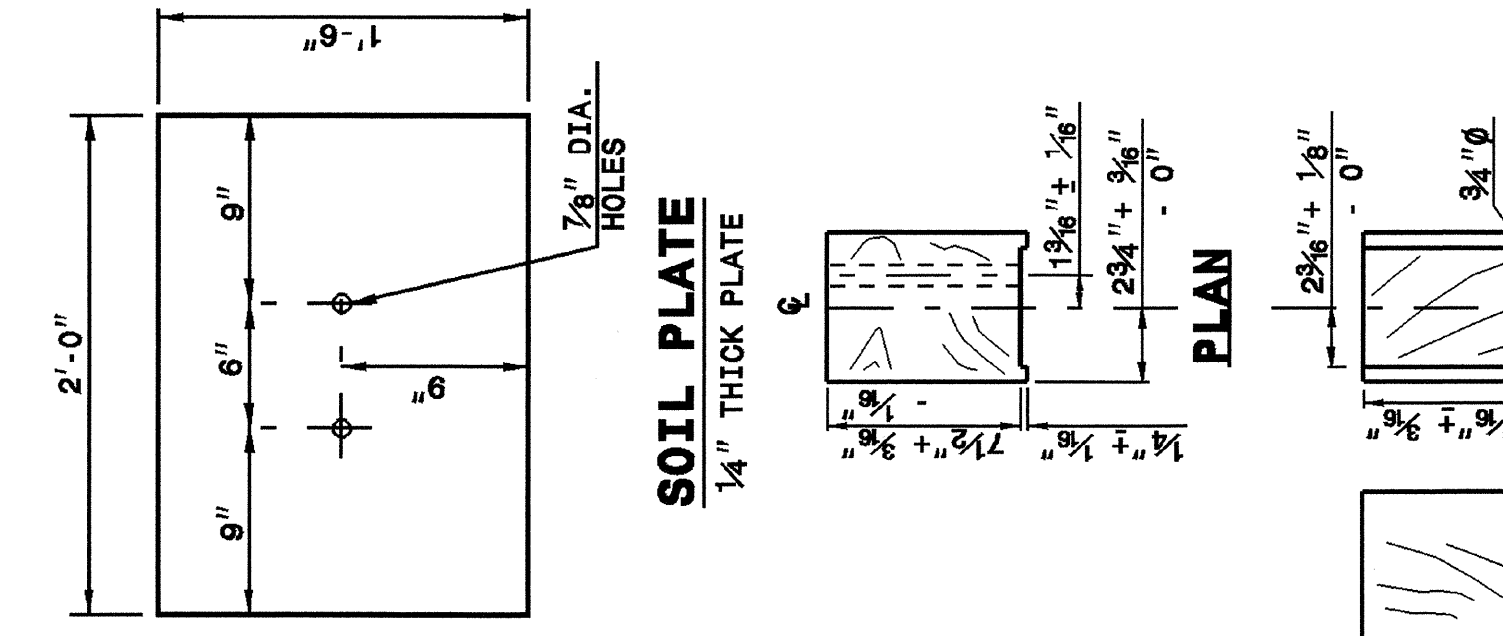
STATE OF
 NORTH CAROLINA
 DEPT. OF TRANSPORTATION
 DIVISION OF HIGHWAYS
 RALEIGH, N.C.



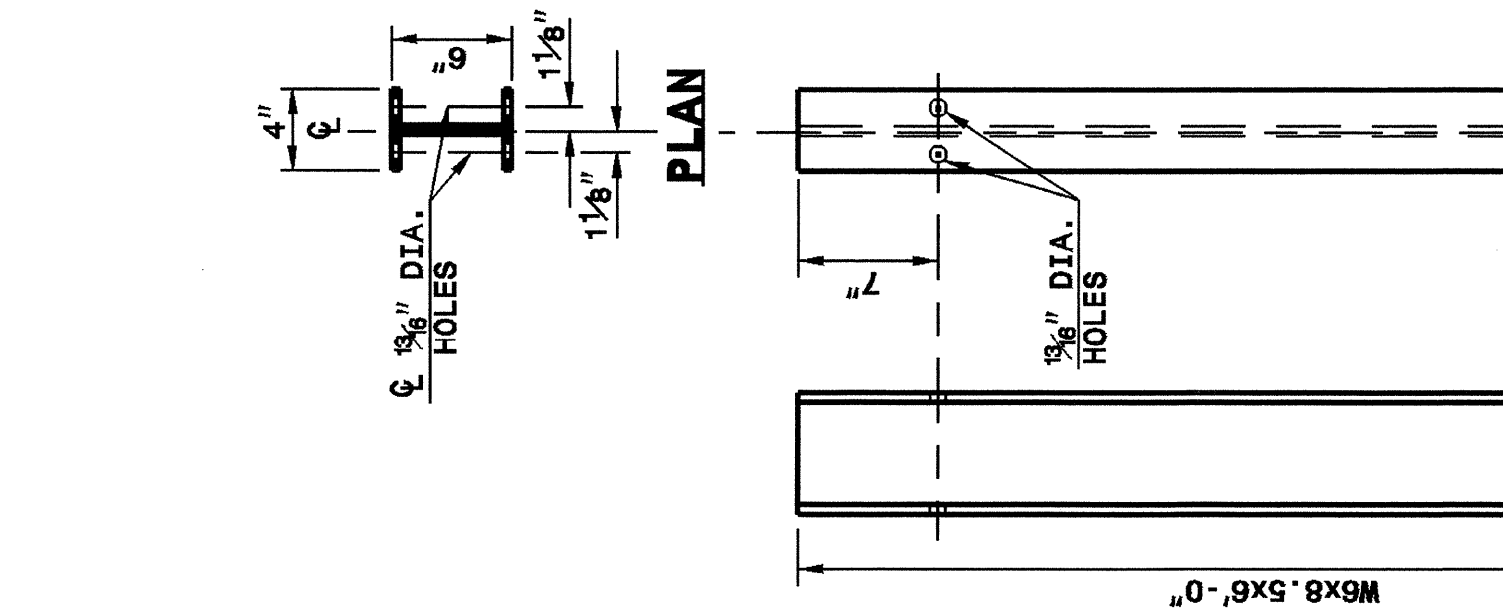
WOOD OFFSET BLOCK
 (FOR WOOD POSTS)



STEEL TUBE
 TS 6" X 8" X 0.1875"



SOIL PLATE
 1/4" THICK PLATE



BEARING PLATE
 5/8" THICK PLATE

ROUTED WOOD OFFSET BLOCK

"W6" STEEL POST

SHORT WOOD BREAKAWAY POST

STANDARD LINE POST

ENGLISH DETAIL DRAWING FOR
GUARDRAIL INSTALLATION

ENGLISH DETAIL DRAWING FOR
GUARDRAIL INSTALLATION

SHEET 4 OF 7
862D02

SHEET 4 OF 7
862D02

SYSTEM PARTS

DESIGN SERVICES UNIT
STANDARDS AND SPECIAL DESIGN
 Office 919-250-4128 FAX 919-250-4119

SEE PLATE FOR TITLE

ORIGINAL BY: 2002 STD. 862.02 DATE: _____
 MODIFIED BY: E.E. WARD DATE: 02-09-03
 CHECKED BY: _____ DATE: _____
 FILE SPEC.: /usr/stds/02todetail/english/86202/862d02.dgn

