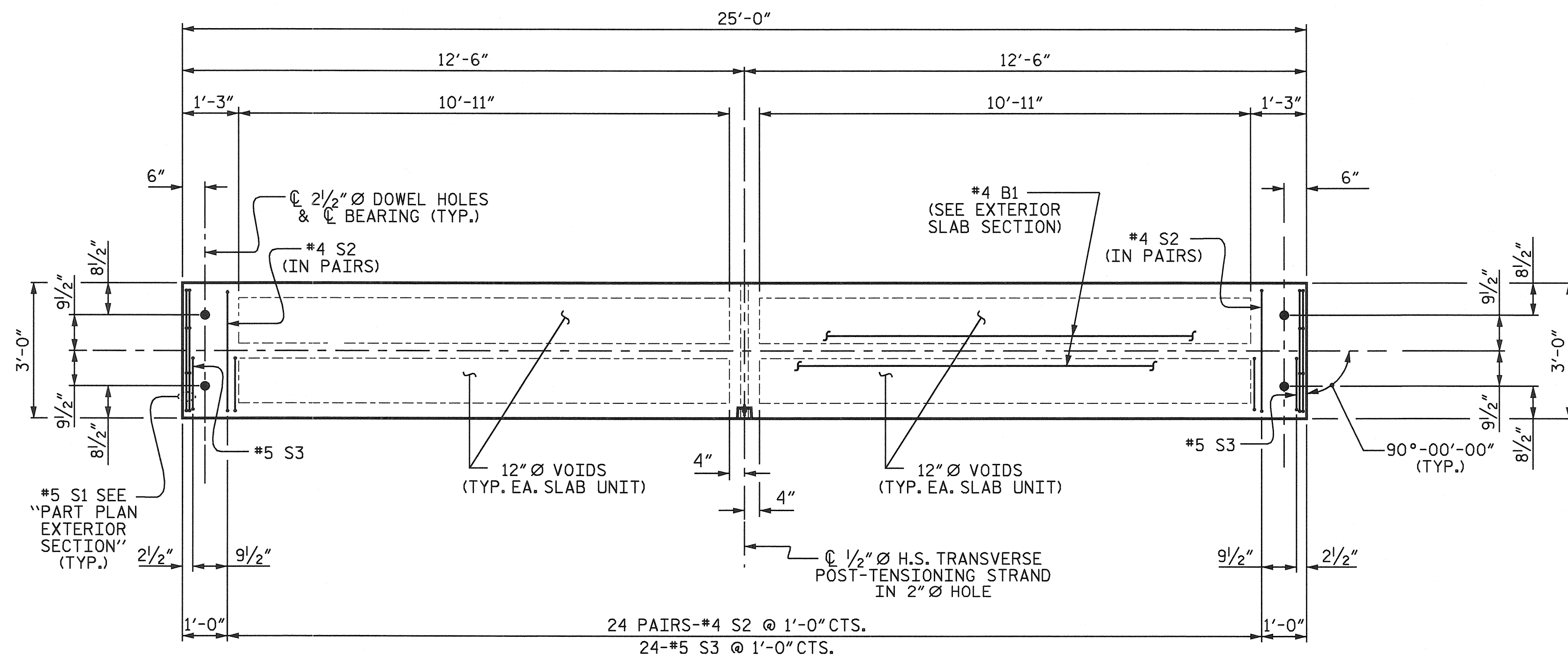


PLAN OF INTERIOR SLAB



PLAN OF EXTERIOR SLAB

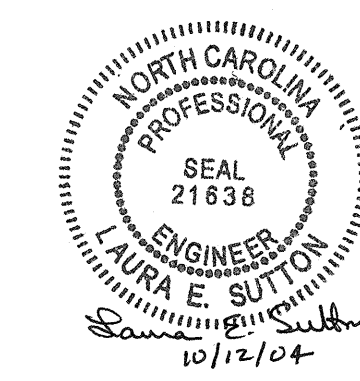
PROJECT NO. B-3530  
WAKE COUNTY  
 STATION: 15+83.00-L-

SHEET 1 OF 2

STATE OF NORTH CAROLINA  
 DEPARTMENT OF TRANSPORTATION  
 RALEIGH

3'-0" x 1'-9"  
 PRESTRESSED CONCRETE  
 CORED SLAB UNIT  
 DETAILS  
 SPANS A & C

REVISIONS						SHEET NO.
NO.	BY:	DATE:	NO.	BY:	DATE:	S-7
1			3			TOTAL SHEETS
2			4			21



03-SEP-2004 11:55  
 W:\Supt\proj\B3530\jwalton\B3530\_sd\_cs.01.dgn  
 DRAWN BY: J.L. WALTON DATE: 9/2/03  
 CHECKED BY: B.N. BARODAWALA DATE: 2/19/04