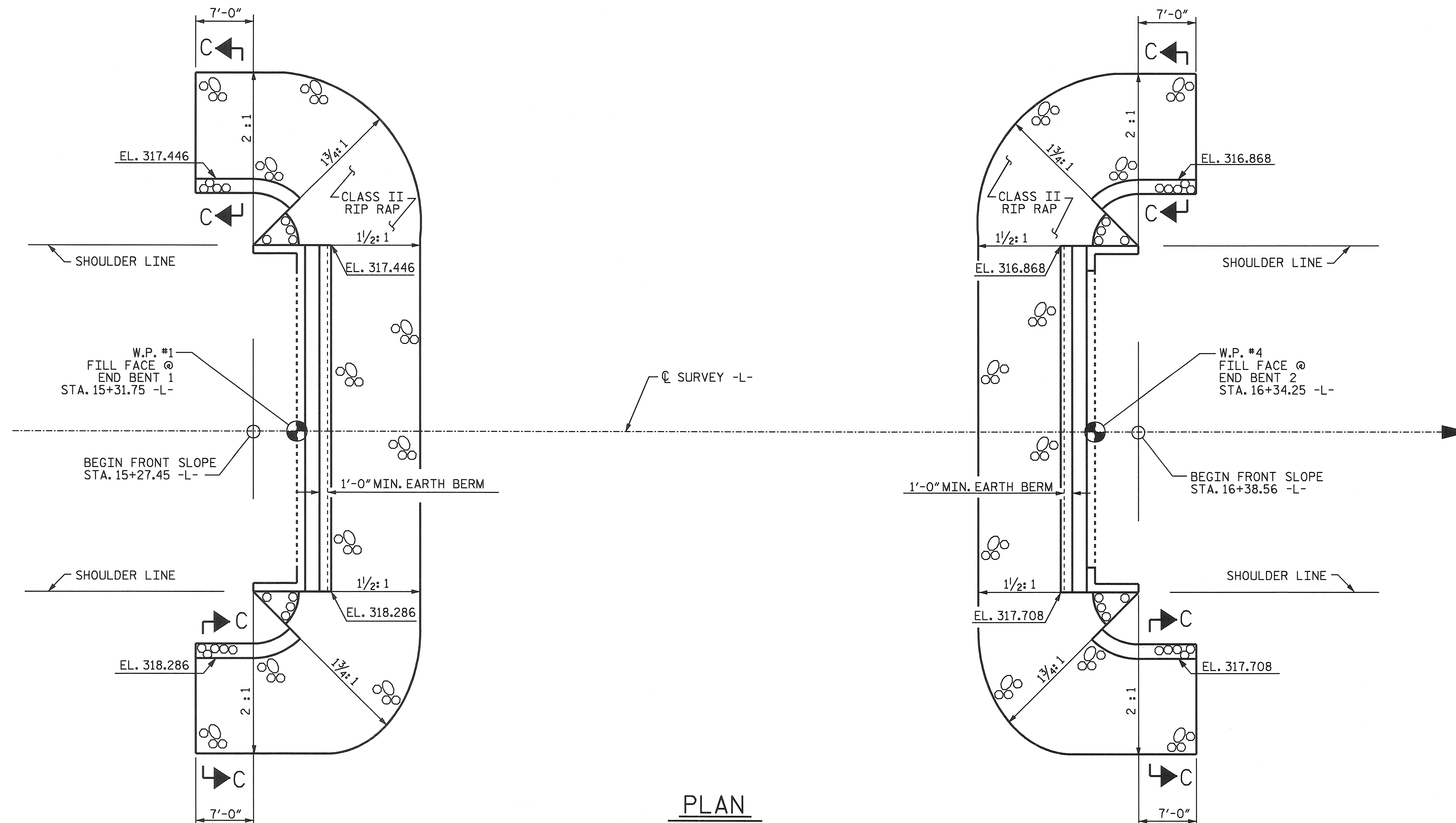
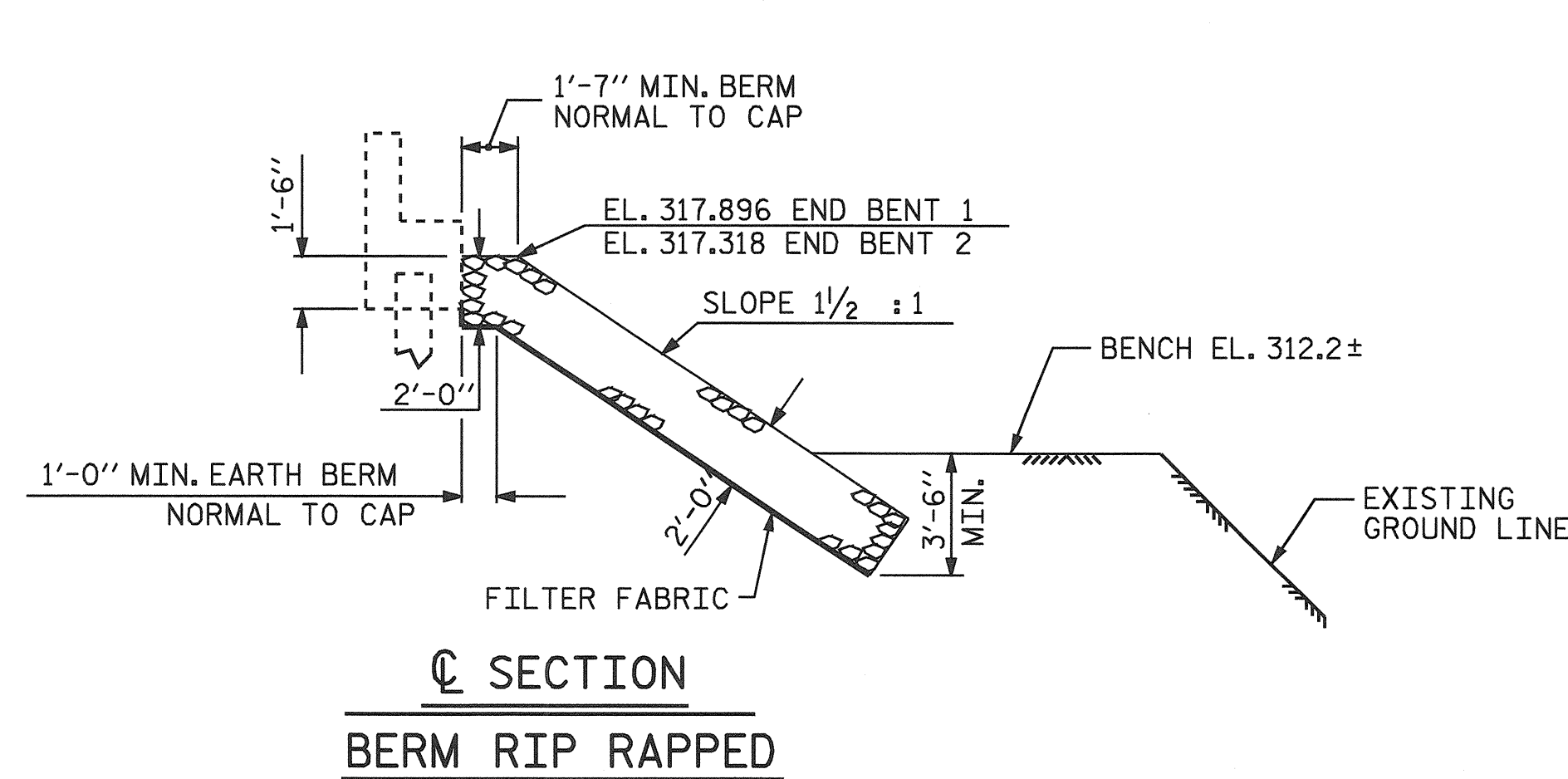


NOTES :
 FOR BERM WIDTH DIMENSIONS, SEE GENERAL DRAWING.
 THE COST OF THE FILTER FABRIC SHALL BE INCLUDED IN THE CONTRACT PRICE BID FOR PLAIN RIP RAP CLASS II.

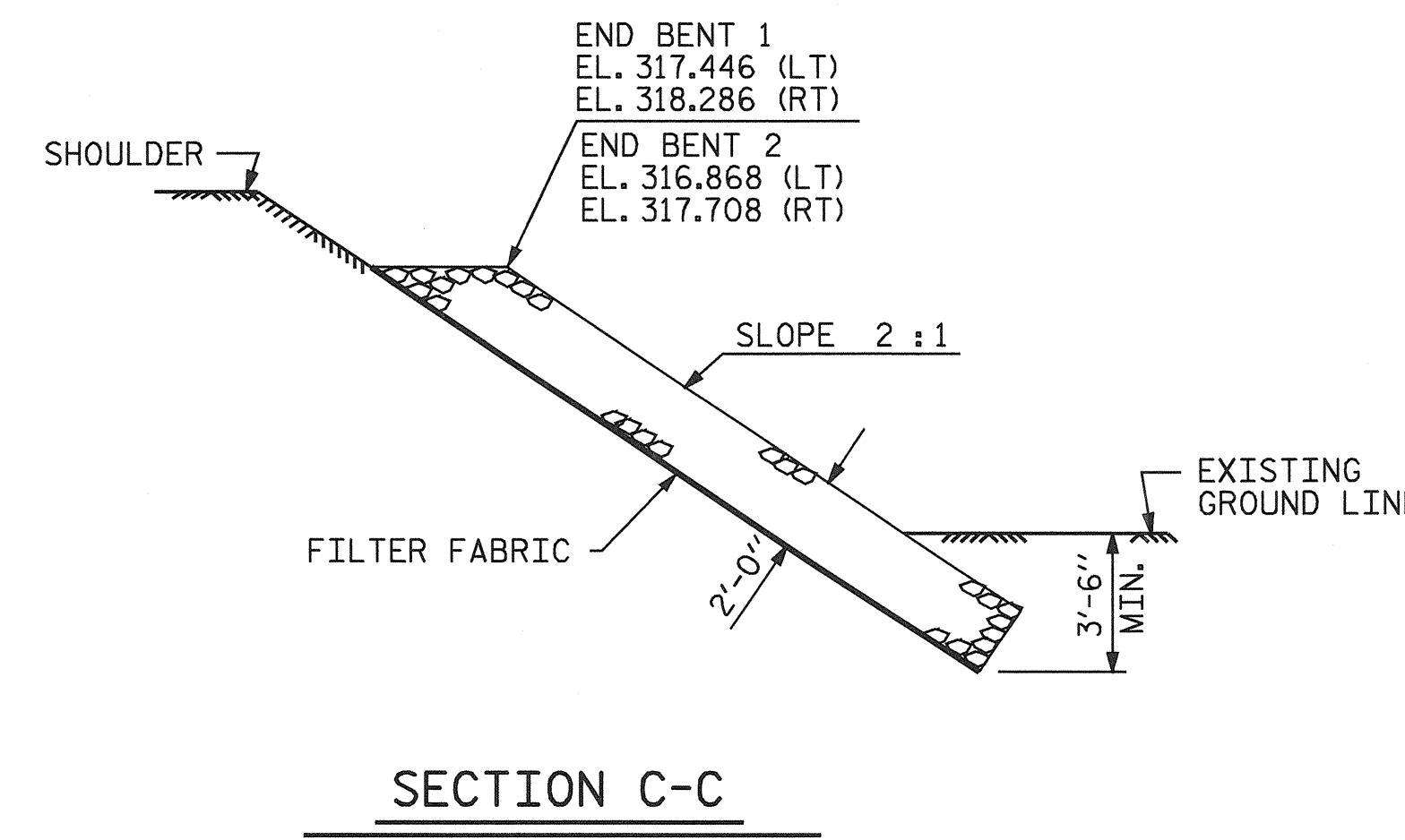


PLAN

ESTIMATED QUANTITIES		
BRIDGE @ STA. 15+83.00 -L-	PLAIN RIP RAP CLASS II	FILTER FABRIC FOR DRAINAGE
	TONS	SQUARE YARDS
END BENT 1	130	145
END BENT 2	118	131



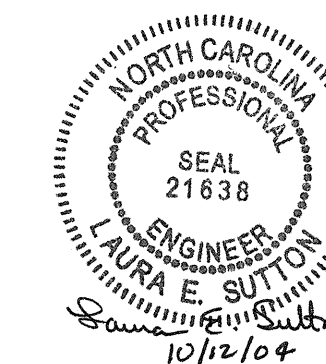
SECTION
BERM RIP RAPPED



SECTION C-C

PROJECT NO. B-3530
WAKE COUNTY
 STATION: 15+83.00 -L-

STANDARD
 RIP RAP DETAILS



ASSEMBLED BY : A.S. CALLAWAY DATE : 9/13/04
 CHECKED BY : L.E. SUTTON DATE : 9/14/04
 DRAWN BY : FCJ 2/88 REV. 7/17/98 REK/RWW
 CHECKED BY : ARB 8/88 REV. 8/16/99 RWW/LES
 REV. 10/17/00 RWW/LES

REVISIONS						SHEET NO.
NO.	BY:	DATE:	NO.	BY:	DATE:	S-18
1			3			TOTAL SHEETS
2			4			21