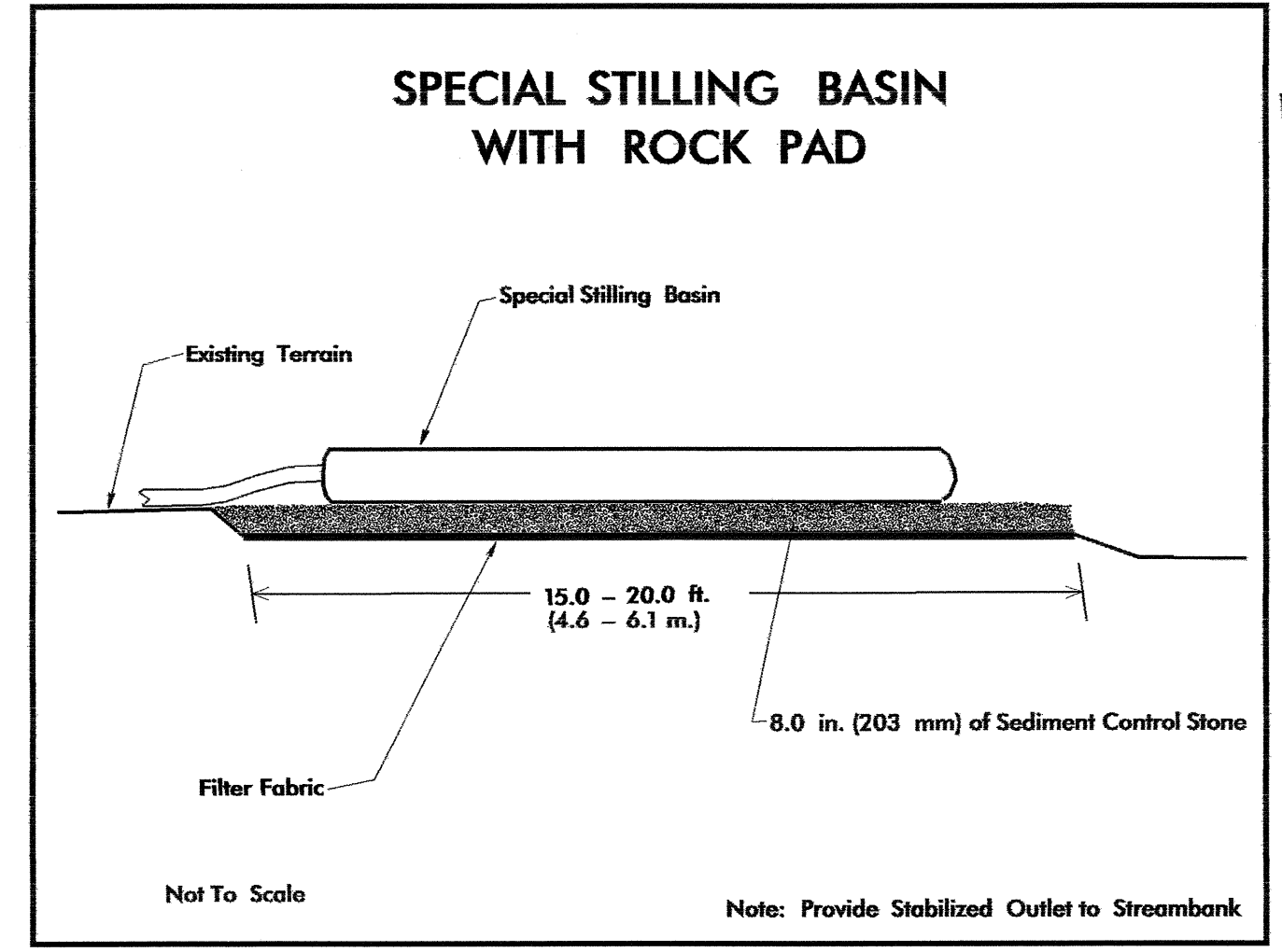
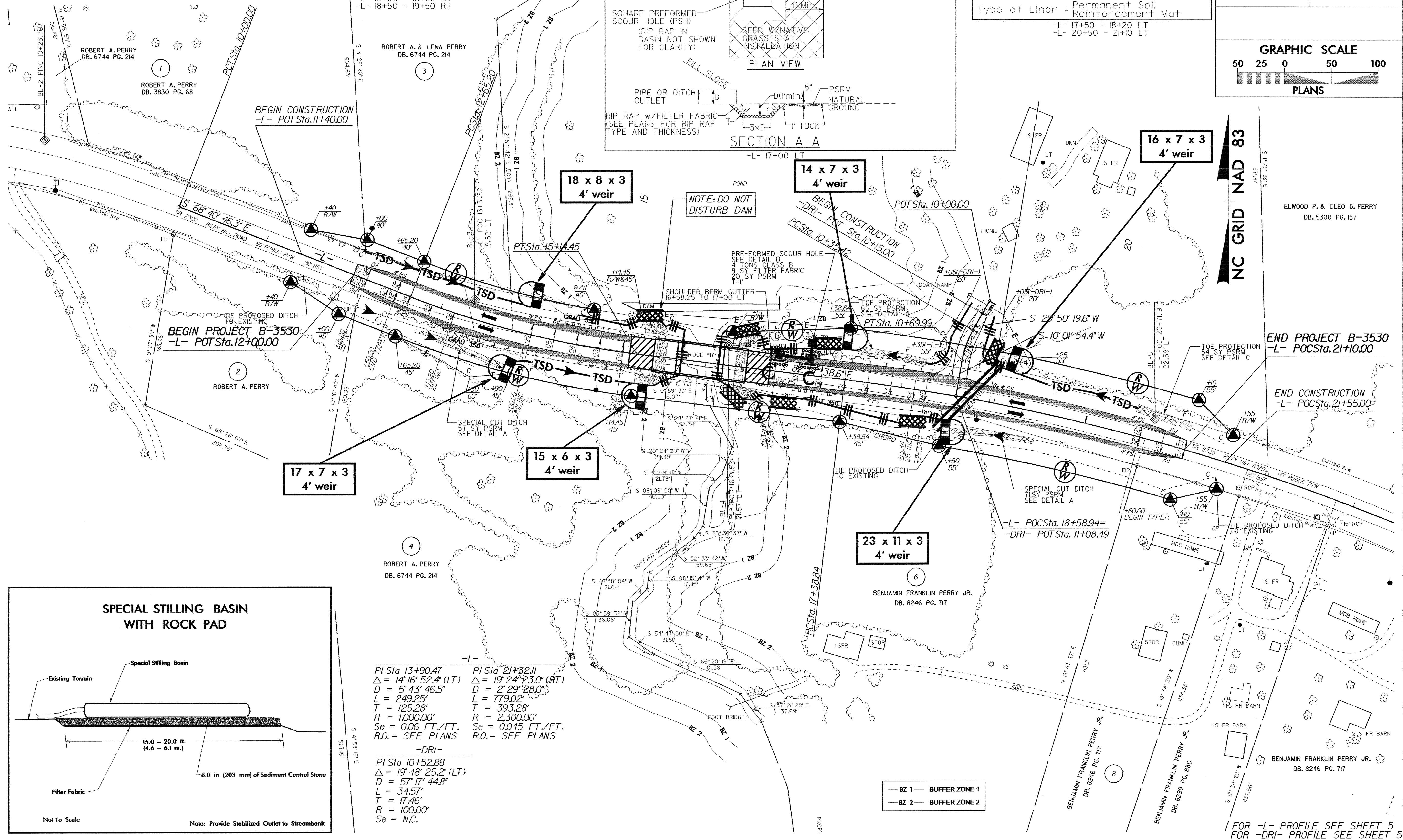
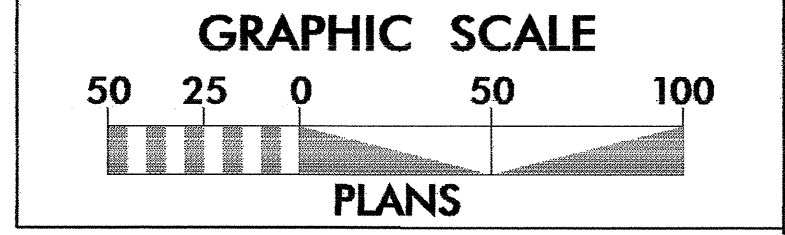
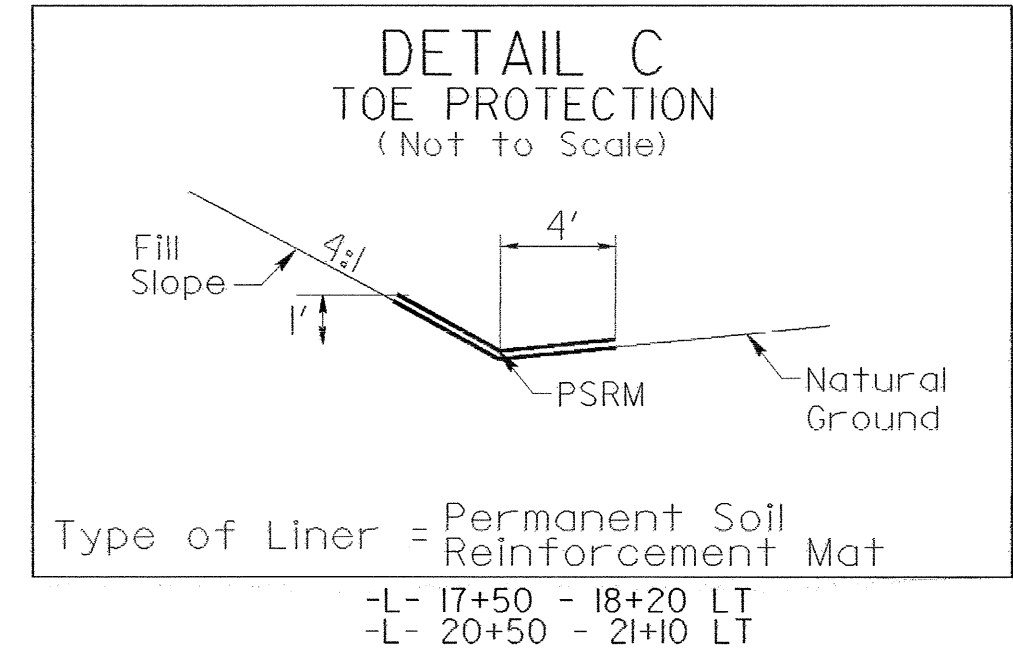
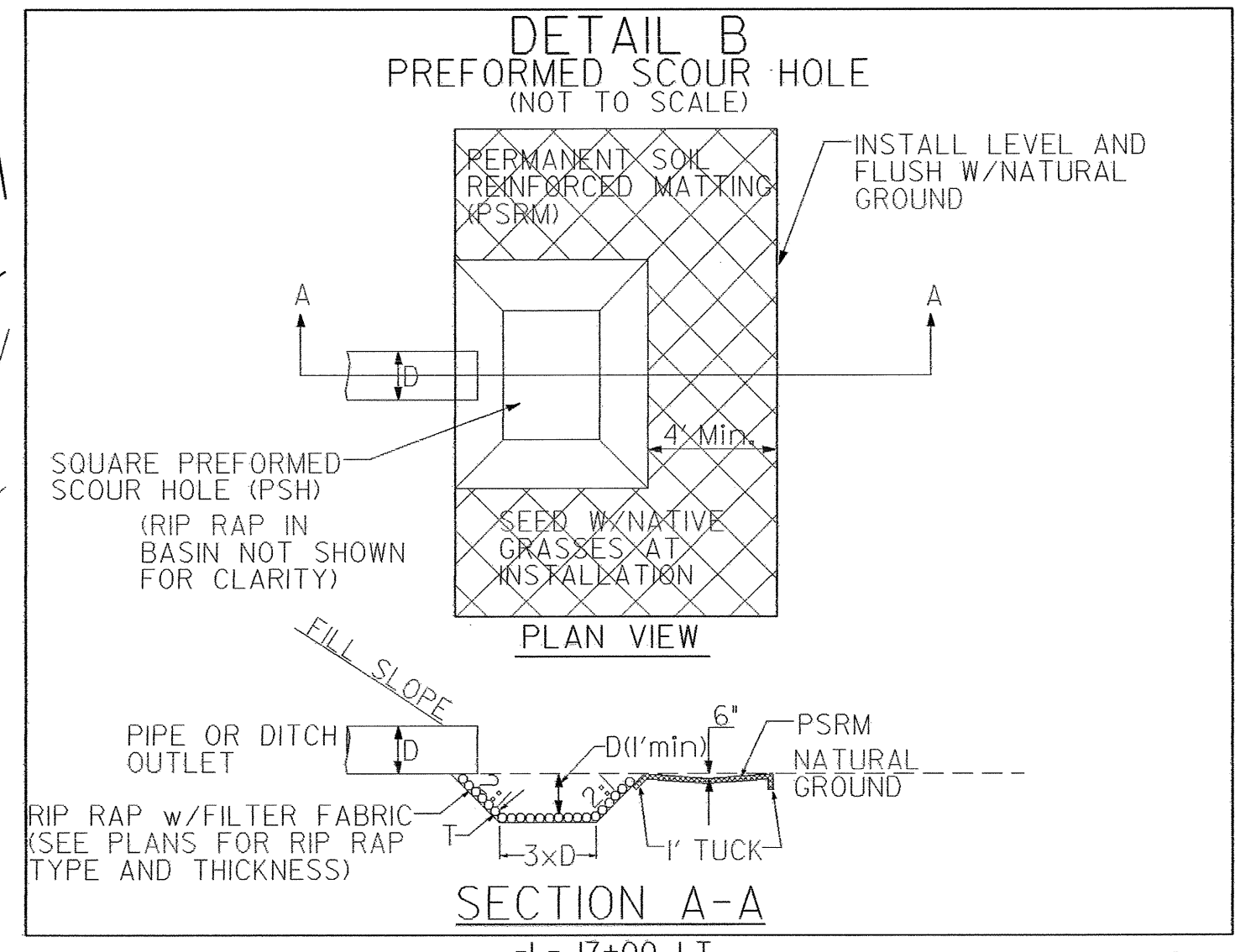
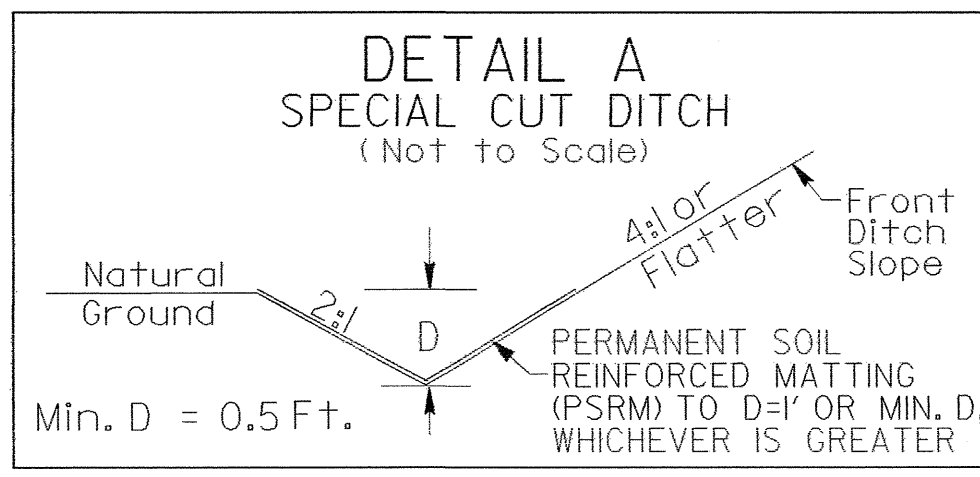


NOTE:
UTILIZE SPECIAL STILLING BASIN, AND TEMPORARY ROCK SEDIMENT DAM TYPE - B AS STILLING BASIN, WHERE APPLICABLE.



PI Sta 13+90.47 PI Sta 21+32.11
 $\Delta = 14' 16'' 52.4''$ (LT) $\Delta = 19' 24'' 23.0''$ (RT)
 $D = 5' 43'' 46.5''$ $D = 2' 29'' 28.0''$
 $L = 249.25'$ $L = 779.02'$
 $T = 125.28'$ $T = 393.28'$
 $R = 1,000.00'$ $R = 2,300.00'$
 $Se = 0.06$ FT./FT. $Se = 0.045$ FT./FT.
 R.O. = SEE PLANS R.O. = SEE PLANS

-DRI-
 PI Sta 10+52.88
 $\Delta = 19' 48'' 25.2''$ (LT)
 $D = 57' 17'' 44.8''$
 $L = 34.57'$
 $T = 17.46'$
 $R = 100.00'$
 $Se = N.C.$

-BZ 1- BUFFER ZONE 1
 -BZ 2- BUFFER ZONE 2

FOR -L- PROFILE SEE SHEET 5
 FOR -DRI- PROFILE SEE SHEET 5

NC GRID NAD 83

ELWOOD P. & CLEO G. PERRY
DB. 5300 PG. 157

BENJAMIN FRANKLIN PERRY JR.
DB. 8246 PG. 717

END PROJECT B-3530
-L- POC Sta. 21+10.00

END CONSTRUCTION
-L- POC Sta. 21+55.00

ROBERT A. PERRY
DB. 6744 PG. 214

ROBERT A. PERRY
DB. 3830 PG. 68

ROBERT A. & LENA PERRY
DB. 6744 PG. 214

ROBERT A. PERRY

ROBERT A. PERRY
DB. 6744 PG. 214

BENJAMIN FRANKLIN PERRY JR.
DB. 8246 PG. 717

BENJAMIN FRANKLIN PERRY JR.
DB. 8246 PG. 717