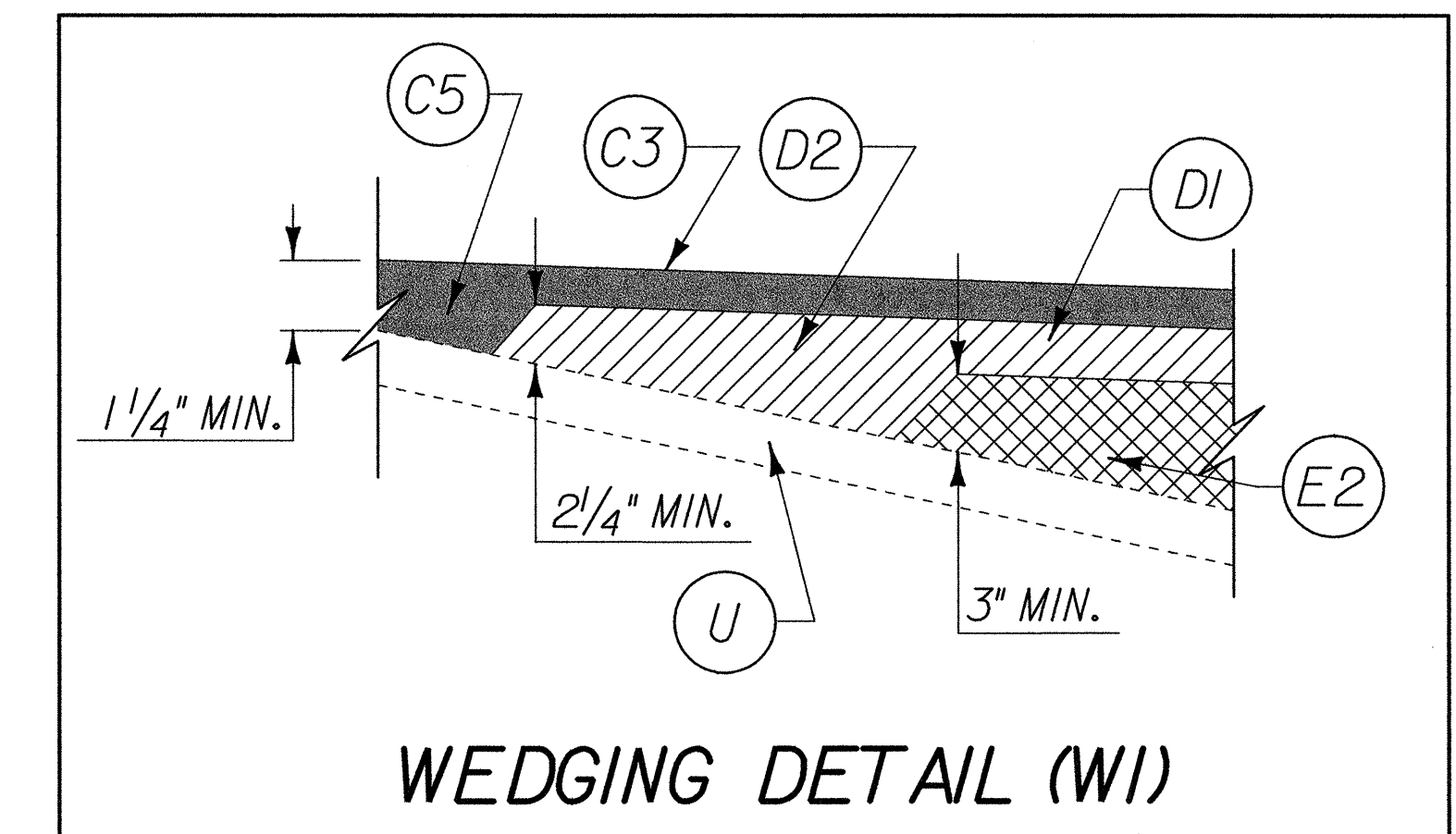


## PAVEMENT SCHEDULE

C1	PROPOSED APPROX. 2 1/2" ASPHALT CONCRETE SURFACE COURSE, TYPE SF9.5A AT AN AVERAGE RATE OF 137.5 LBS. PER SQ. YARD IN EACH OF TWO LAYERS.
C2	PROPOSED VARIABLE DEPTH ASPHALT CONCRETE SURFACE COURSE, TYPE SF9.5A, AT AN AVERAGE RATE OF 110 LBS. PER SQ. YARD, PER 1" DEPTH, TO BE PLACED IN LAYERS NOT LESS THAN 1 1/4" OR GREATER THAN 1 1/2" IN DEPTH.
C3	PROPOSED APPROX. 1 1/4" ASPHALT CONCRETE SURFACE COURSE, TYPE S9.5B AT AN AVERAGE RATE OF 140 LBS. PER SQ. YARD.
C4	PROPOSED APPROX. 2 1/2" ASPHALT CONCRETE SURFACE COURSE, TYPE S9.5B AT AN AVERAGE RATE OF 140 LBS. PER SQ. YARD IN EACH OF TWO LAYERS.
C5	PROPOSED VARIABLE DEPTH ASPHALT CONCRETE SURFACE COURSE, TYPE S9.5B, AT AN AVERAGE RATE OF 112 LBS. PER SQ. YARD, PER 1" DEPTH, TO BE PLACED IN LAYERS NOT LESS THAN 1 1/4" OR GREATER THAN 1 1/2" IN DEPTH.
D1	PROPOSED APPROXIMATE 3" ASPHALT CONCRETE INTERMEDIATE COURSE, TYPE I19.0B, AT AN AVERAGE RATE OF 342 LBS. PER SQ. YARD.
D2	PROPOSED VARIABLE DEPTH ASPHALT CONCRETE INTERMEDIATE COURSE, TYPE I19.0B, AT AN AVERAGE RATE OF 114 LBS. PER SQ. YARD PER 1" DEPTH, TO BE PLACED IN LAYERS NOT LESS THAN 2.25" OR GREATER THAN 4" IN DEPTH.
E1	PROPOSED APPROXIMATE 5" ASPHALT CONCRETE BASE COURSE, TYPE B25.0B AT AN AVERAGE RATE OF 570 LBS. PER SQ. YARD.
E2	PROPOSED VARIABLE DEPTH ASPHALT CONCRETE BASE COURSE, TYPE B25.0B AT AN AVERAGE RATE OF 114 LBS. PER SQ. YARD PER 1" DEPTH, TO BE PLACED IN LAYERS NOT LESS THAN 3" IN DEPTH OR GREATER THAN 5.5" IN DEPTH.
J1	PROPOSED 10" AGGREGATE BASE COURSE
P	PRIME COAT AT THE RATE OF 0.35 GALLONS PER SQUARE FEET.
T	EARTH MATERIAL
U	EXISTING PAVEMENT
W1	WEDGING (SEE WEDGING DETAIL)

NOTE: ALL PAVEMENT EDGE SLOPES ARE 1:1 UNLESS OTHERWISE SHOWN.



REVISIONS