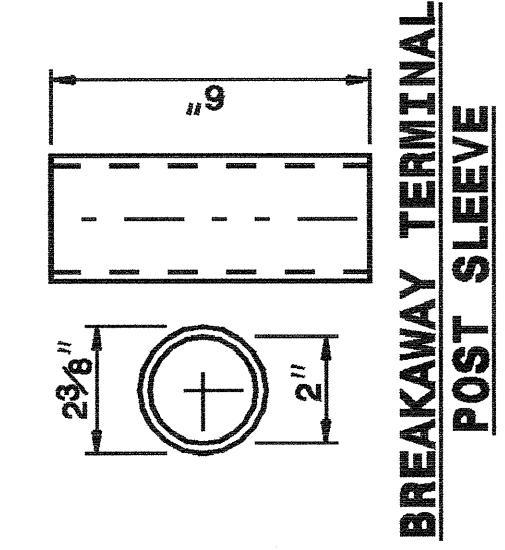


I:\NA\2003\14321\enr\cycward\stds\02\stds to Special Details\english\86202\0862d02.dgn  
5/14/99

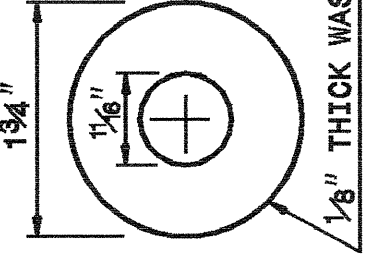
STATE OF  
NORTH CAROLINA  
DEPT. OF TRANSPORTATION  
DIVISION OF HIGHWAYS  
RALEIGH, N.C.

ENGLISH DETAIL DRAWING FOR  
GUARDRAIL INSTALLATION

SHEET 5 OF 7  
862D02

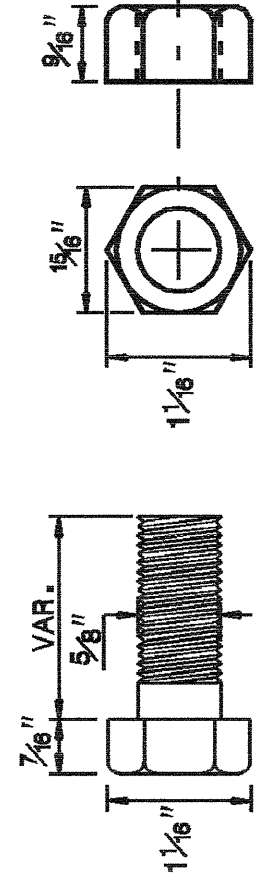


**BREAKAWAY TERMINAL POST SLEEVE**

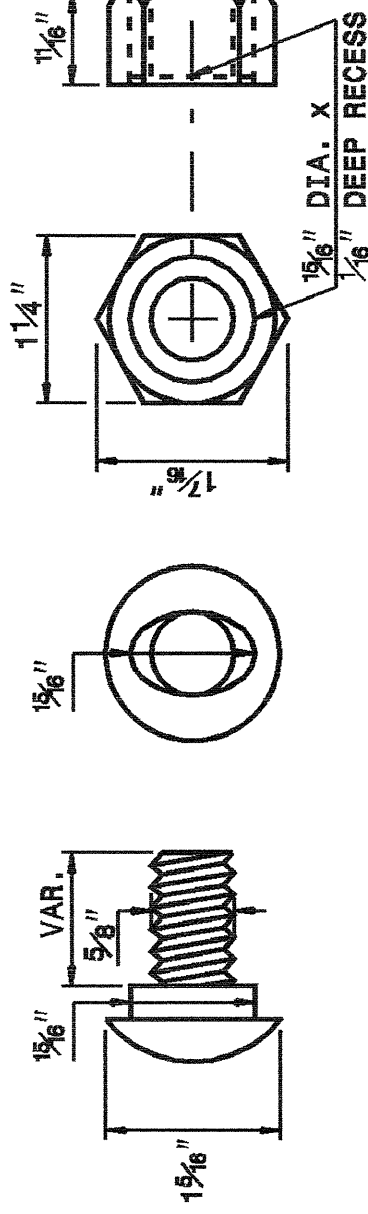


**DETAIL OF STANDARD WASHER**

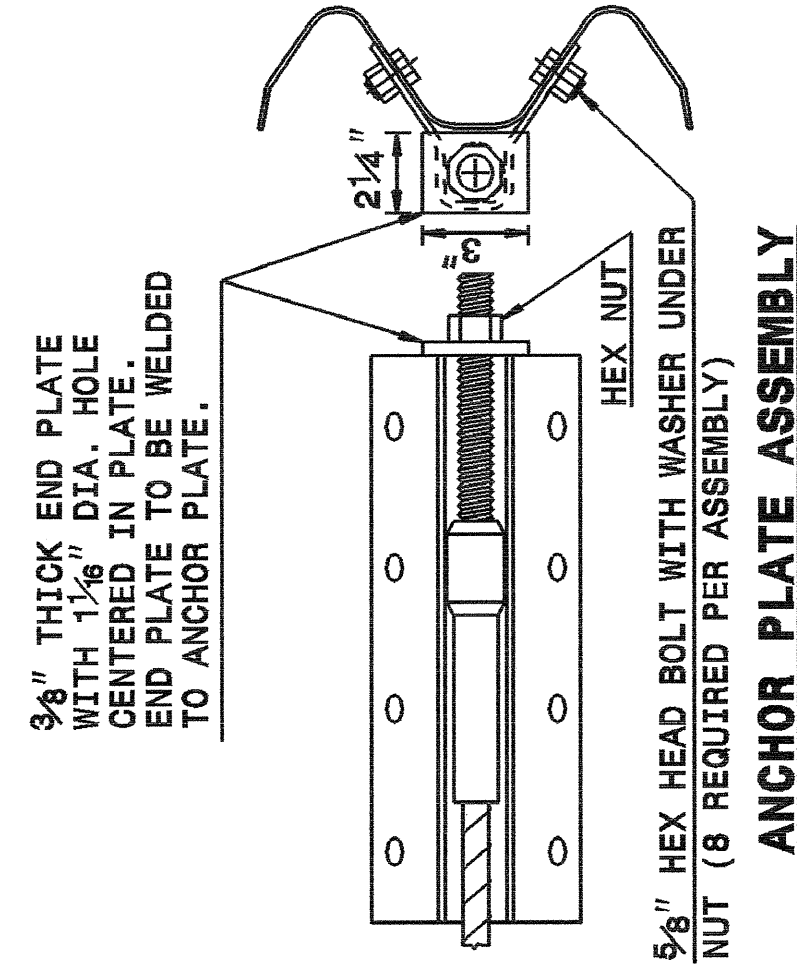
STANDARD WASHER: TYPICAL USE UNDER NUT WITH WOOD POST



**DETAIL OF STANDARD HEX BOLT AND NUT**



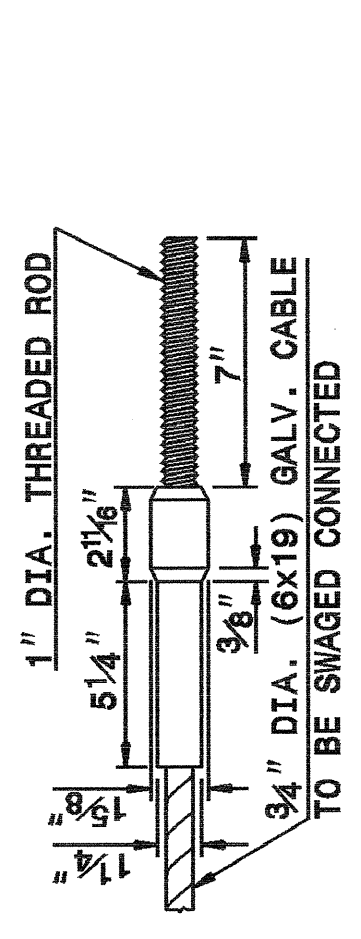
**DETAIL OF BUTTON HEAD BOLT AND NUT**



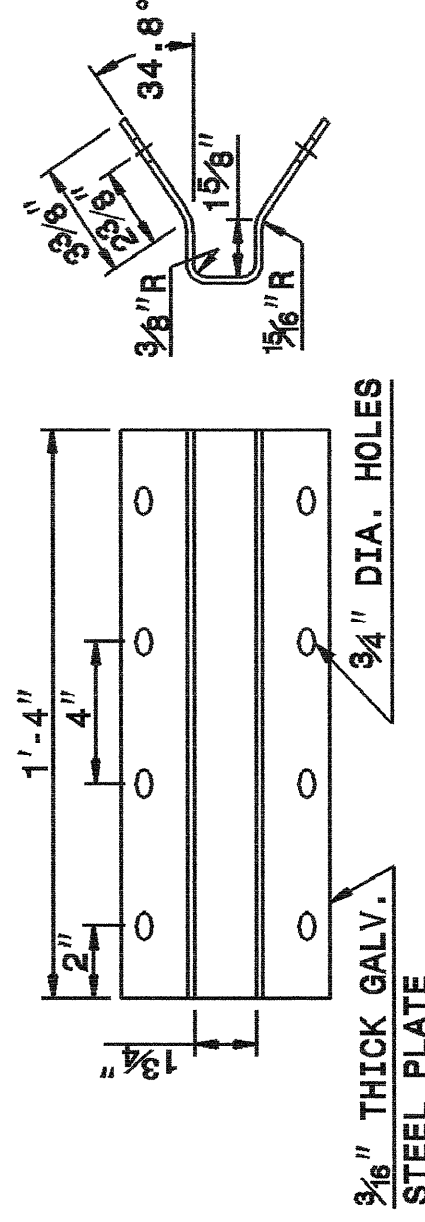
3/8" THICK END PLATE WITH 1 1/8" DIA. HOLE CENTERED IN PLATE. END PLATE TO BE WELDED TO ANCHOR PLATE.

5/8" HEX HEAD BOLT WITH WASHER UNDER NUT (8 REQUIRED PER ASSEMBLY)

**ANCHOR PLATE ASSEMBLY**



**SWAGED CABLE**



**ANCHOR PLATE**

**CABLE ASSEMBLY**

SYSTEM PARTS

SHEET 5 OF 7  
862D02

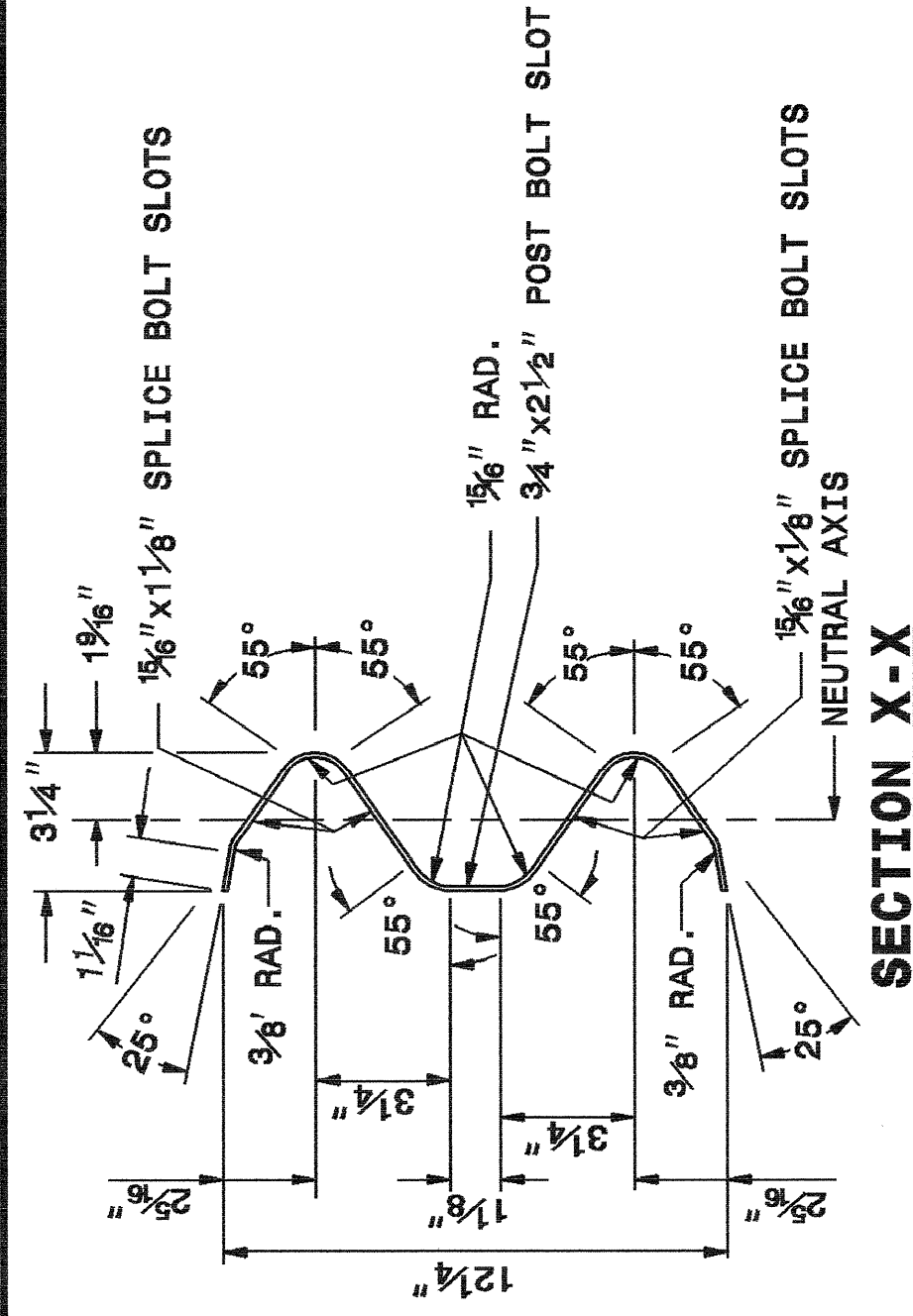
STATE OF  
NORTH CAROLINA  
DEPT. OF TRANSPORTATION  
DIVISION OF HIGHWAYS  
RALEIGH, N.C.

ENGLISH DETAIL DRAWING FOR  
GUARDRAIL INSTALLATION

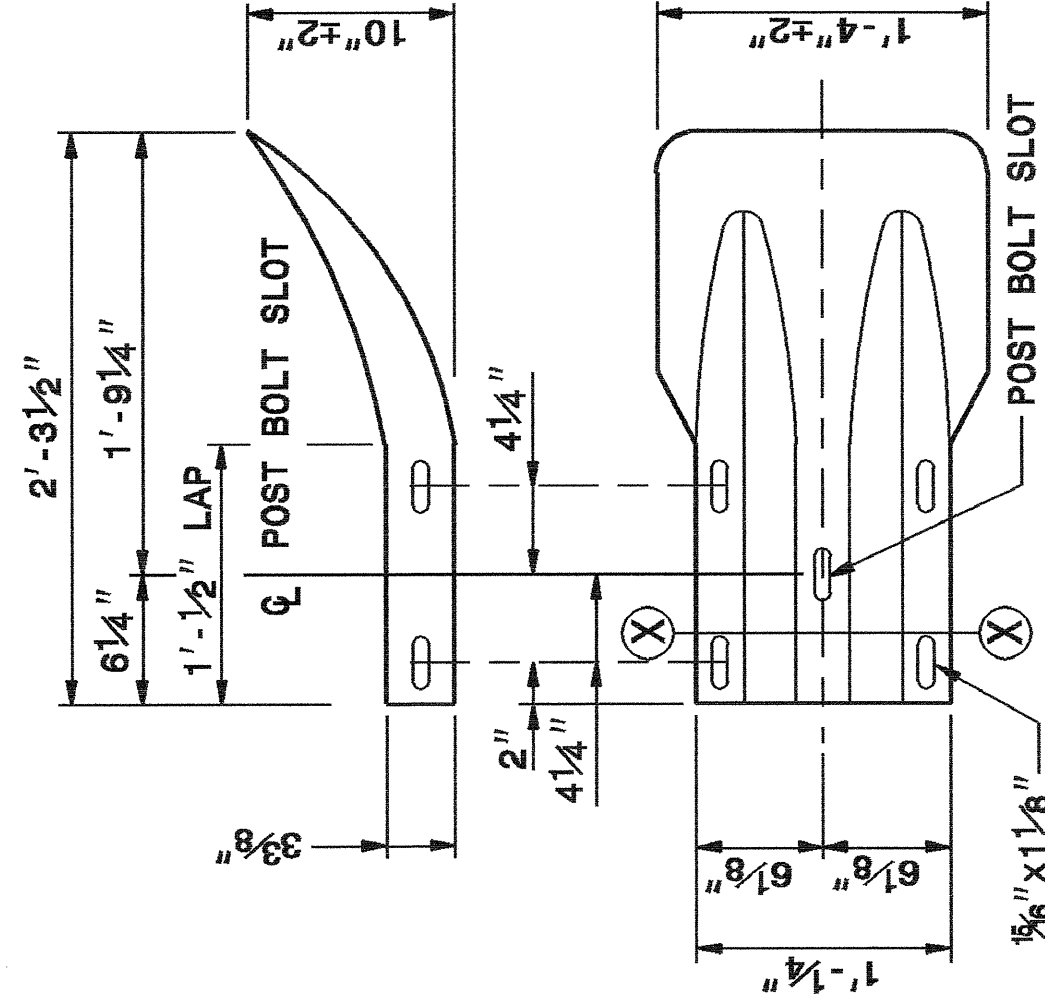
STATE OF  
NORTH CAROLINA  
DEPT. OF TRANSPORTATION  
DIVISION OF HIGHWAYS  
RALEIGH, N.C.

ENGLISH DETAIL DRAWING FOR  
GUARDRAIL INSTALLATION

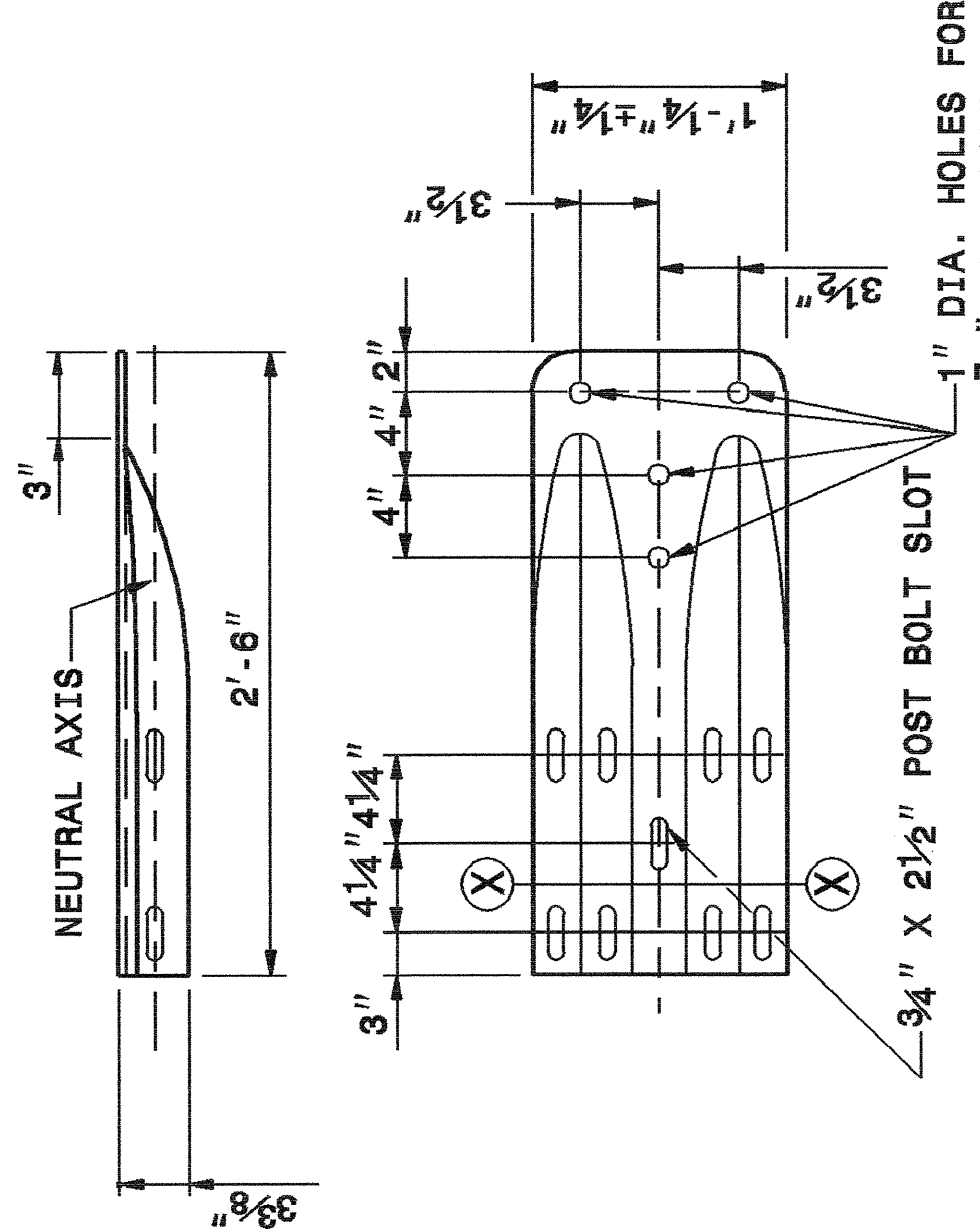
SHEET 6 OF 7  
862D02



**SECTION X-X**



**TERMINAL END SECTION**



**TYPICAL END SHOE**

ENGLISH DETAIL DRAWING FOR  
GUARDRAIL INSTALLATION

SHEET 6 OF 7  
862D02

STATE OF  
NORTH CAROLINA  
DEPT. OF TRANSPORTATION  
DIVISION OF HIGHWAYS  
RALEIGH, N.C.

DESIGN SERVICES UNIT  
STANDARDS AND SPECIAL DESIGN  
Office 919-250-4128 FAX 919-250-4119

SEE PLATE FOR TITLE

ORIGINAL BY: 2002 STD. 862.02 DATE:  
MODIFIED BY: E.E. WARD DATE: 02-09-03  
CHECKED BY: C. B. WARD DATE: 11/19/04  
FILE SPEC.: /usr/stds/02todetail/english/86202/862d02.dgn

