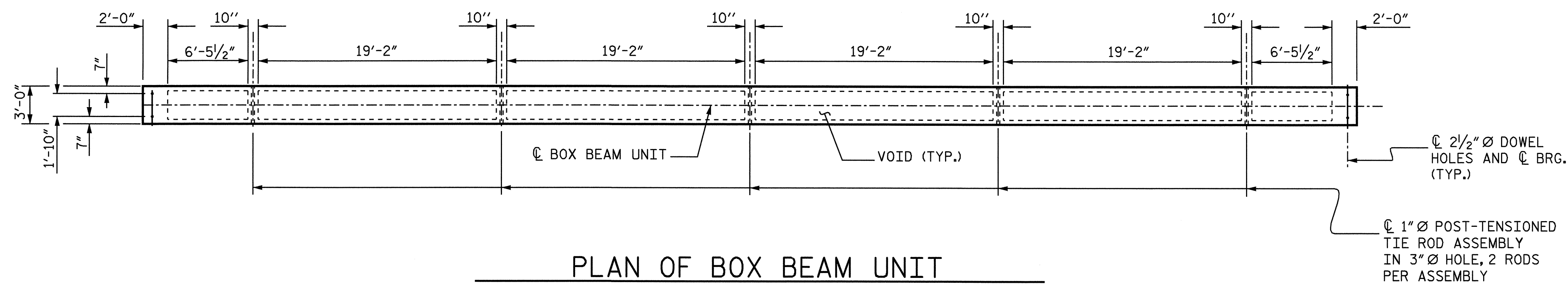


PLAN OF SPAN



PLAN OF BOX BEAM UNIT

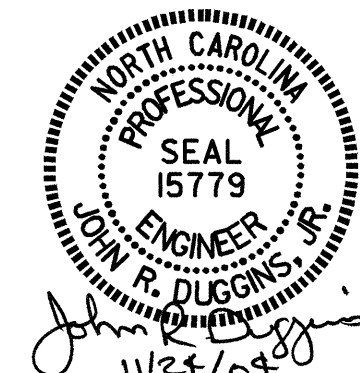
PROJECT NO. B-3522  
WAKE COUNTY  
 STATION: 26+10.50 -L-

SHEET 2 OF 4

STATE OF NORTH CAROLINA  
 DEPARTMENT OF TRANSPORTATION  
 RALEIGH

SUPERSTRUCTURE  
 PLAN OF SPAN

REVISIONS						SHEET NO.	
NO.	BY:	DATE:	NO.	BY:	DATE:	S-5	
1			3			TOTAL SHEETS	
2			4			21	



DRAWN BY: M. POOLE DATE: 09/04  
 CHECKED BY: J.K. WILKINS DATE: 11/04