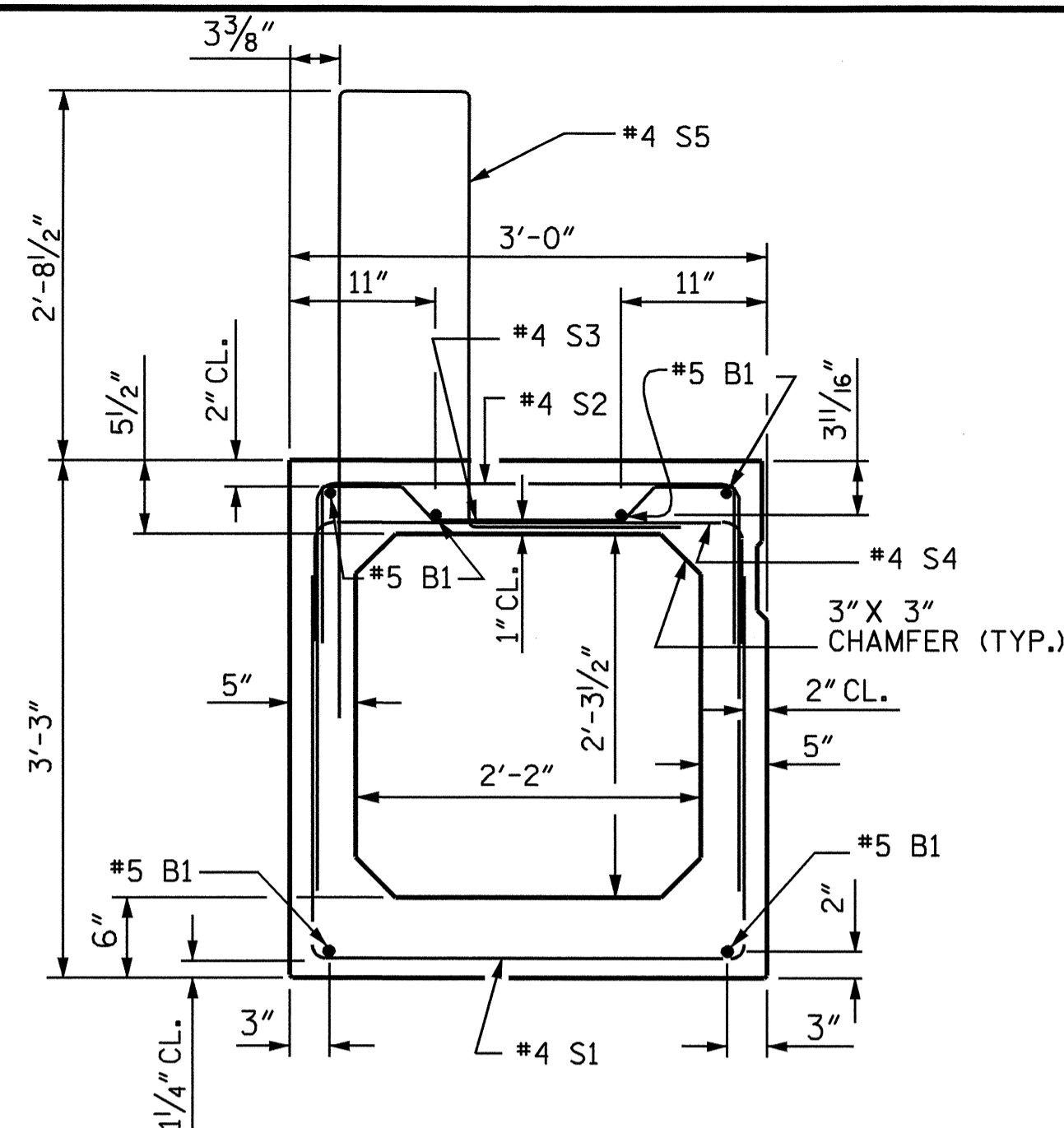
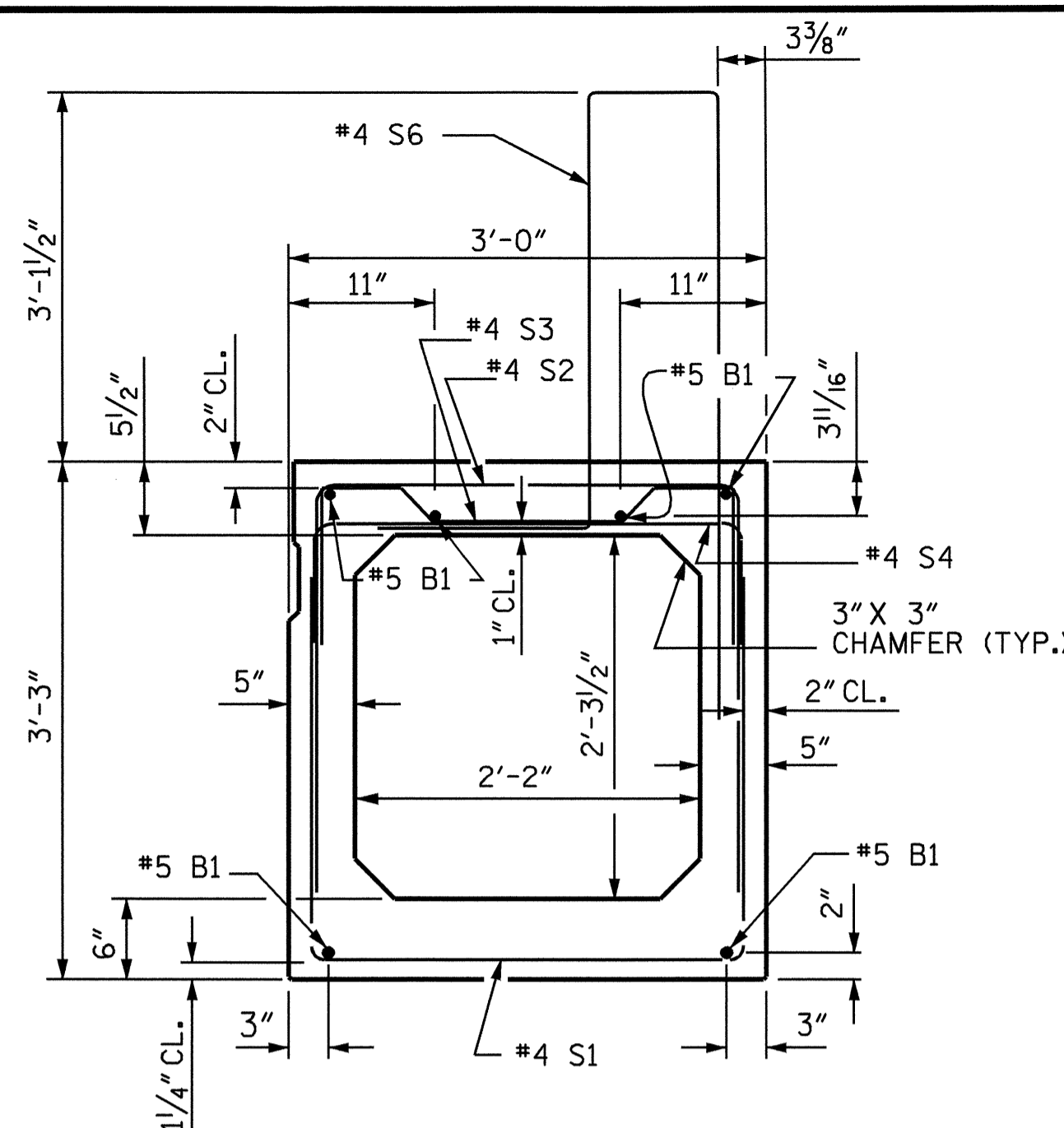


INTERIOR BOX BEAM SECTION

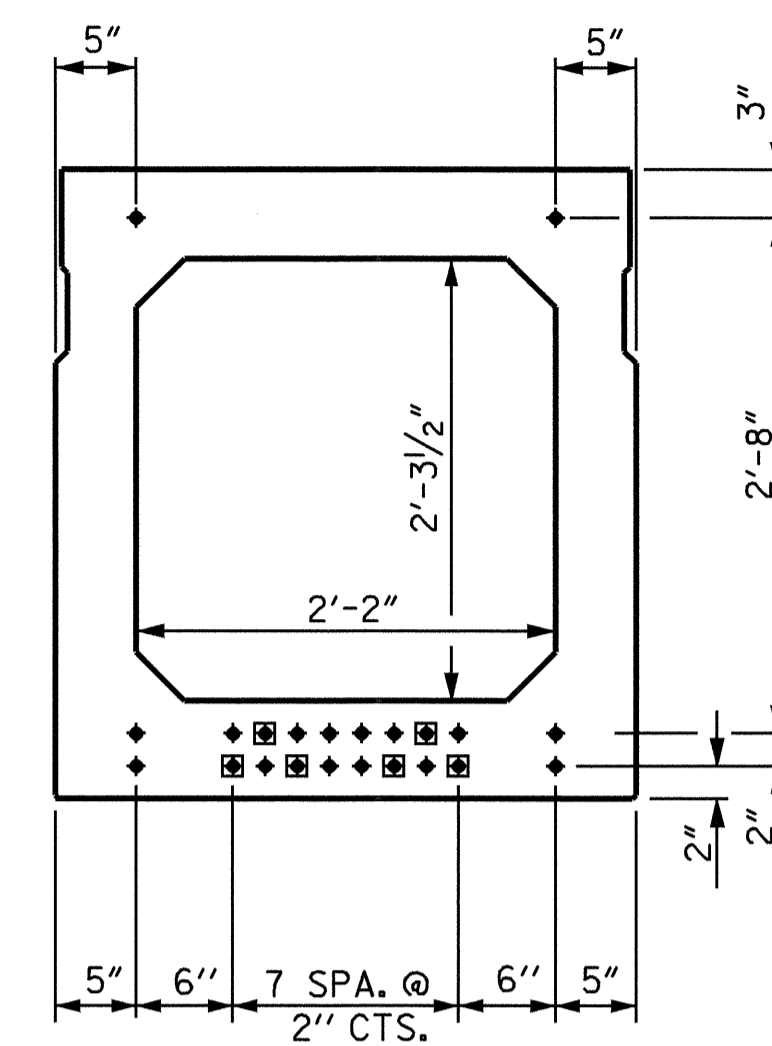


LEFT EXTERIOR BOX BEAM SECTION



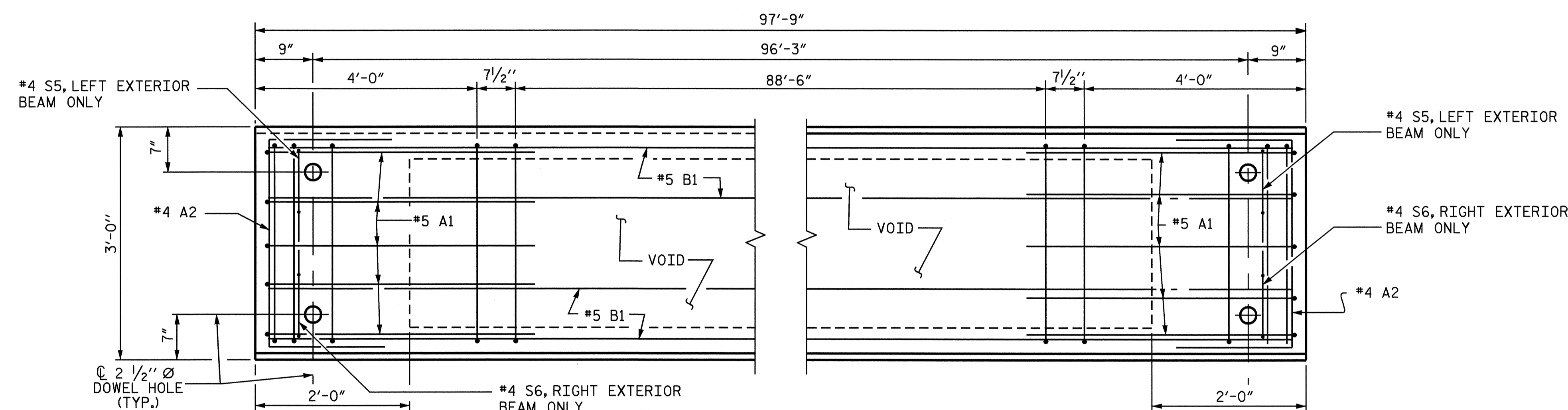
RIGHT EXTERIOR BOX BEAM SECTION

♦ FULLY BONDED
 ■ DEBONDED FOR 4'-0" FROM EACH END OF GIRDER

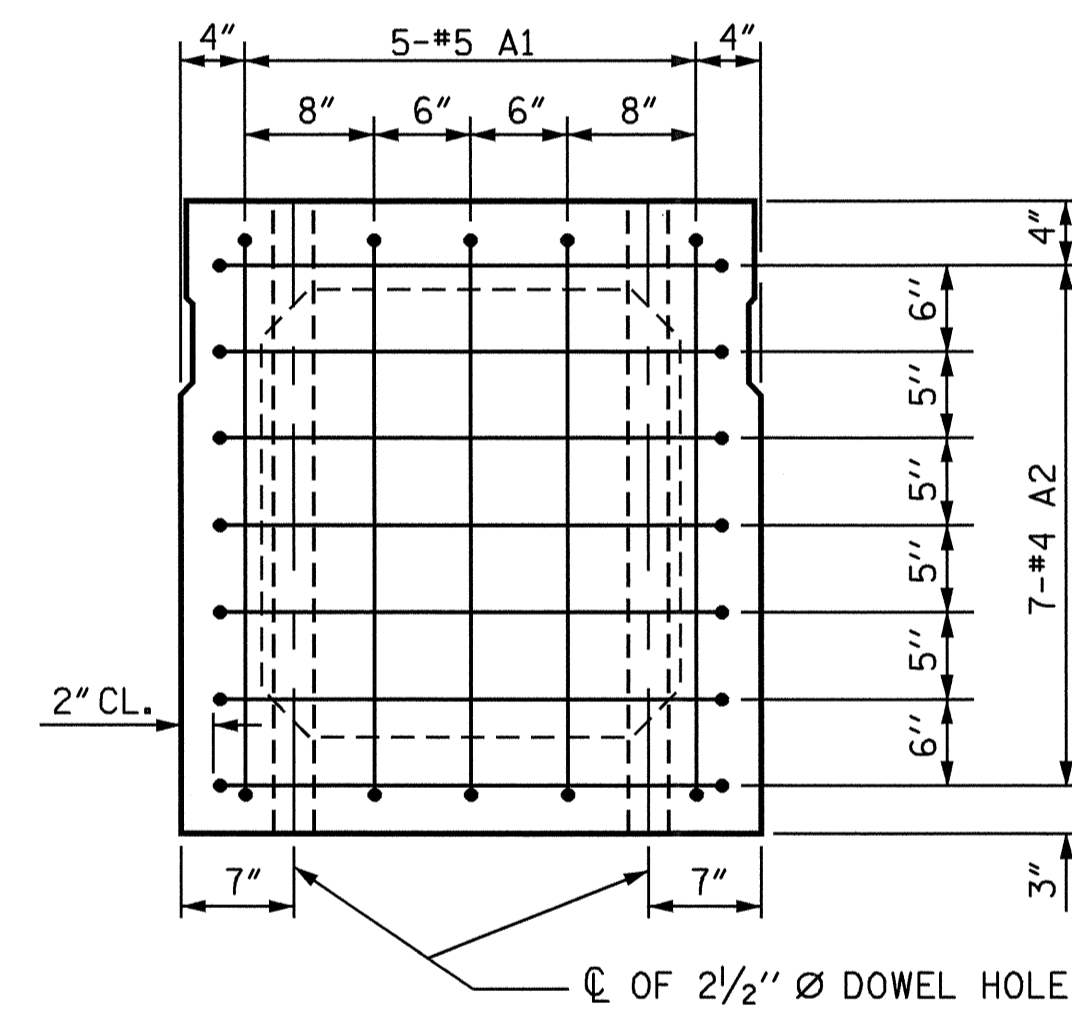


TYPICAL STRAND LOCATION
 (22 STRANDS REQUIRED)
 (INTERIOR BOX SECTION SHOWN - EXTERIOR BOX SECTION SIMILAR EXCEPT SHEAR KEY LOCATION)

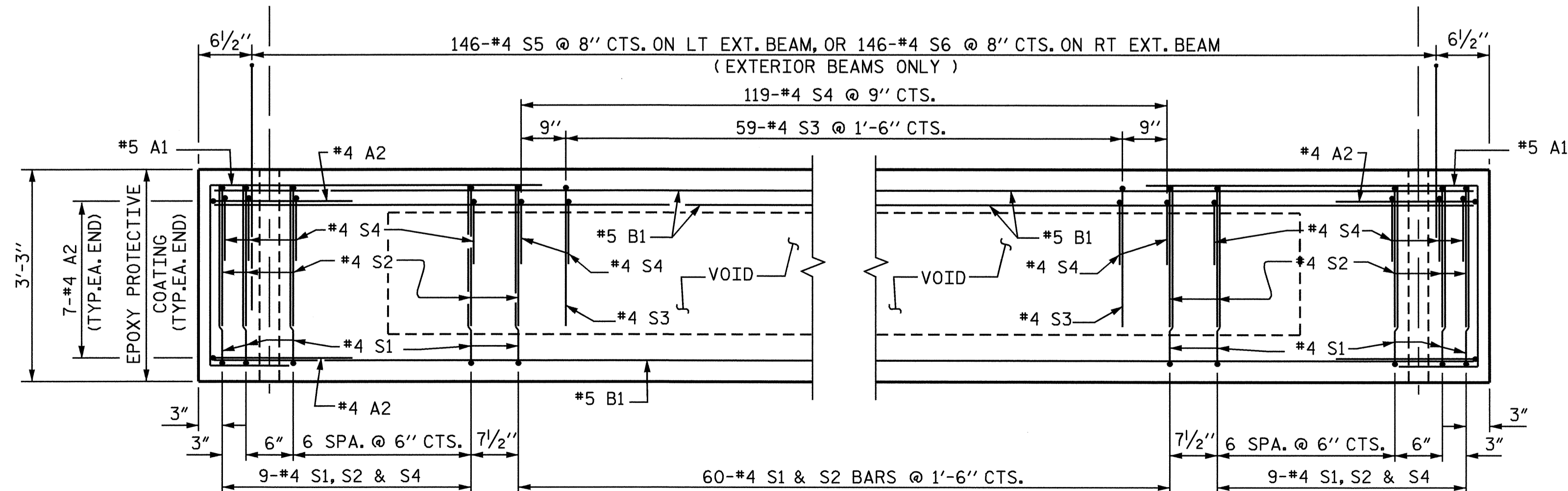
0.6" Ø LOW RELAXATION STRAND LAYOUT



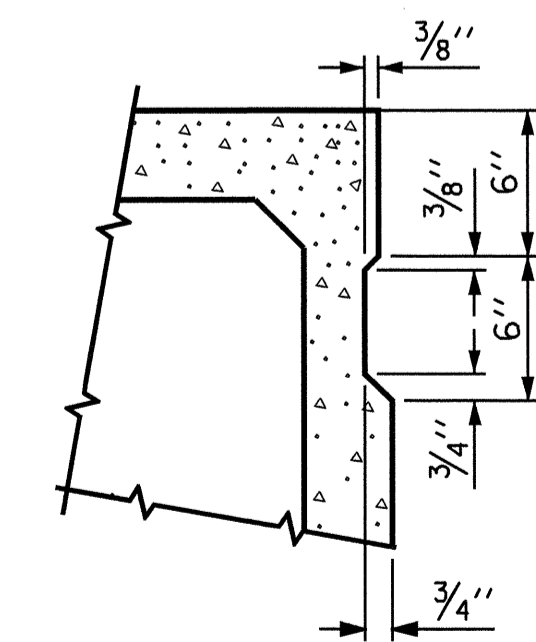
PLAN OF BOX BEAM



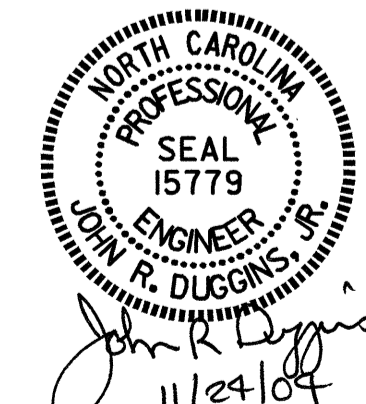
SECTION AT END OF GIRDER
 (INTERIOR BOX SECTION SHOWN - EXTERIOR BOX SECTION SIMILAR EXCEPT SHEAR KEY LOCATION)



ELEVATION OF BOX BEAM



SHEAR KEY DETAIL
 NOTE: OMIT SHEAR KEY ON OUTSIDE FACE OF EXTERIOR BOX BEAMS.



PROJECT NO. B-3522
WAKE COUNTY
 STATION: 26+10.50 -L-
 SHEET 3 OF 4

STATE OF NORTH CAROLINA
 DEPARTMENT OF TRANSPORTATION
 RALEIGH
 3'-0" X 3'-3"
 PRESTRESSED CONCRETE
 BOX BEAM

ASSEMBLED BY : M. POOLE	DATE : 10/24/04
CHECKED BY : J.K. WILKINS	DATE : 11/04
DRAWN BY : RWW 10/04	ADDED 10/27/04
CHECKED BY :	

FOR LOCATION OF DIAPHRAGMS SEE "PLAN OF SPAN" SHEET 2 OF 4.
 FOR PLACEMENT OF "D" BARS IN DIAPHRAGMS SEE "DIAPHRAGMS DETAILS" SHEET 4 OF 4.

REVISIONS						SHEET NO.
NO.	BY:	DATE:	NO.	BY:	DATE:	S-6
1			3			TOTAL SHEETS
2			4			21