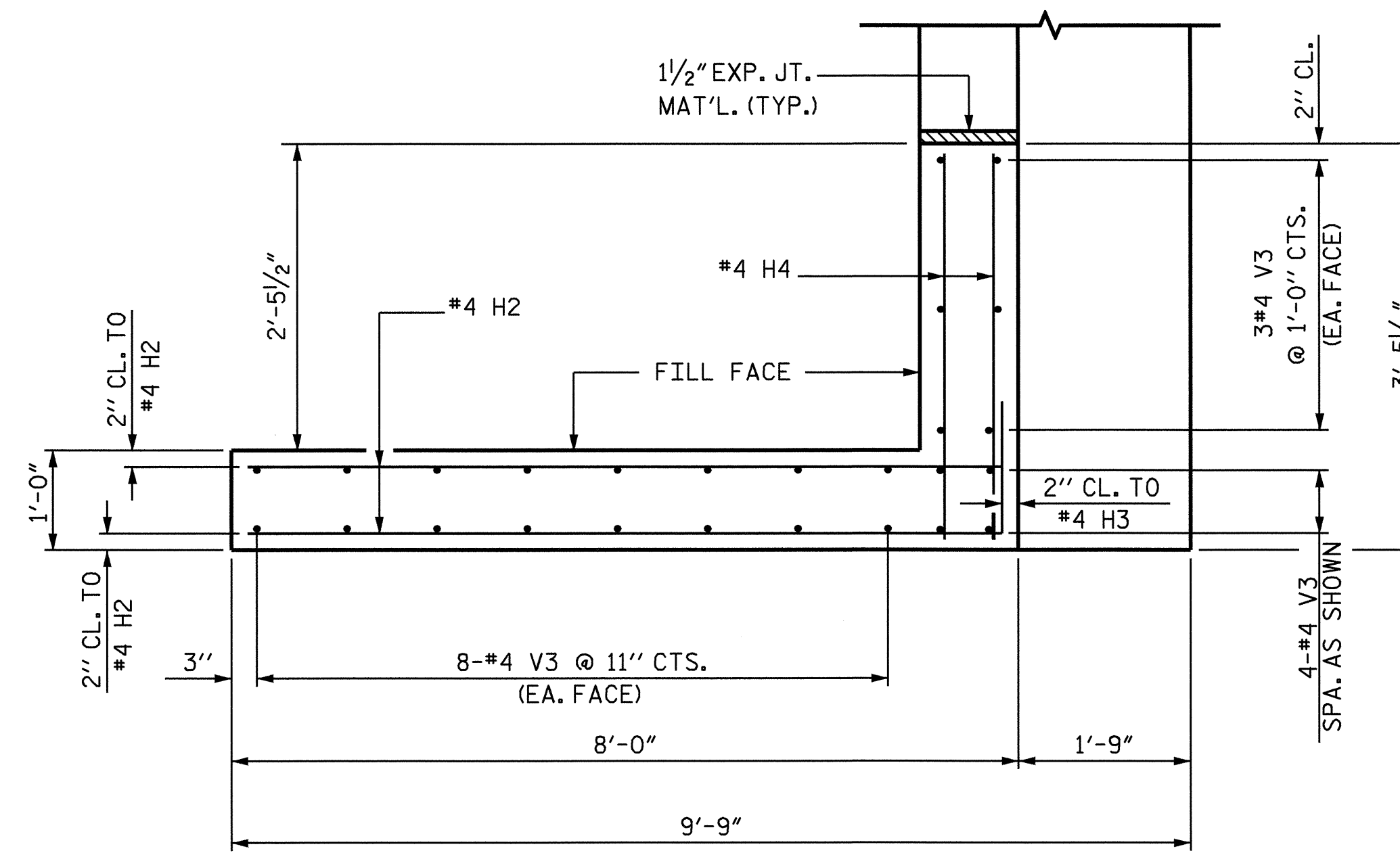
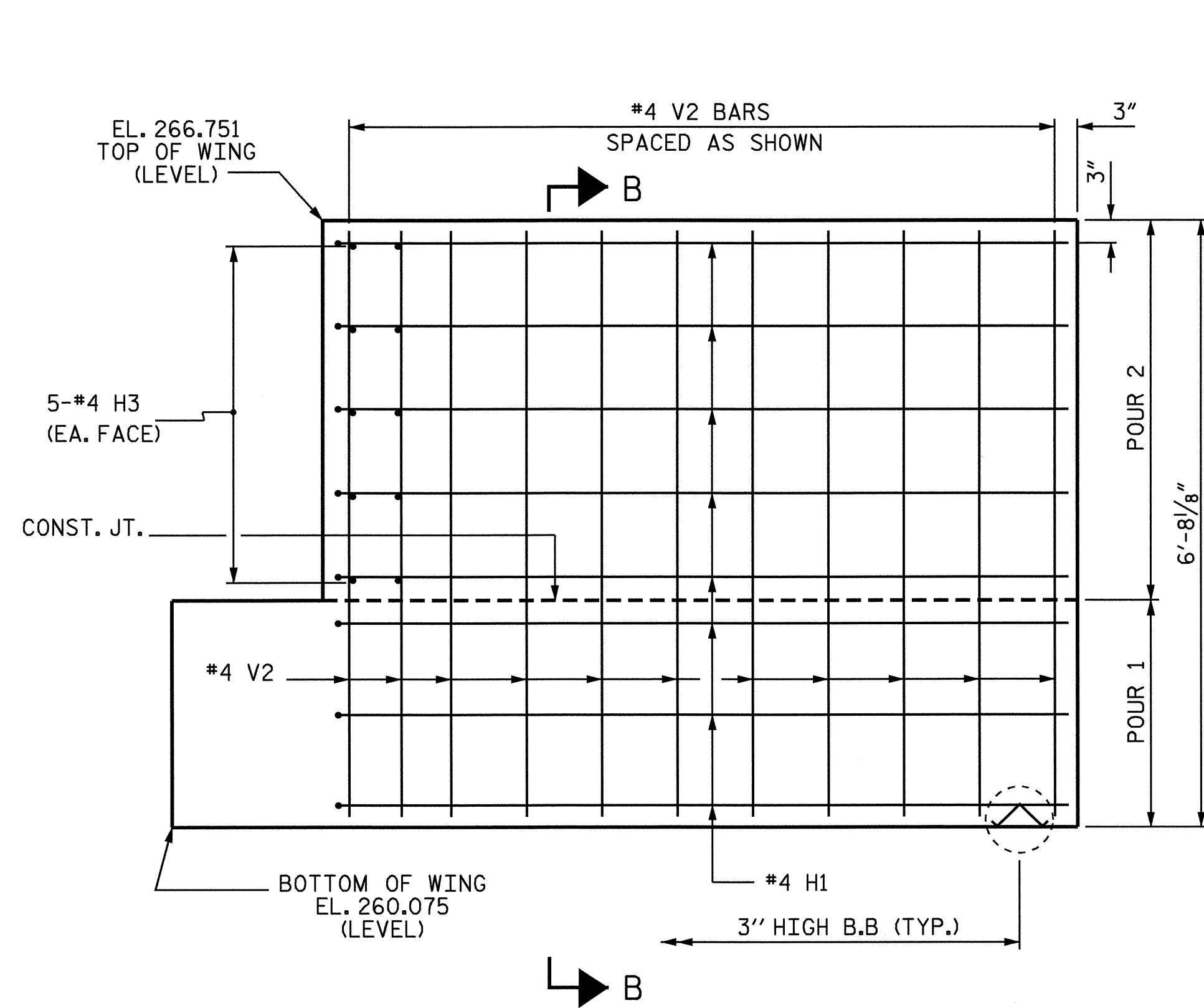


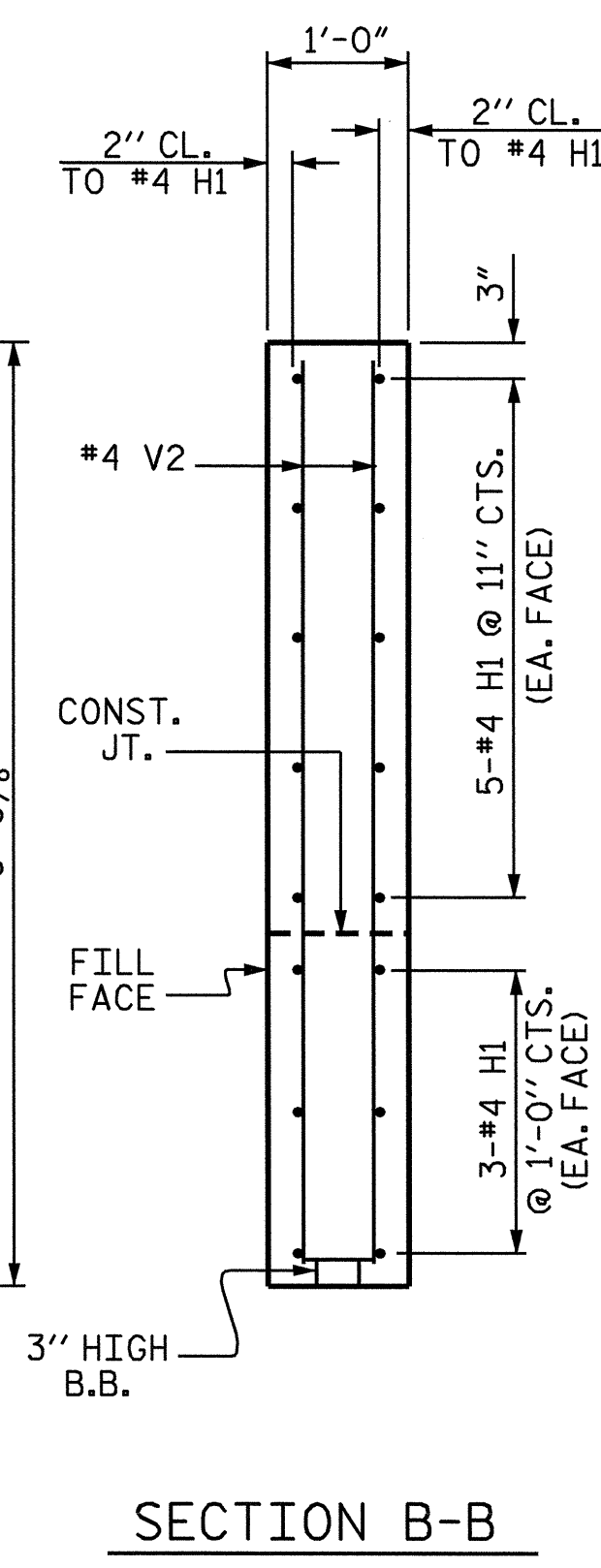
PLAN OF LEFT WING - W1



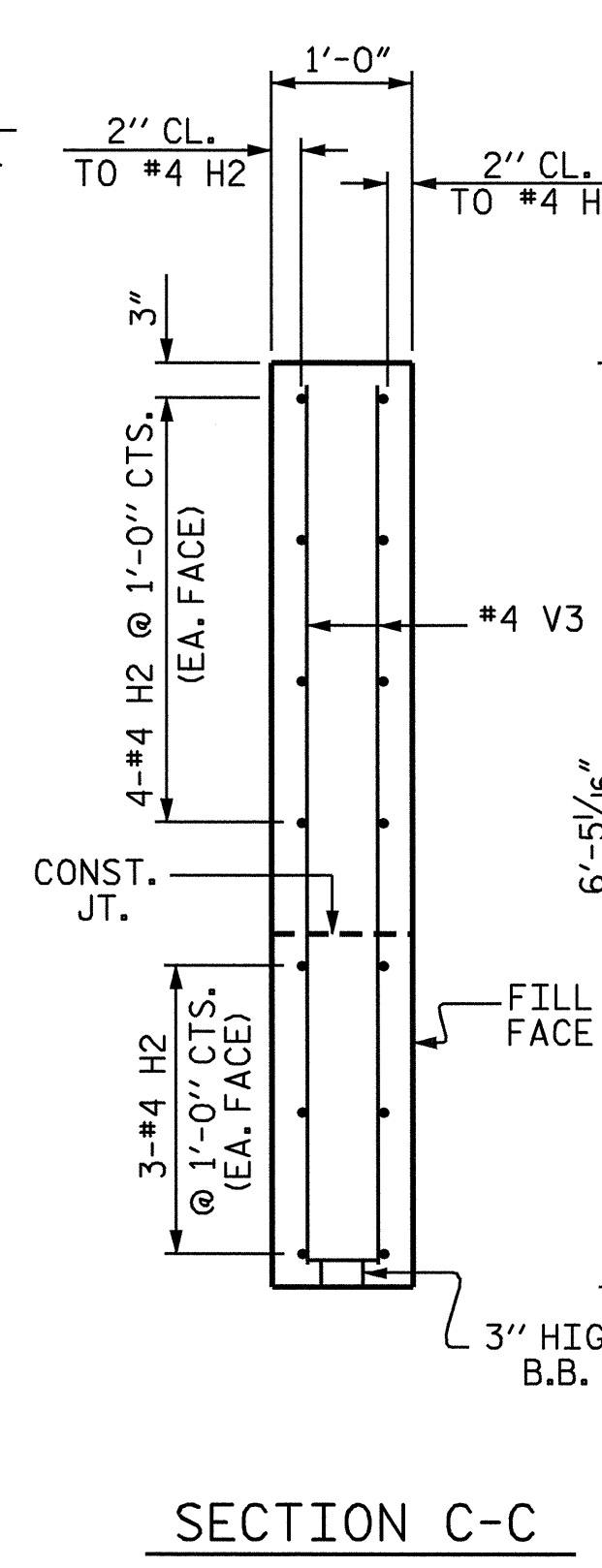
PLAN OF RIGHT WING - W2



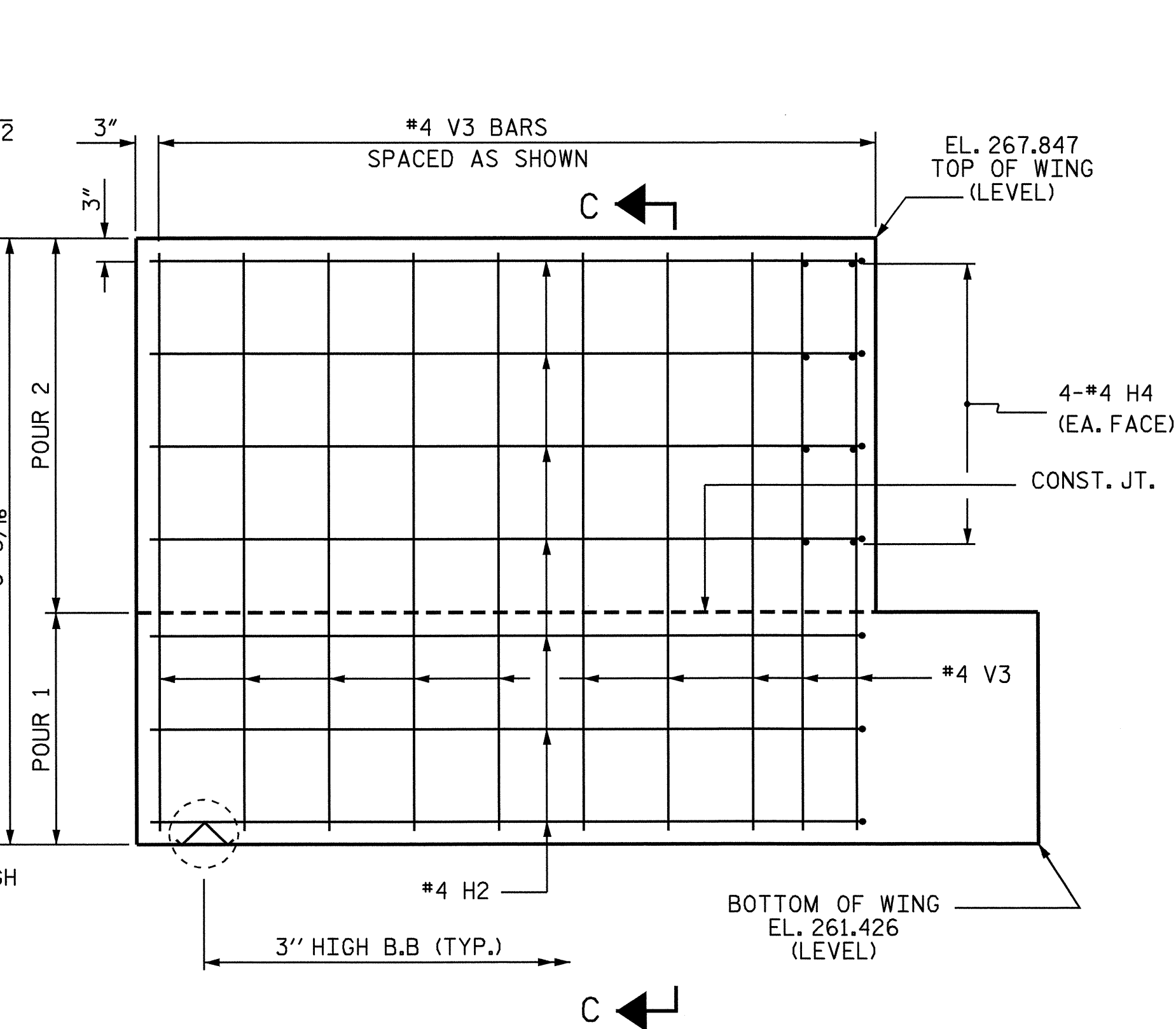
ELEVATION OF LEFT WING - W1



SECTION B-B



SECTION C-C



ELEVATION OF RIGHT WING - W2

PROJECT NO. B-3522
 WAKE COUNTY
 STATION: 26+10.50 -L-

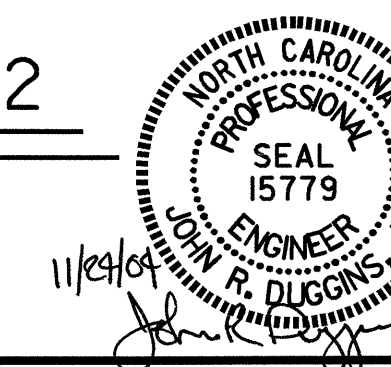
SHEET 2 OF 3

STATE OF NORTH CAROLINA
 DEPARTMENT OF TRANSPORTATION
 RALEIGH

SUBSTRUCTURE
 END BENT 1

DRAWN BY: M. POOLE DATE: 09/2004
 CHECKED BY: S. W. PEARCE DATE: 10/2004

23-NOV-2004 14:52
 W:\sdqudz\B3522\m\poole\Microstation\B3522.sd.E1.01.dgn
 mpoole



REVISIONS						SHEET NO.
NO.	BY:	DATE:	NO.	BY:	DATE:	S-14
1			3			TOTAL SHEETS
2			4			21