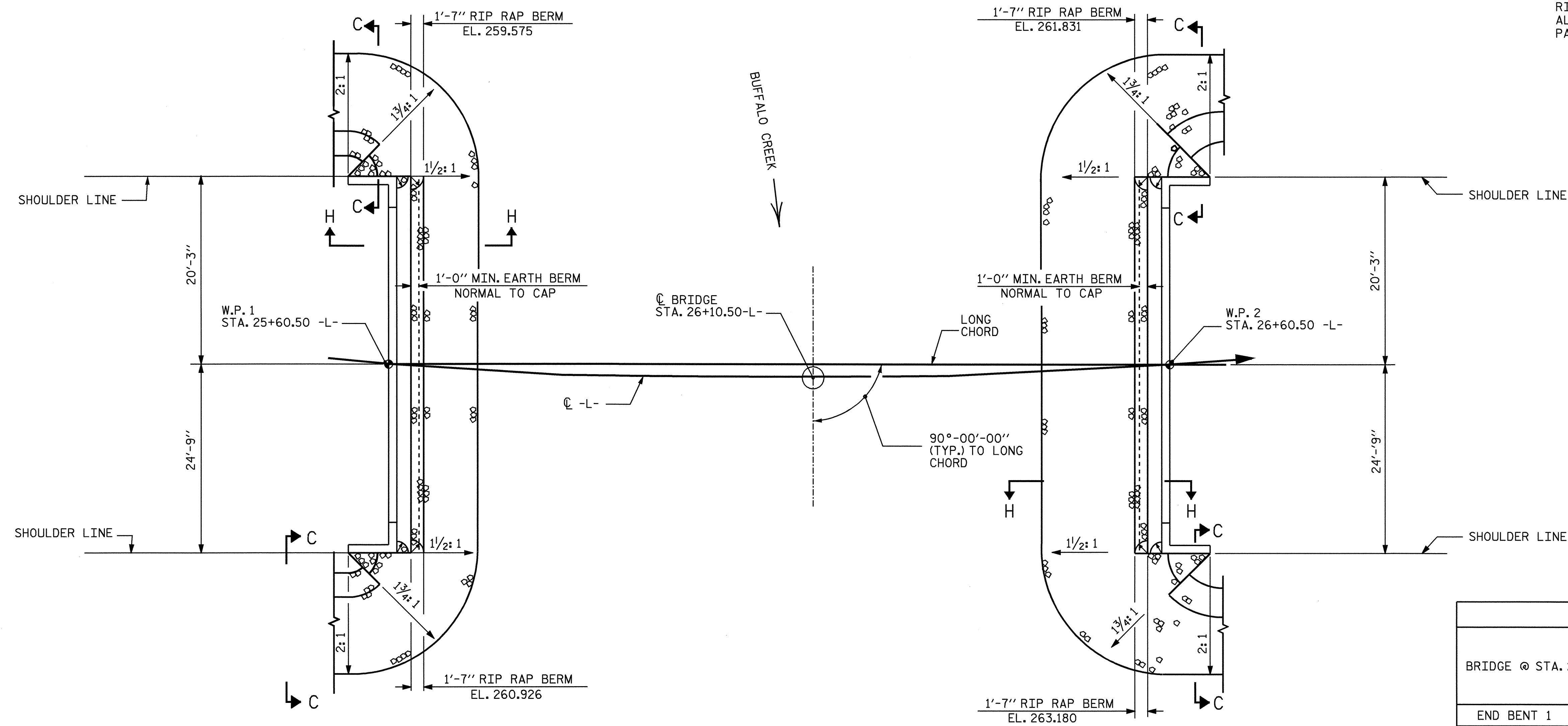


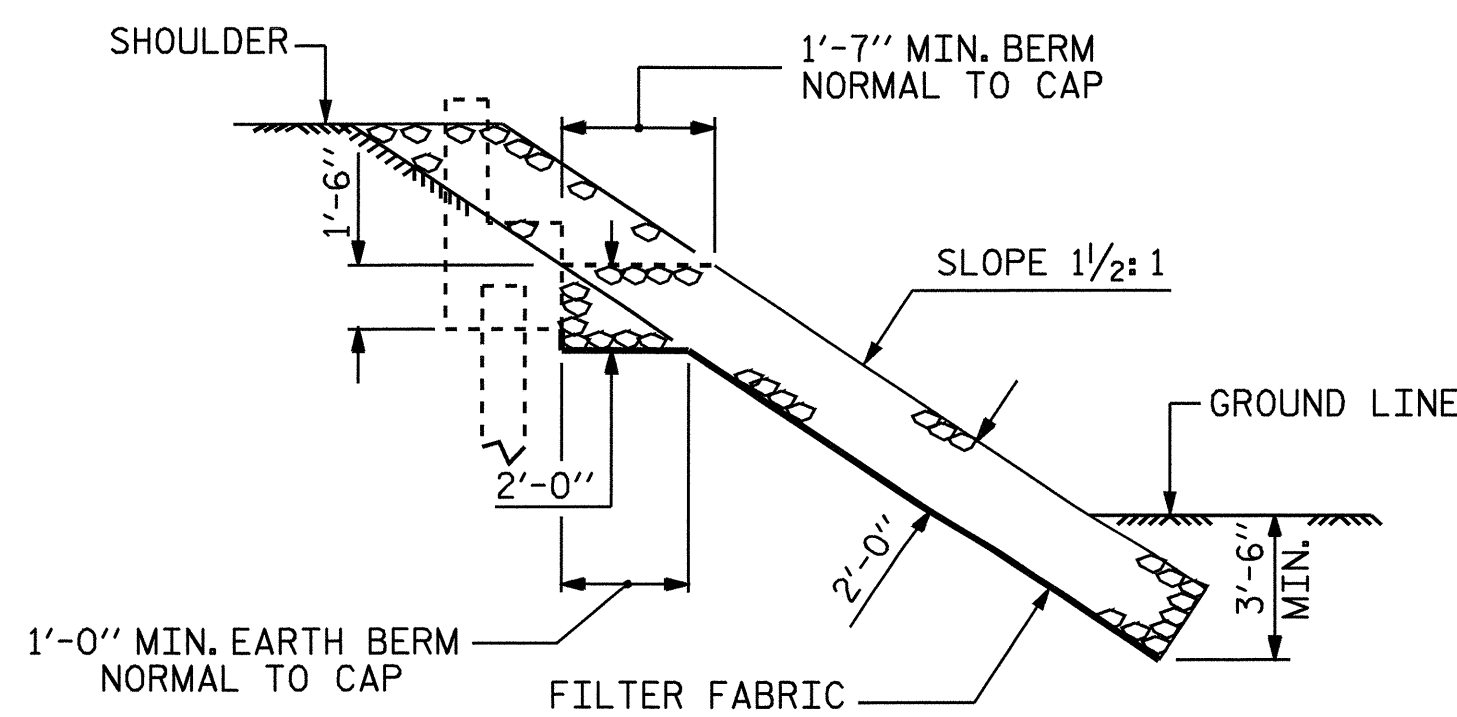
NOTES :
 FOR BERM WIDTH DIMENSIONS, SEE GENERAL DRAWING.

RIP RAP TO STA. 25+58.00 -L- AND FROM STA. 26+63.00 -L- ALONG THE SHOULDER SLOPES IS A ROADWAY DETAIL AND PAY ITEM.

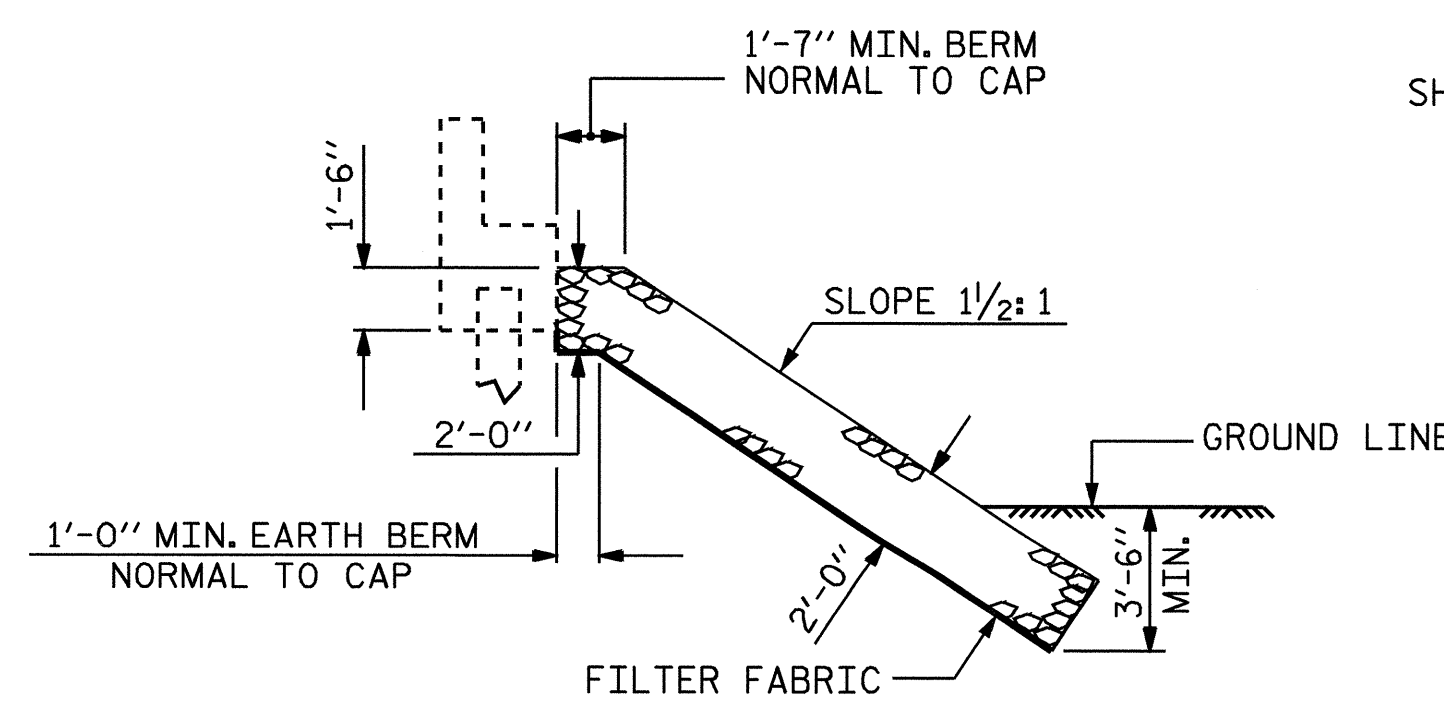


ESTIMATED QUANTITIES		
BRIDGE @ STA. 26+10.50 -L-	PLAIN RIP RAP CLASS II	FILTER FABRIC FOR DRAINAGE
	TONS	SQUARE YARDS
END BENT 1	162	180
END BENT 2	167	186

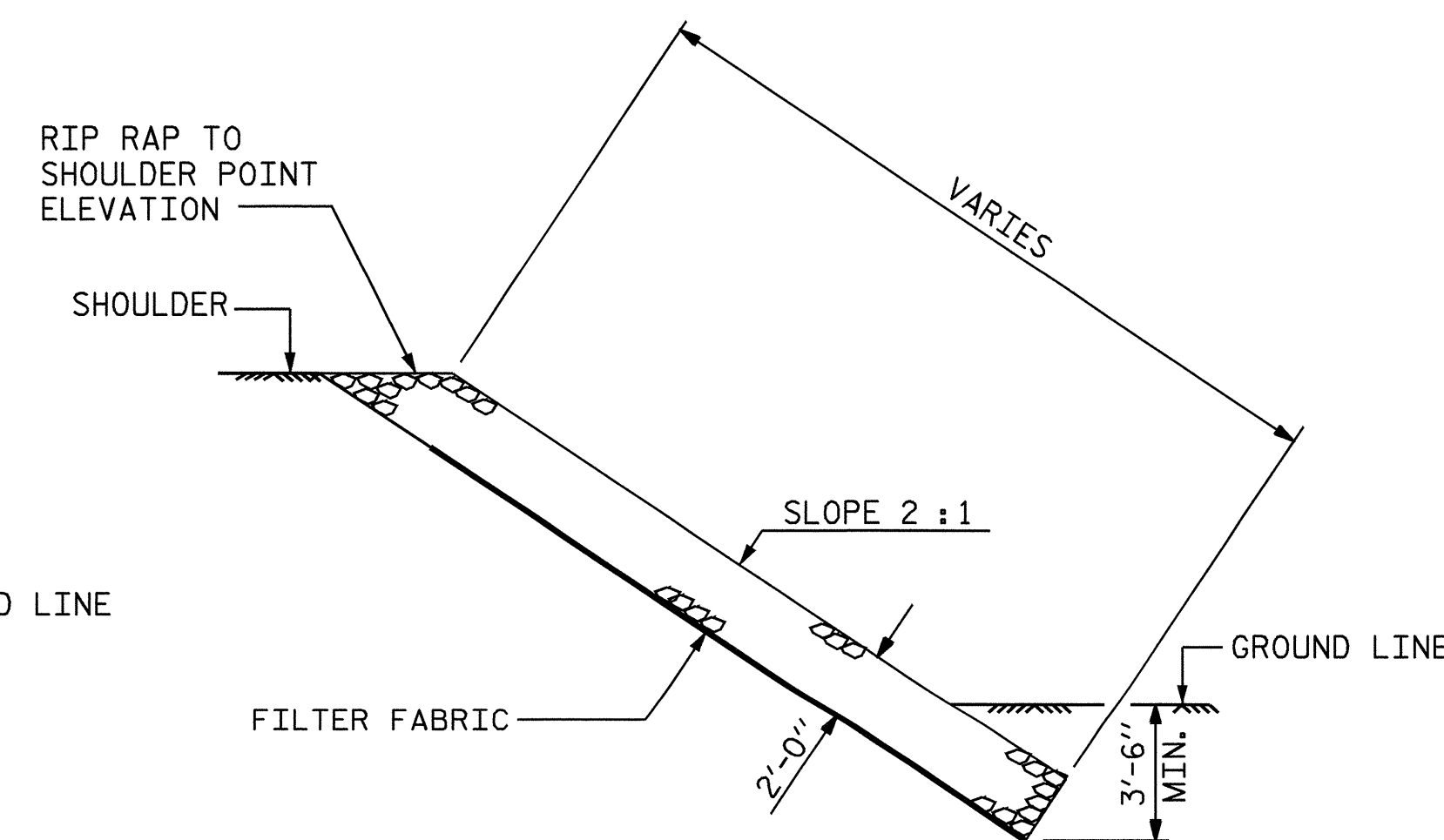
PLAN



SECTION H-H



**SECTION C-C
 BERM RIP RAPPED**



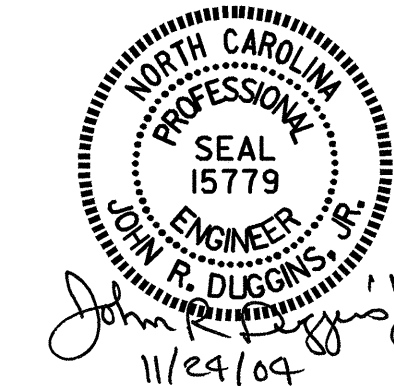
SECTION C-C

PROJECT NO. B-3522
 WAKE COUNTY
 STATION: 26+10.50 -L-

STATE OF NORTH CAROLINA
 DEPARTMENT OF TRANSPORTATION
 RALEIGH

— RIP RAP DETAILS —

REVISIONS						SHEET NO.
NO.	BY:	DATE:	NO.	BY:	DATE:	S-19
1			3			TOTAL SHEETS
2			4			21



ASSEMBLED BY : M. POOLE DATE : 10/04
 CHECKED BY : J. R. DUGGINS DATE : 11/04
 DRAWN BY : FCJ 2/88 REV. 7/17/98 REK/RWW
 CHECKED BY : ARB 8/88 REV. 8/16/99 RWW/LES
 REV. 10/17/00 RWW/LES