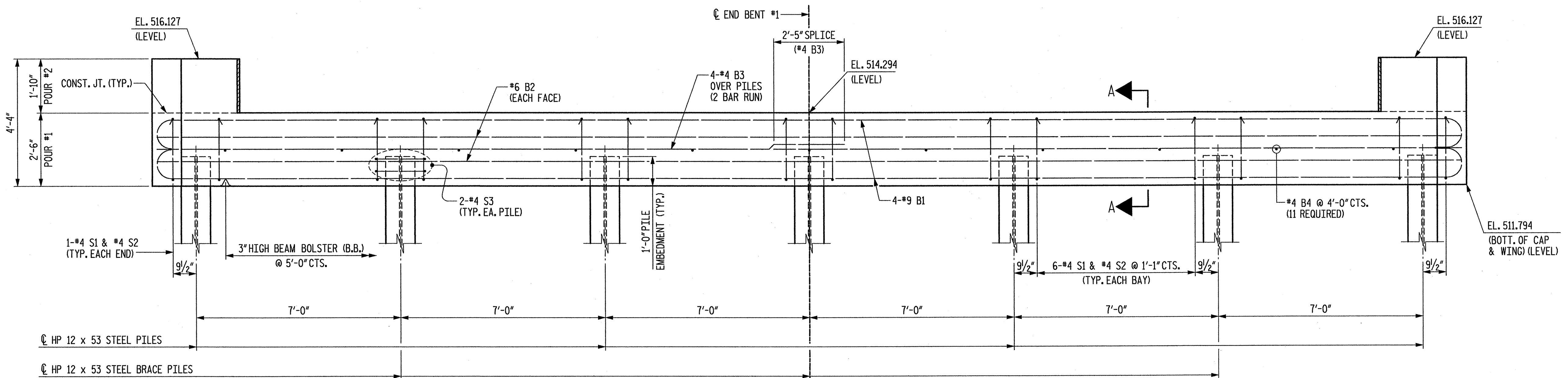


PLAN



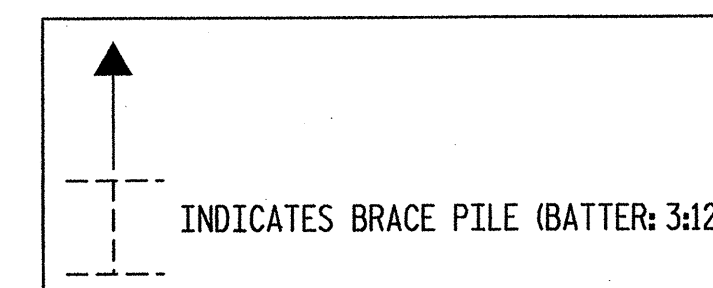
ELEVATION

PROJECT NO. 36971  
 COUNTY: UNION  
 STATION: 17 + 51.30  
 REPLACES BRIDGE NO. 33

STATE OF NORTH CAROLINA  
 DEPARTMENT OF TRANSPORTATION  
 RALEIGH

CAST - IN - PLACE  
 END BENT NO. 1  
 50' SPAN WITH APPROACH SLABS  
 36' CLEAR ROADWAY - 90° SKEW

NOTES:  
 STIRRUPS IN CAP MAY BE SHIFTED SLIGHTLY AS NECESSARY TO CLEAR DOWELS.



NOT TO SCALE

Plans prepared by:  
**KO & ASSOCIATES, P.C.**  
 Consulting Engineers  
 101 SCHAUB DR. SUITE #202  
 RALEIGH, N.C. 27606  
 For Division of Highways

REVISIONS						SHEET NO. 7
NO.	BY	DATE	NO.	BY	DATE	
1			3			TOTAL SHEETS 24
2			4			