

8/17/99
10/20/2004 P:\01\B\33-psht.dgn

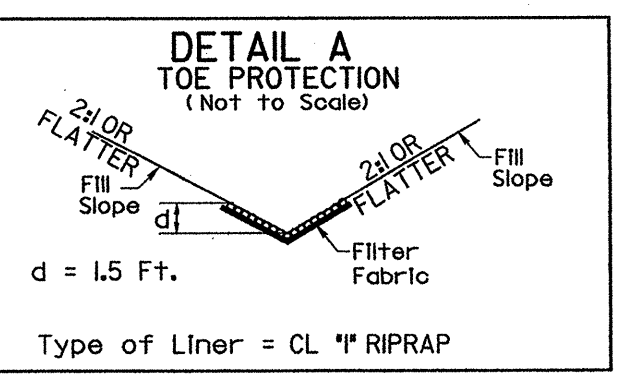
DATUM DESCRIPTION

THE LOCALIZED COORDINATE SYSTEM DEVELOPED FOR THIS PROJECT IS BASED ON THE STATE PLANE COORDINATES ESTABLISHED BY NCDOT FOR MONUMENT "B4236-2"
 WITH NAD 83 STATE PLANE GRID COORDINATES OF NORTHING: 4439829526ft EASTING: 1474232.194ft
 THE AVERAGE COMBINED GRID FACTOR USED ON THIS PROJECT (GROUND TO GRID) IS: 0.99986500
 THE N.C. LAMBERT GRID BEARING AND LOCALIZED HORIZONTAL GROUND DISTANCE FROM "B4236-2" TO STATION 13+30.00 IS
 S 7°01'59.9" W, 2330.46'
 ALL LINEAR DIMENSIONS ARE LOCALIZED HORIZONTAL DISTANCES
 VERTICAL DATUM USED IS NAVD 88

RIGHT OF WAY AREA DATA

PARCEL NO.	PROPERTY OWNERS NAME	TOTAL ACREAGE	AREA TAKEN	AREA REMAINING RIGHT	AREA REMAINING LEFT	CONSTR. EASEMENT	PERMANENT DRAINAGE EASEMENT	TEMPORARY DRAINAGE EASEMENT
1	T. ALFRED BROWNE, ETALS		0.16 ac					
2	JAMES M. & SUSAN M. DIEHL		0.16 ac					
3	UNION COUNTY C/O PUBLIC WORKS		0.16 ac					
4	CHANDLER C. & SHARON L. JAMES		0.16 ac					

PI Sta 24+11.70
 $\Delta = 2' 40' 52.5" (LT)$
 $D = 0' 57' 47.5"$
 $L = 278.37'$
 $T = 139.21'$
 $R = 5,948.49'$



NCA PROJECT NO. MA10001B SHEET NO. 16

R/W SHEET NO.

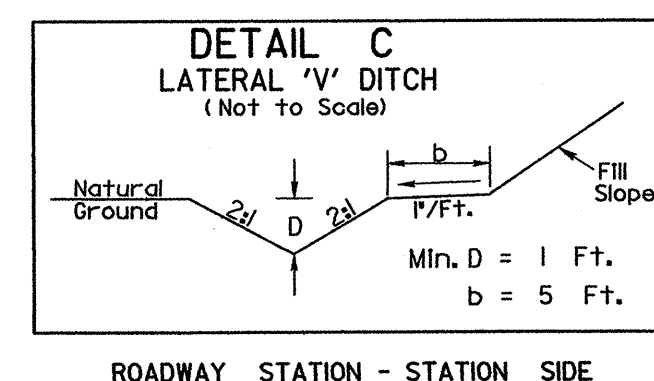
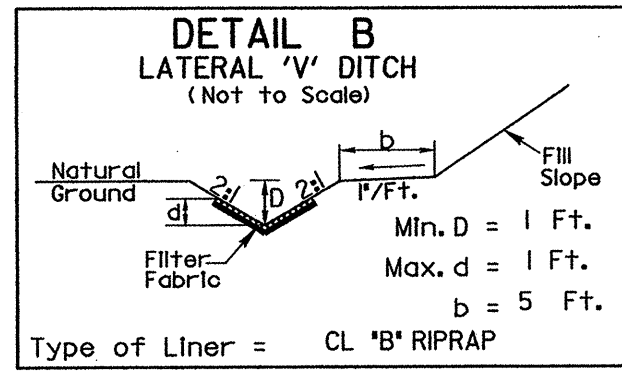
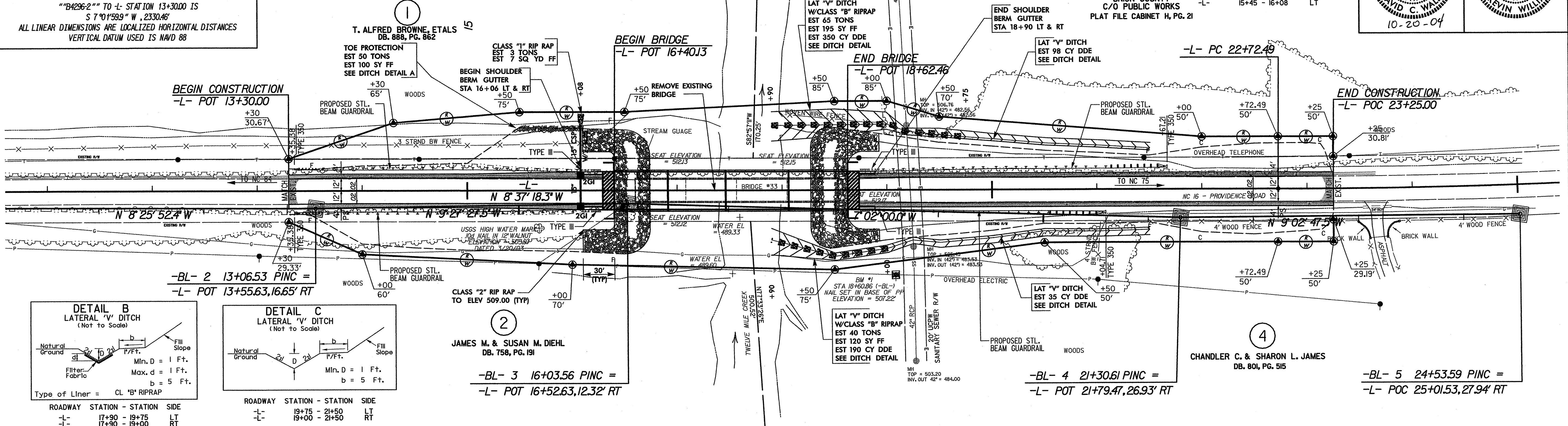
ROADWAY DESIGN ENGINEER: DAVID C. WALLER (Professional Seal No. 22606)

HYDRAULICS ENGINEER: KEVIN WILLIAMS (Professional Seal No. 20253)

UNION COUNTY C/O PUBLIC WORKS PLAT FILE CABINET H, PG. 21

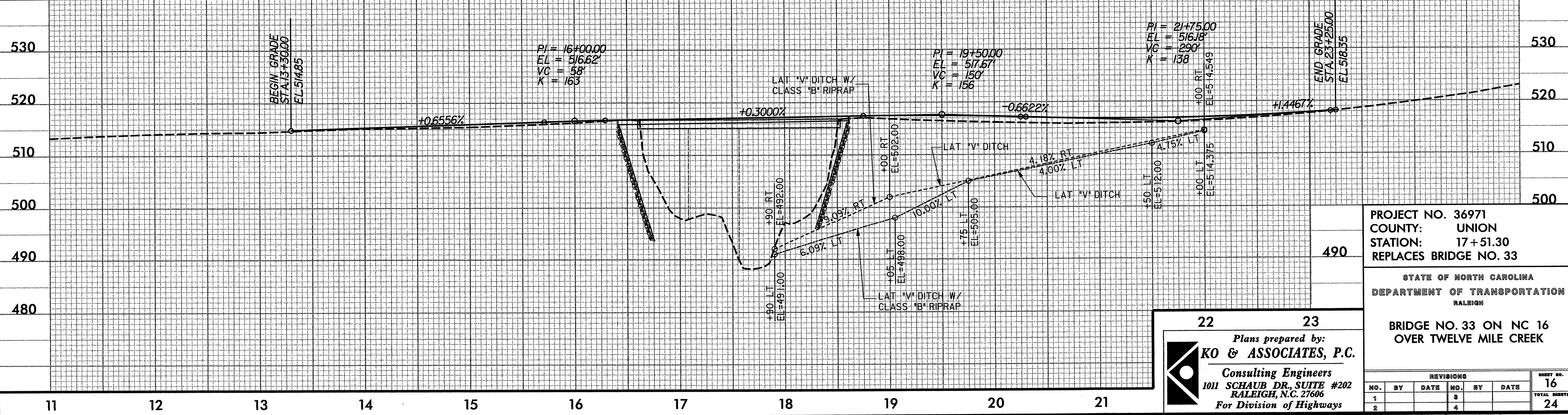
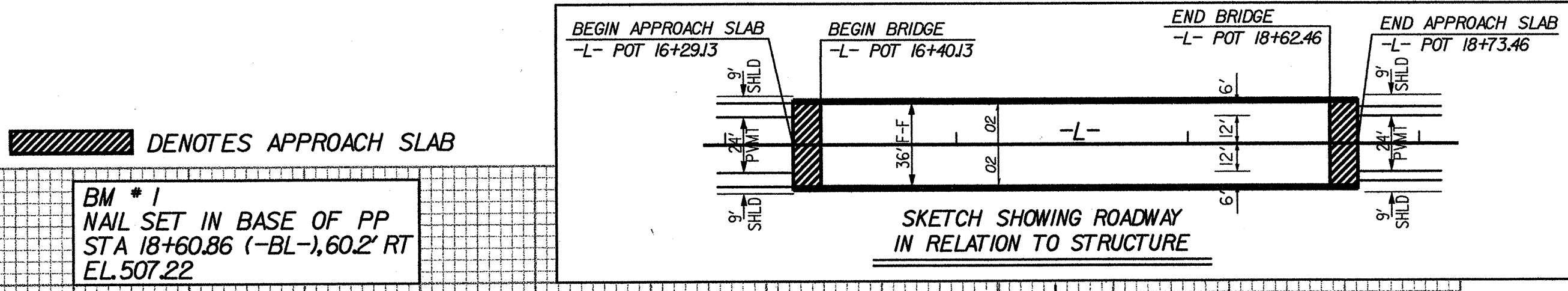
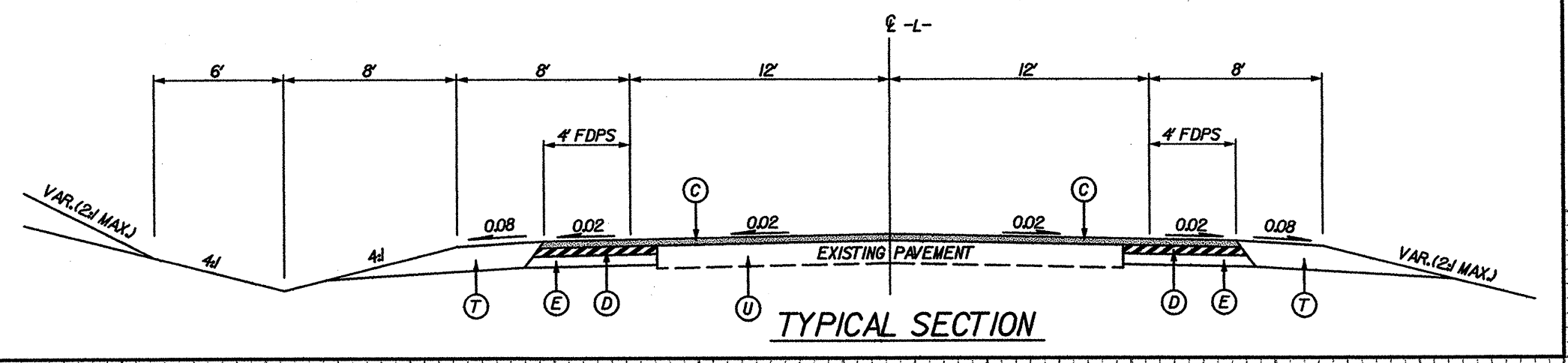
ROADWAY STATION - STATION SIDE: 15+45 - 16+08 LT

10-20-04



PAVEMENT SCHEDULE

(C)	2 1/2" SURFACE COURSE, TYPE S9.5C
(D)	4" INTERMEDIATE COURSE, TYPE I19.0C
(E)	5 1/2" BASE COURSE, TYPE B25.0B
(T)	EARTH MATERIAL
(U)	EXISTING PAVEMENT



22 23

Plans prepared by:
KO & ASSOCIATES, P.C.
 Consulting Engineers
 1011 SCHAUH DR., SUITE #202
 RALEIGH, N.C. 27606
 For Division of Highways

PROJECT NO. 36971
 COUNTY: UNION
 STATION: 17+51.30
 REPLACES BRIDGE NO. 33

STATE OF NORTH CAROLINA
 DEPARTMENT OF TRANSPORTATION
 RALEIGH

BRIDGE NO. 33 ON NC 16
 OVER TWELVE MILE CREEK

NO.	BY	DATE	NO.	BY	DATE
1			3		
2			4		

REVISIONS

SHEET NO. 16
 TOTAL SHEETS 24