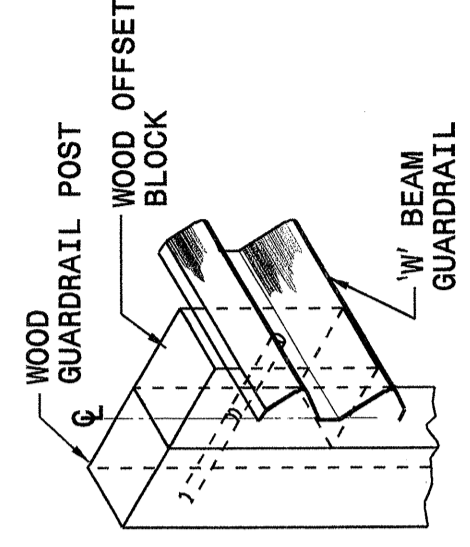
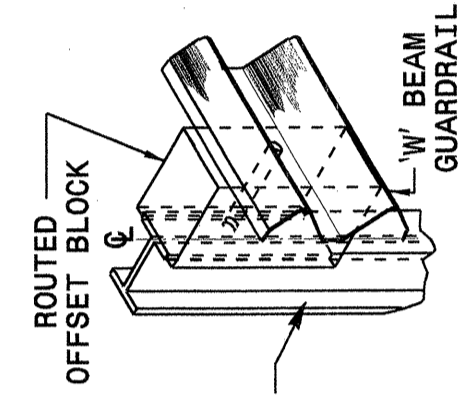
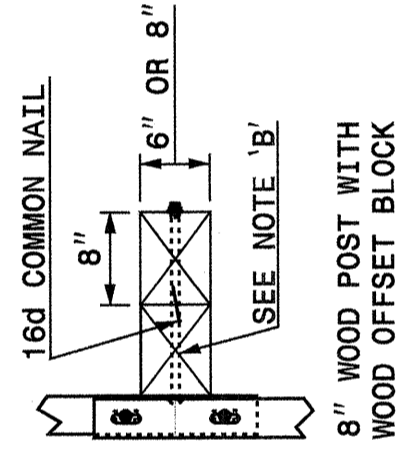
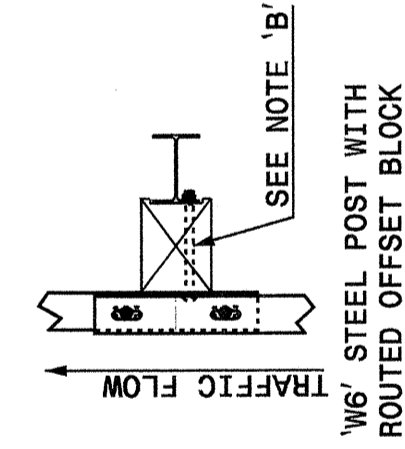
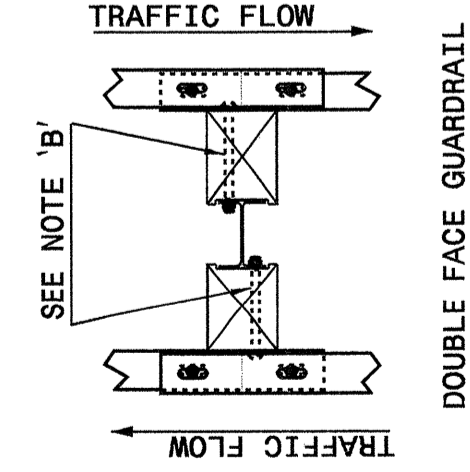


29-APR-2004 11:01 W:\Special Details\reviewer-d\stds\02\stds\english\862d02\0862d02.dgn

STATE OF NORTH CAROLINA  
DEPT. OF TRANSPORTATION  
DIVISION OF HIGHWAYS  
RALEIGH, N.C.

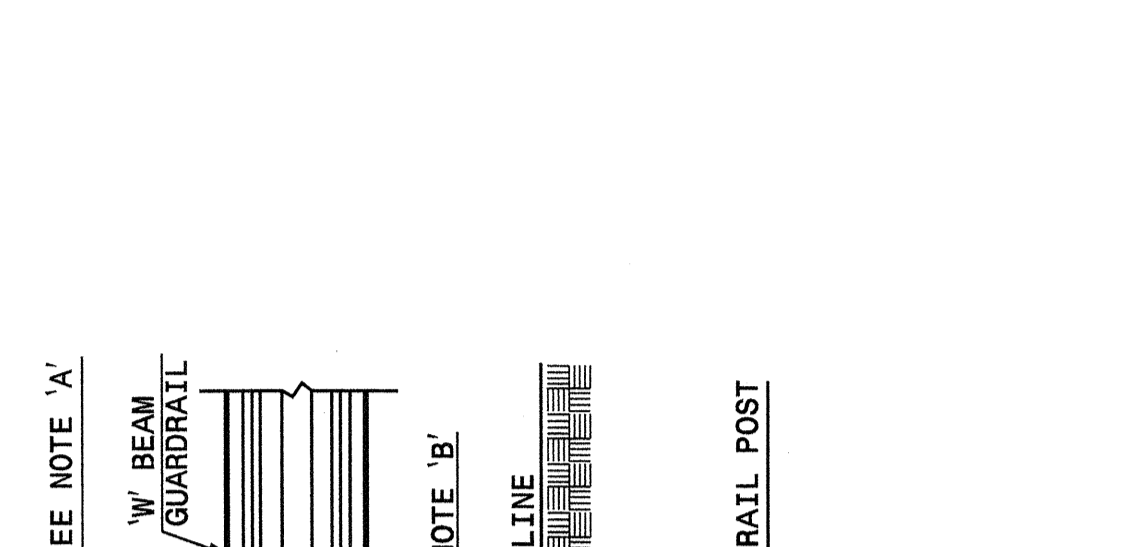
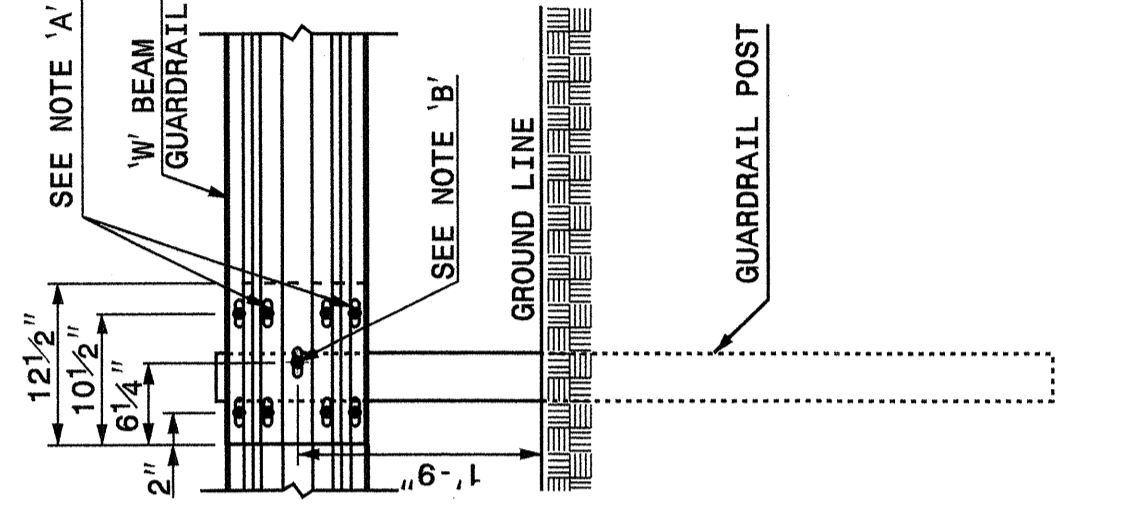
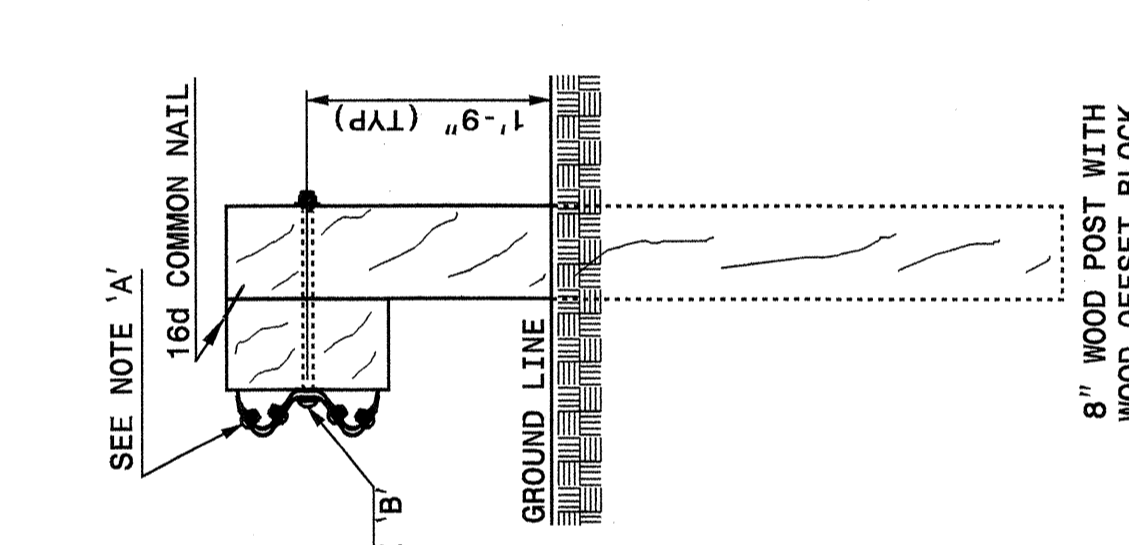
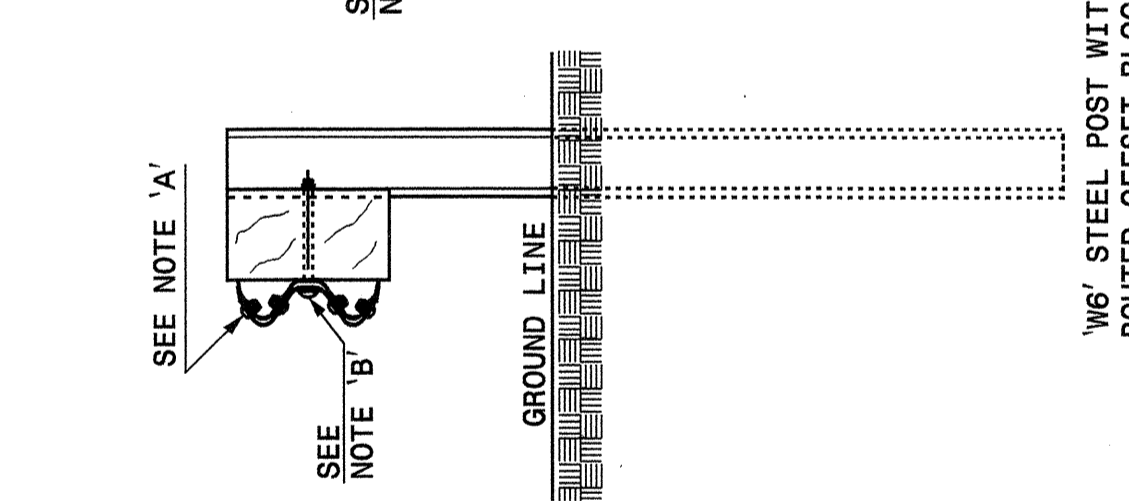
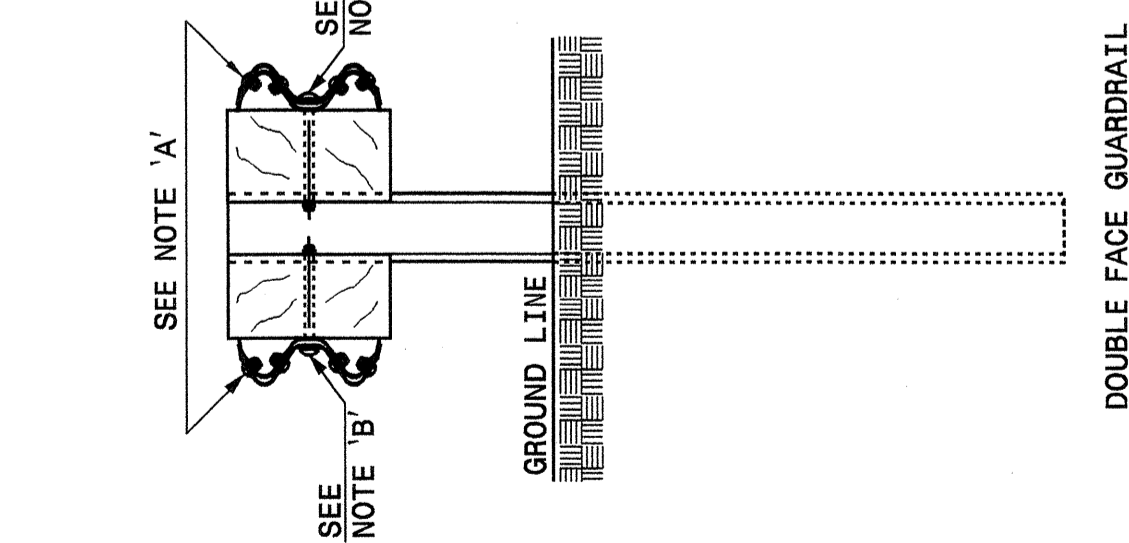
ENGLISH DETAIL DRAWING FOR  
**GUARDRAIL INSTALLATION**

SHEET 3 OF 7  
**862D02**



**PLAN**

**ISOMETRIC VIEWS**



**SIDE**

**FRONT**

- NOTES:  
 A - 3/8" DIA. BUTTON HEAD SPlice BOLT 1 1/4" LONG (8 REQ. PER SPlice JOINT).  
 B - 5/8" DIA. BUTTON HEAD BOLT 7 1/2" / 9" LONG WITH NUT FOR BOLTING 6" / 8" ROUTED OFFSET BLOCK TO STEEL POSTS OR  
 5/8" DIA. BUTTON HEAD BOLT 18" LONG WITH STD. WASHER UNDER NUT FOR BOLTING TO WOOD POSTS (1 REQ. PER LOCAtION)  
 C - FIELD PUNCHING OF HOLES INTO GUARDRAIL SHALL BE AS DIRECTED BY THE ENGINEER.

**TYPICAL GUARDRAIL AND GUARDRAIL POST ALTERNATIVES**

STATE OF NORTH CAROLINA  
DEPT. OF TRANSPORTATION  
DIVISION OF HIGHWAYS  
RALEIGH, N.C.

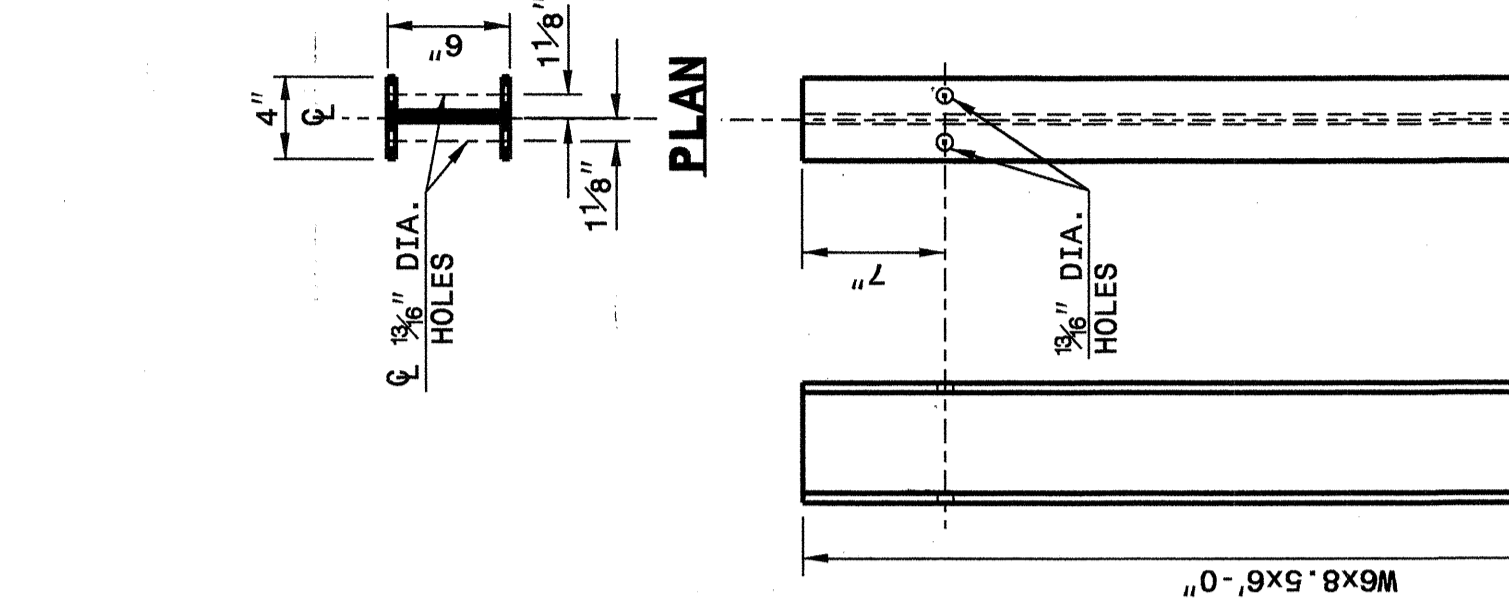
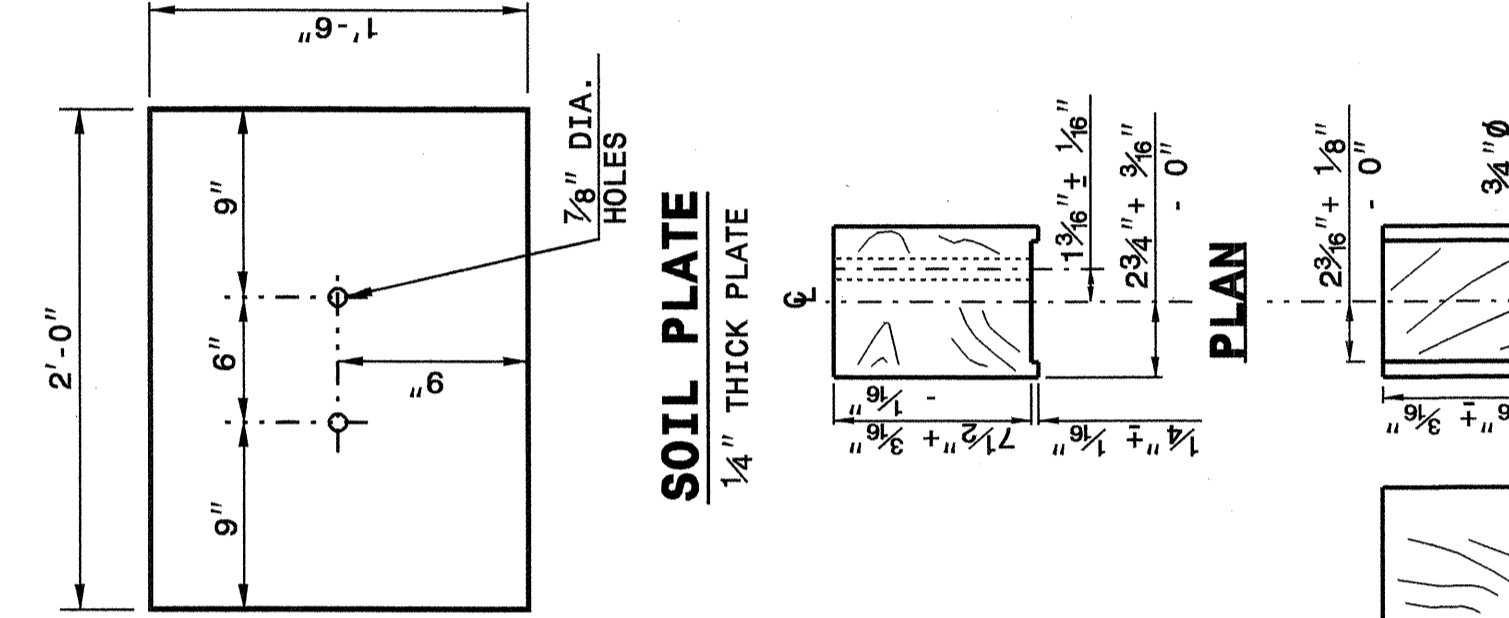
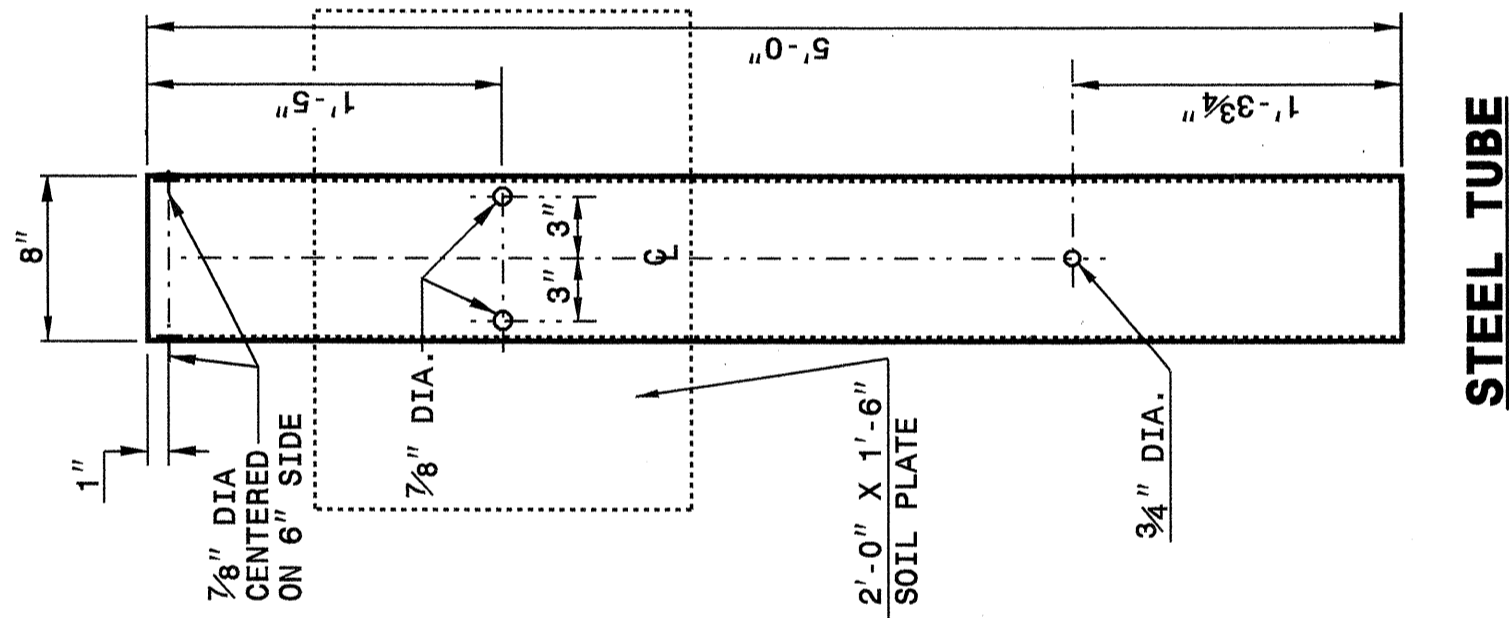
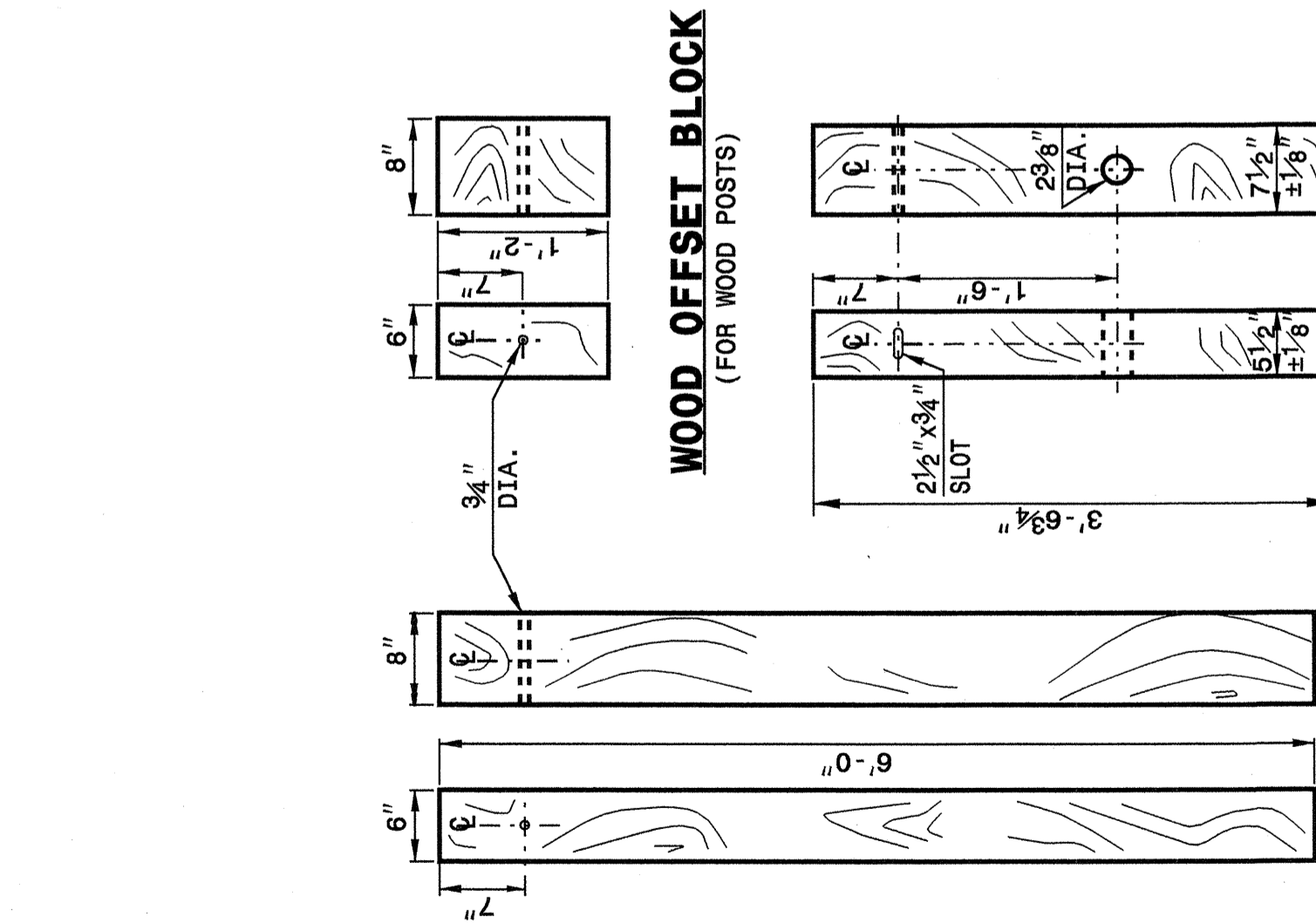
ENGLISH DETAIL DRAWING FOR  
**GUARDRAIL INSTALLATION**

SHEET 3 OF 7  
**862D02**

STATE OF NORTH CAROLINA  
DEPT. OF TRANSPORTATION  
DIVISION OF HIGHWAYS  
RALEIGH, N.C.

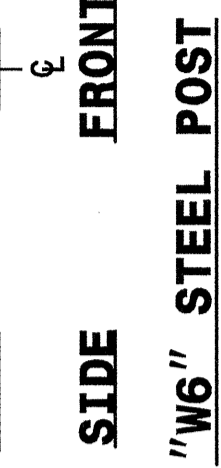
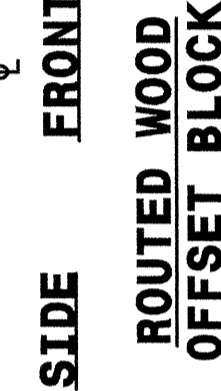
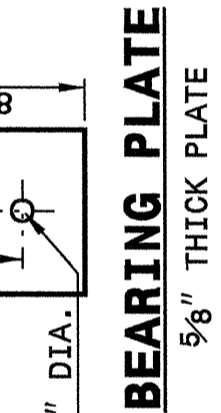
ENGLISH DETAIL DRAWING FOR  
**GUARDRAIL INSTALLATION**

SHEET 4 OF 7  
**862D02**



**STANDARD LINE POST**

**SHORT WOOD BREAKAWAY POST**



**SYSTEM PARTS**

SHEET 4 OF 7  
**862D02**

DESIGN SERVICES UNIT  
STANDARDS AND SPECIAL DESIGN  
Office 919-250-4128 FAX 919-250-4119

**SEE PLATE FOR TITLE**

ORIGINAL BY: 2002 STD. 862.02 DATE: 02-09-03  
 MODIFIED BY: E.E. WARD DATE: 4-29-04  
 CHECKED BY: [Signature] DATE: 11/1/04  
 FILE SPEC.: /usr/stds/02stdetail/english/86202/862d02.dgn

