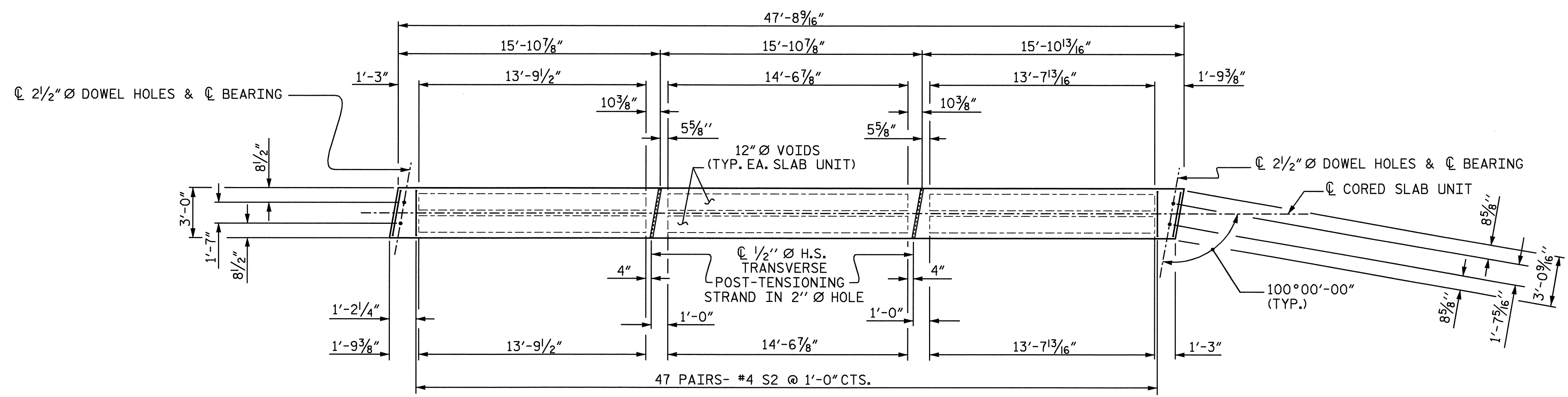


PLAN OF SPAN

* FOR PLACEMENT OF S1 & S3 BARS, SEE "PART PLAN EXTERIOR SECTION" SHEET 1 OF 3.



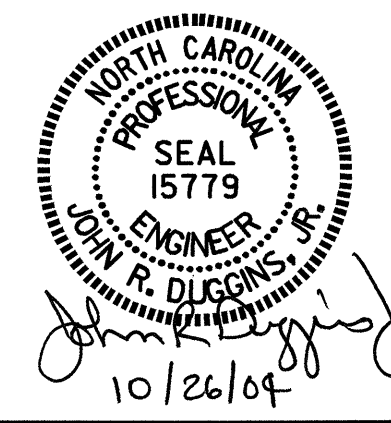
PLAN OF INTERIOR CORED SLAB UNIT

(INTERIOR SLAB UNIT SHOWN, EXTERIOR SLAB SIMILAR, SEE "PLAN OF SPAN" FOR ADDITIONAL REINFORCEMENT IN EXTERIOR SLAB UNITS DUE TO BARRIER RAIL)

PROJECT NO. B-3914
TRANSYLVANIA COUNTY
 STATION: 14+59.00 -L-
 SHEET 2 OF 3

STATE OF NORTH CAROLINA
 DEPARTMENT OF TRANSPORTATION
 RALEIGH

SUPERSTRUCTURE
 PLAN OF SPAN



DRAWN BY: M. POOLE DATE: 11/03
 CHECKED BY: J. LAMBERT DATE: 08/04

REVISIONS						SHEET NO.	
NO.	BY:	DATE:	NO.	BY:	DATE:	S-5	
1			3			TOTAL SHEETS	
2			4			18	