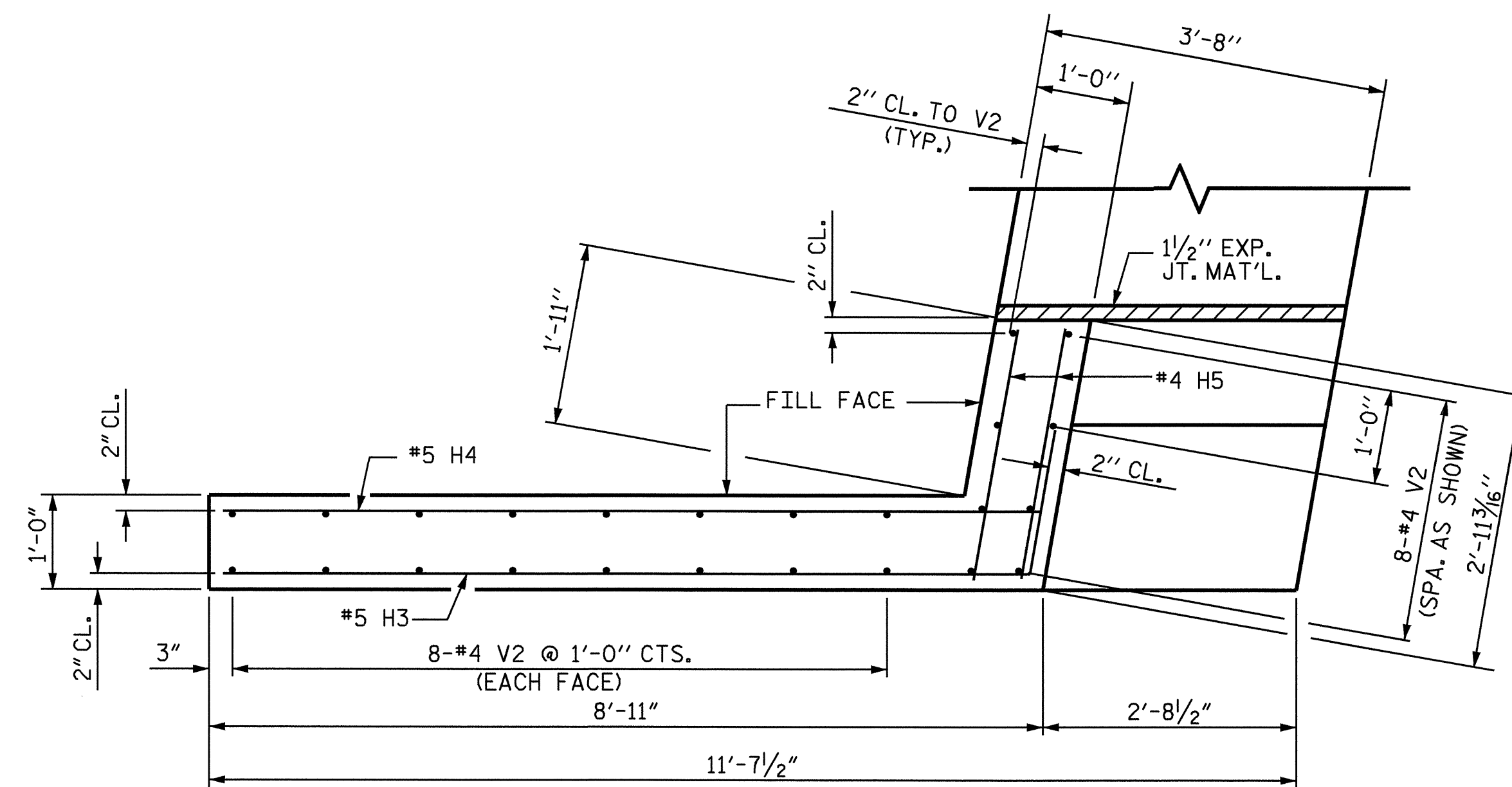
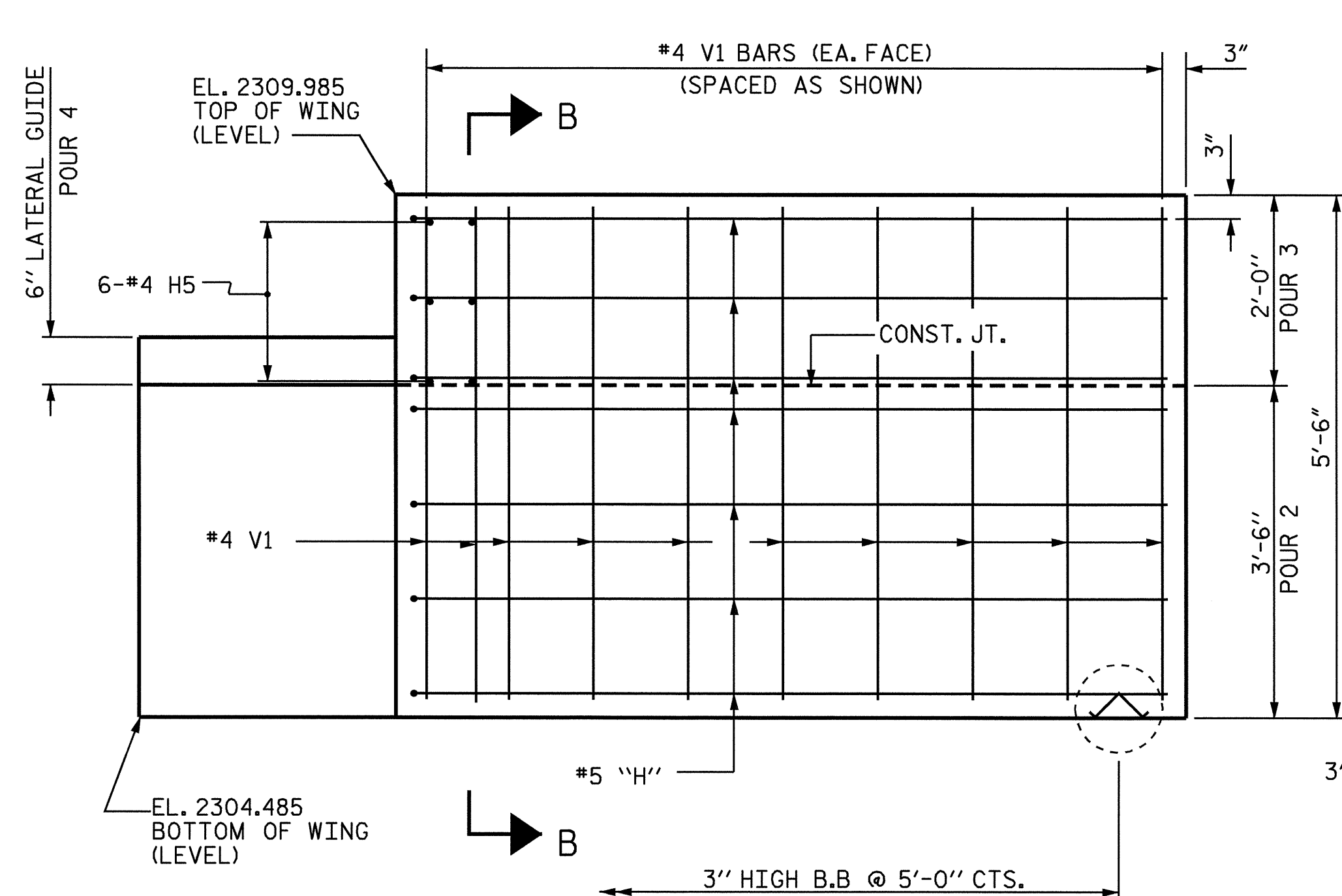


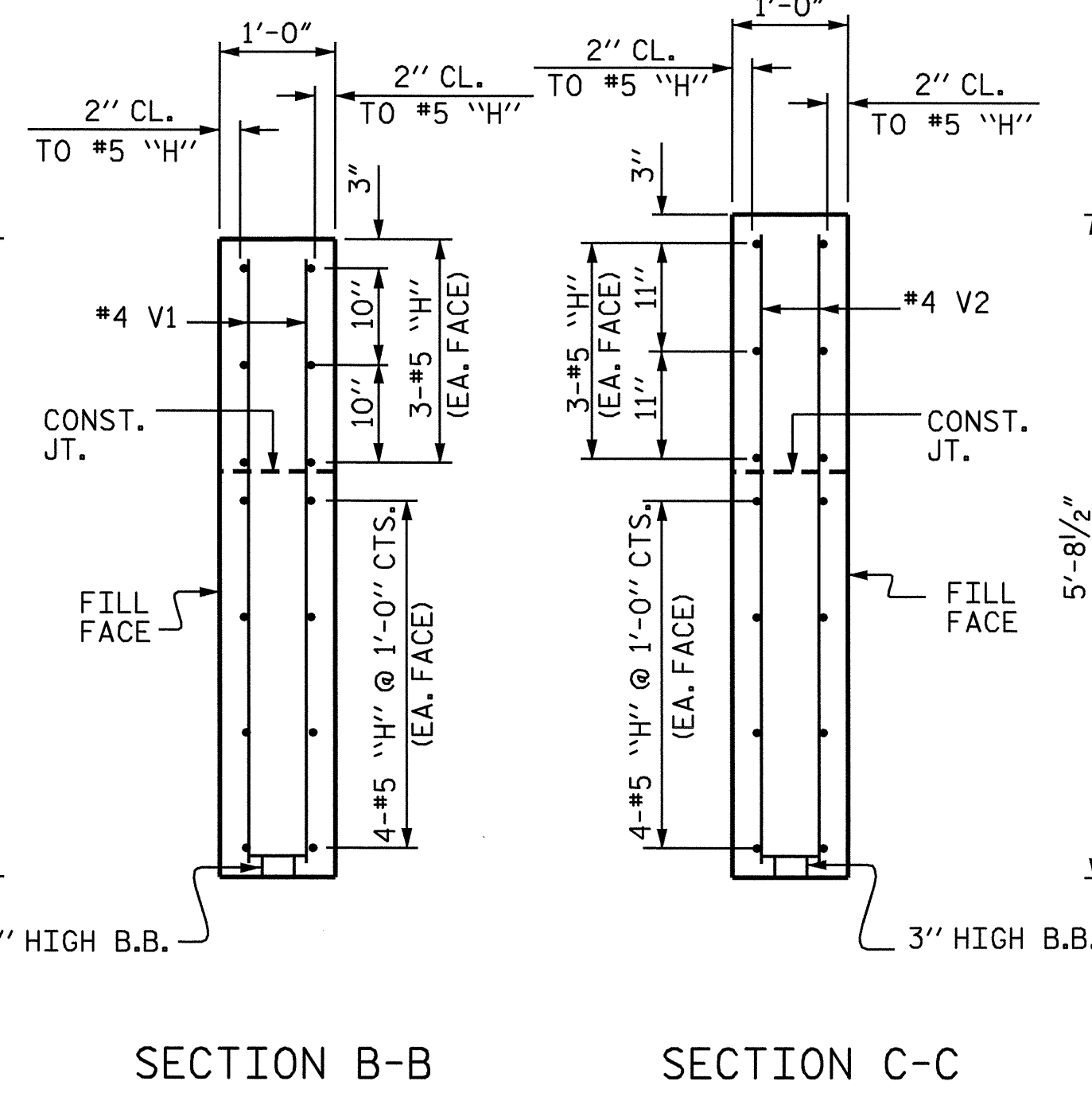
PLAN OF WING - W1



PLAN OF WING - W2

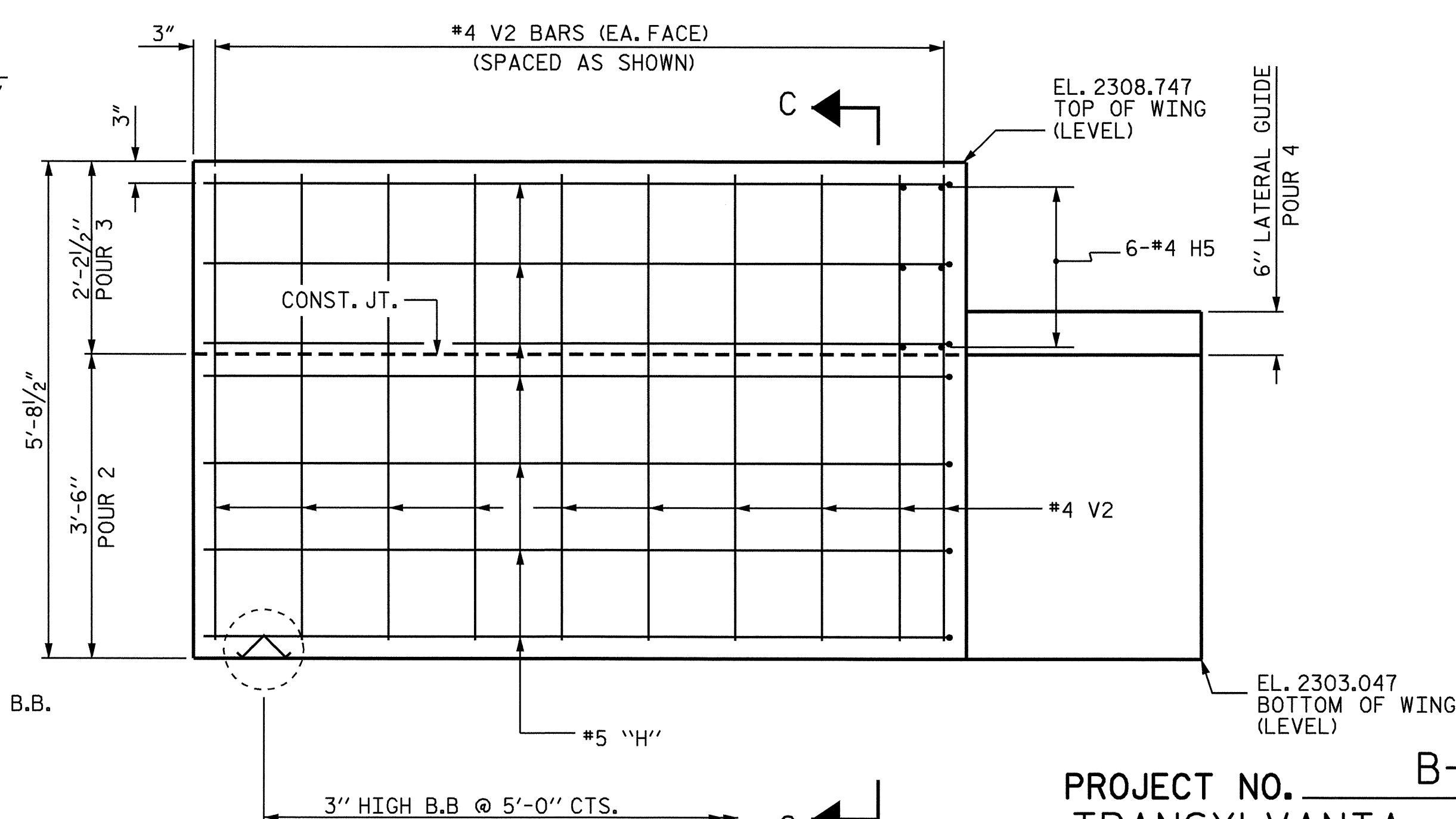


ELEVATION OF WING - W1



SECTION B-B

SECTION C-C



ELEVATION OF WING - W2

PROJECT NO. B-3914  
 TRANSYLVANIA COUNTY  
 STATION: 14+59.00 -L-

SHEET 2 OF 4

STATE OF NORTH CAROLINA  
 DEPARTMENT OF TRANSPORTATION  
 RALEIGH

SUBSTRUCTURE  
 END BENT 1



10/26/04

DRAWN BY: M. POOLE DATE: 09/04  
 CHECKED BY: D. HODGE DATE: 09/04

20-OCT-2004 10:06  
 W:\sdquaddz\B3914\mpoole\MICROS2\B3914.sd.E1.01.dgn  
 mpoole

REVISIONS						SHEET NO.
NO.	BY:	DATE:	NO.	BY:	DATE:	S-8
1			3			TOTAL SHEETS
2			4			18

NCB06