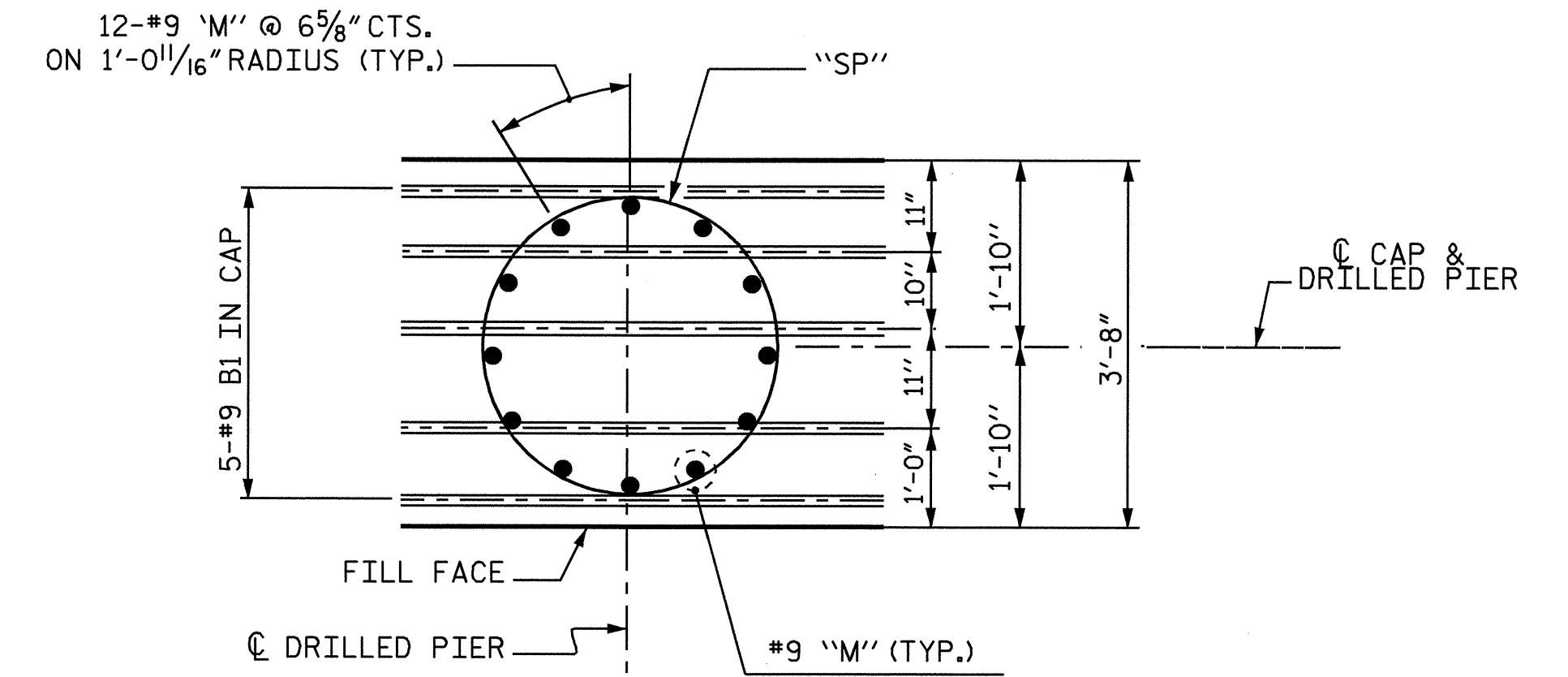


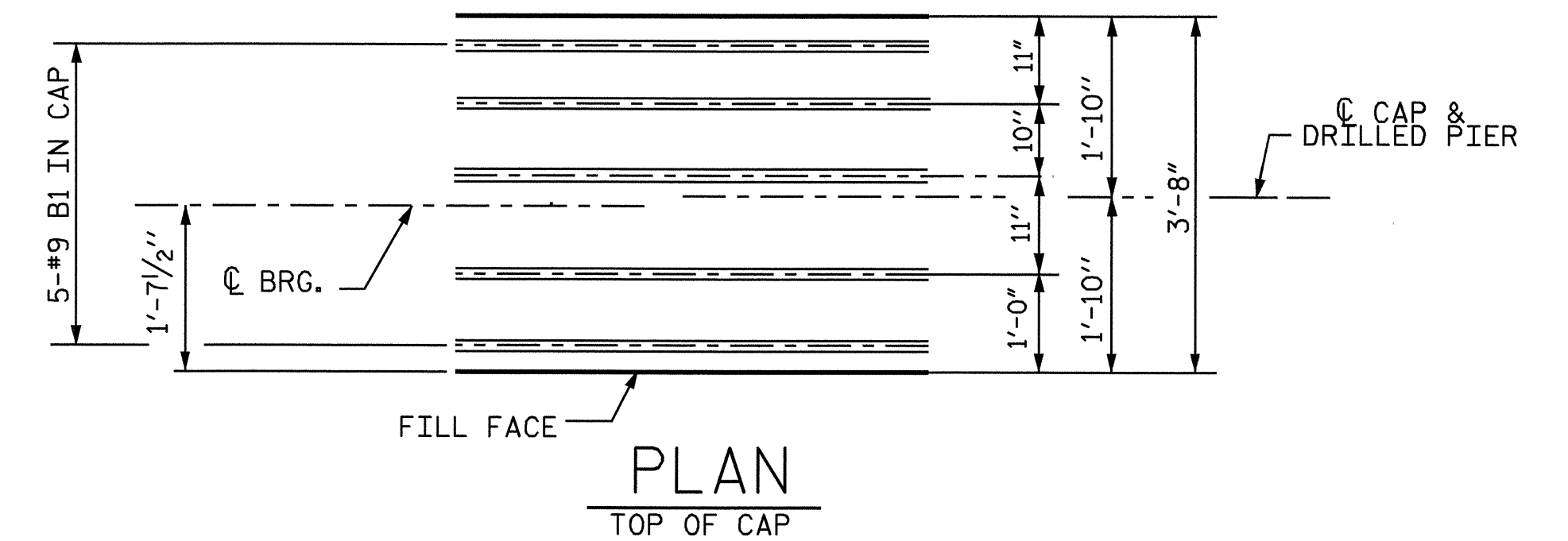
PLAN OF DRILLED PIERS

REINFORCING STEEL AND DIMENSIONS TYPICAL FOR ALL DRILLED PIERS

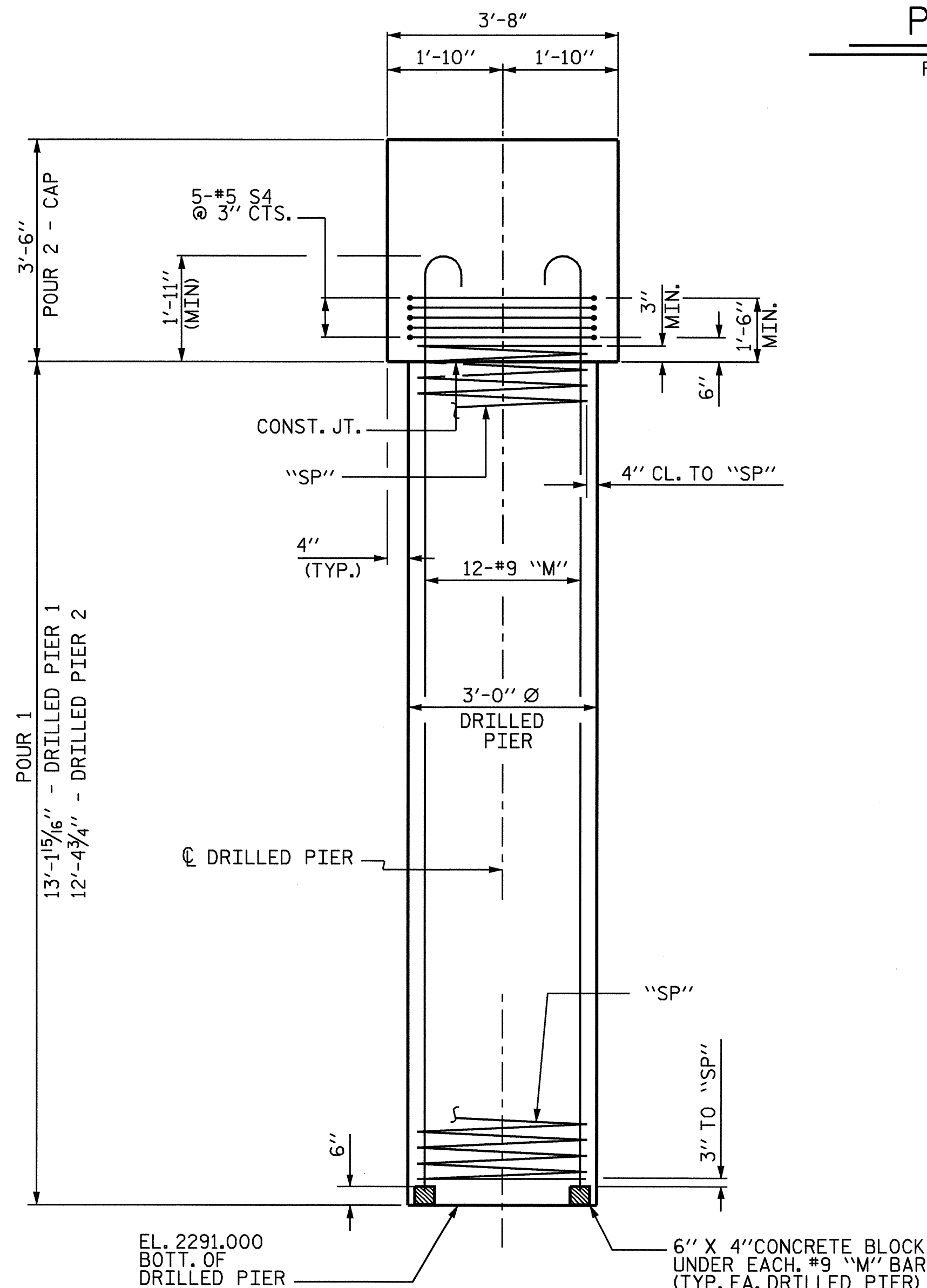


PLAN
BOTTOM OF CAP

NOTE: #9 "M" BARS TO BE PLACED IN DRILLED PIERS AS SHOWN.



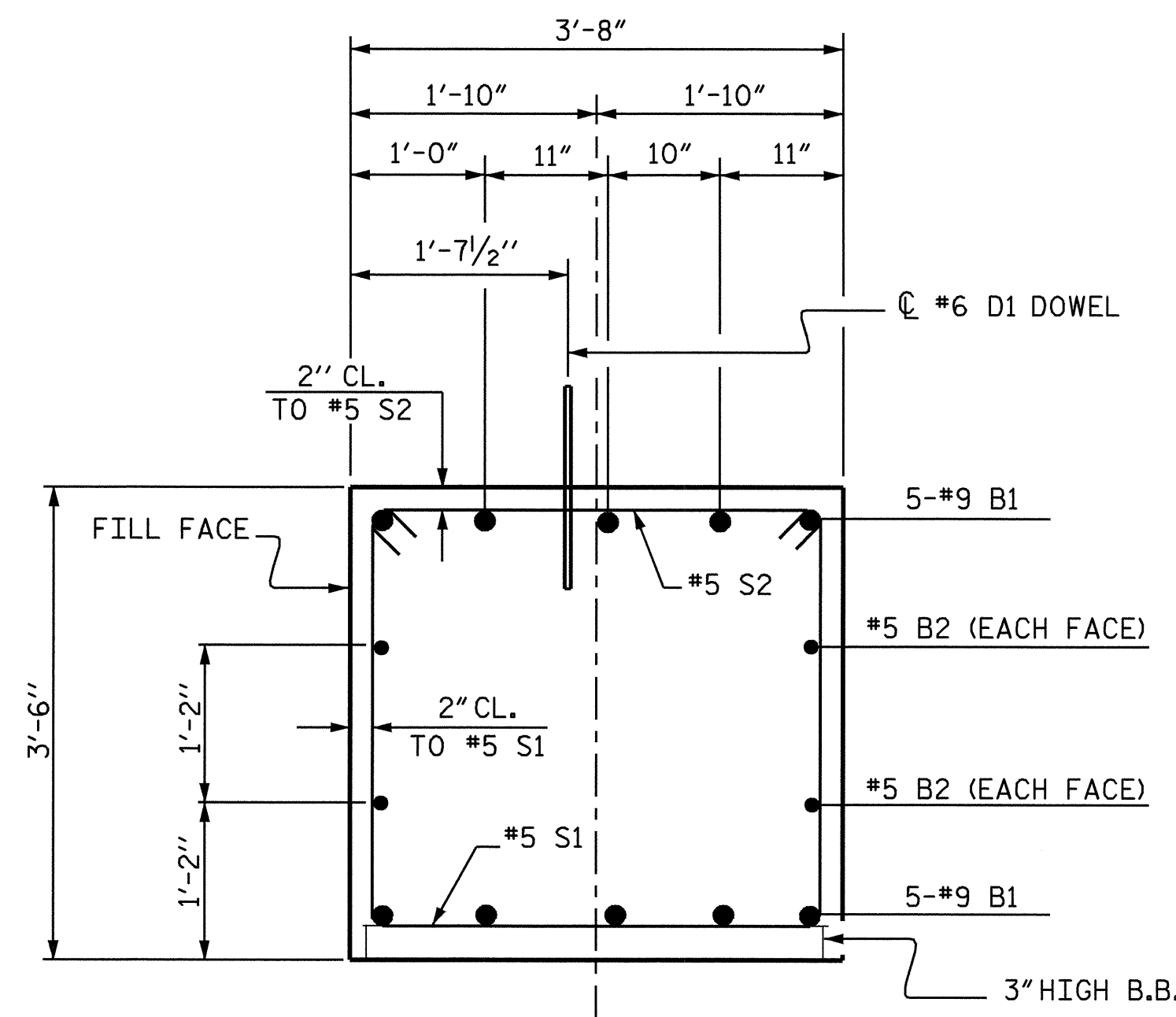
PLAN
TOP OF CAP



END ELEVATION

EL. 2291.000
BOIT. OF
DRILLED PIER

6" X 4" CONCRETE BLOCK
UNDER EACH #9 "M" BAR
(TYP. EA. DRILLED PIER)



SECTION THRU CAP

PROJECT NO. B-3914
 TRANSYLVANIA COUNTY
 STATION: 14+59.00 -L-

SHEET 3 OF 4

STATE OF NORTH CAROLINA
 DEPARTMENT OF TRANSPORTATION
 RALEIGH

SUBSTRUCTURE
 END BENT 1



REVISIONS						SHEET NO.	
NO.	BY:	DATE:	NO.	BY:	DATE:	S-9	
1			3			TOTAL SHEETS	18
2			4				

DRAWN BY: M. POOLE DATE: 07/04
 CHECKED BY: D. HODGE DATE: 09/04