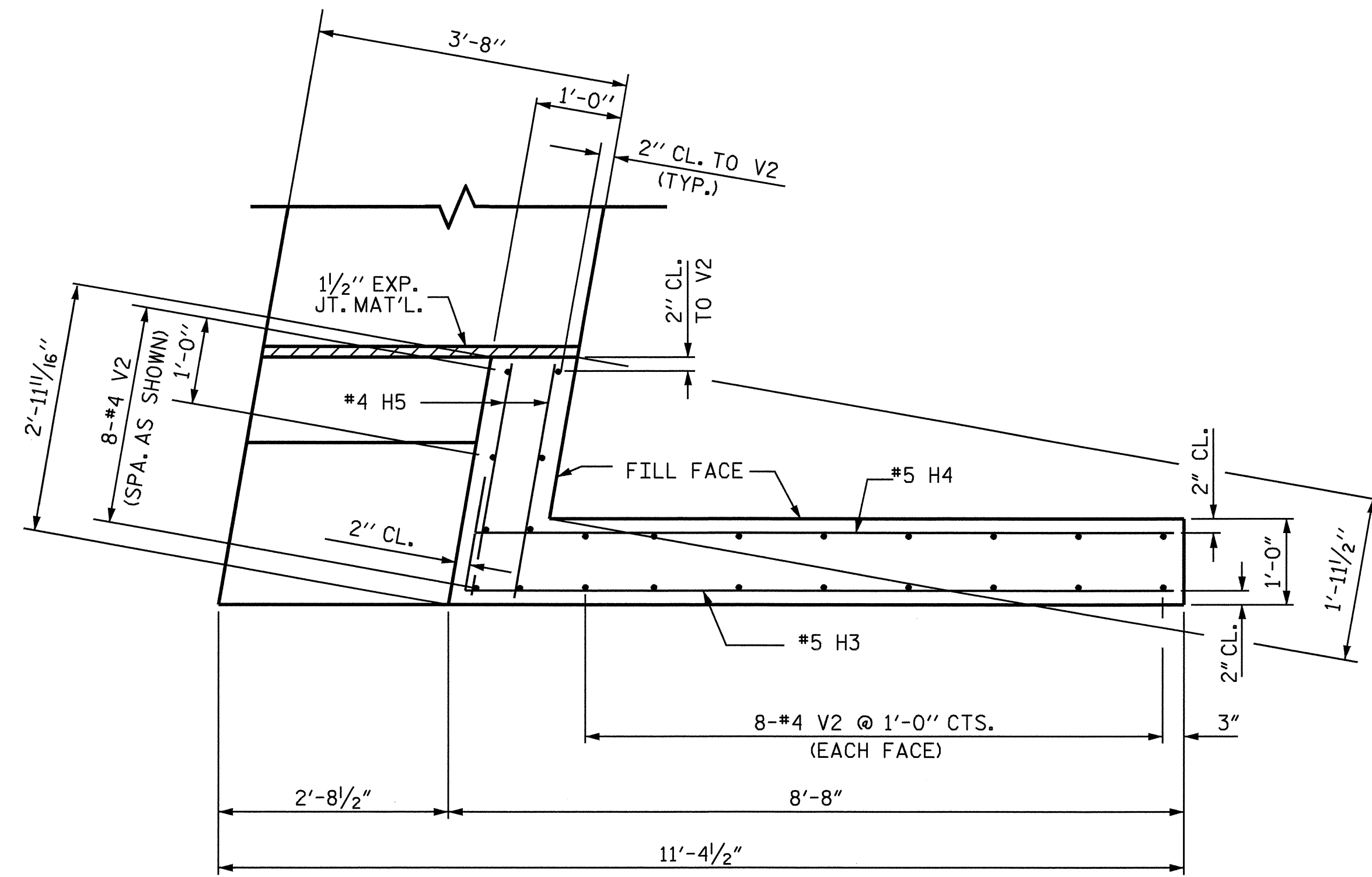
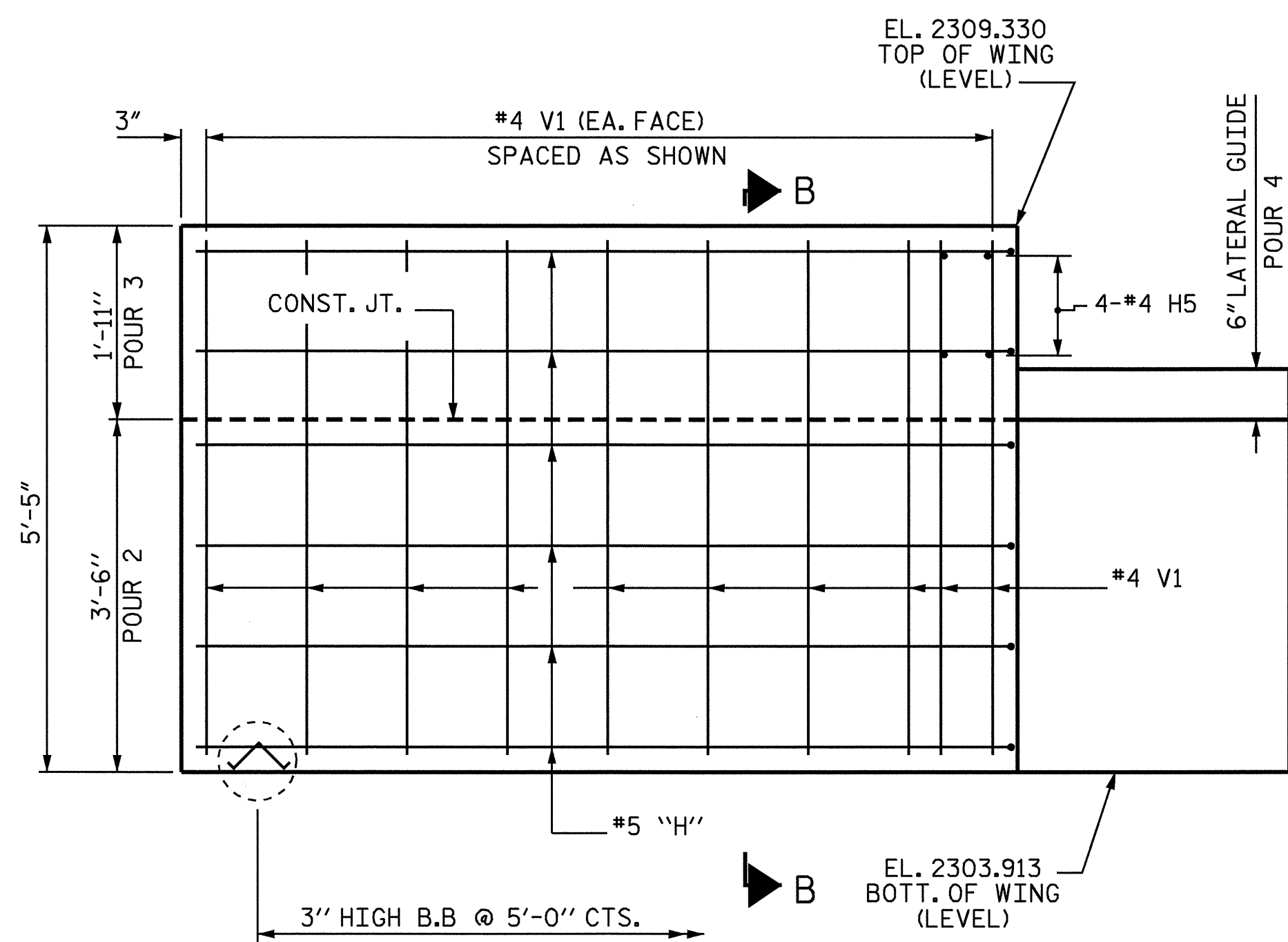


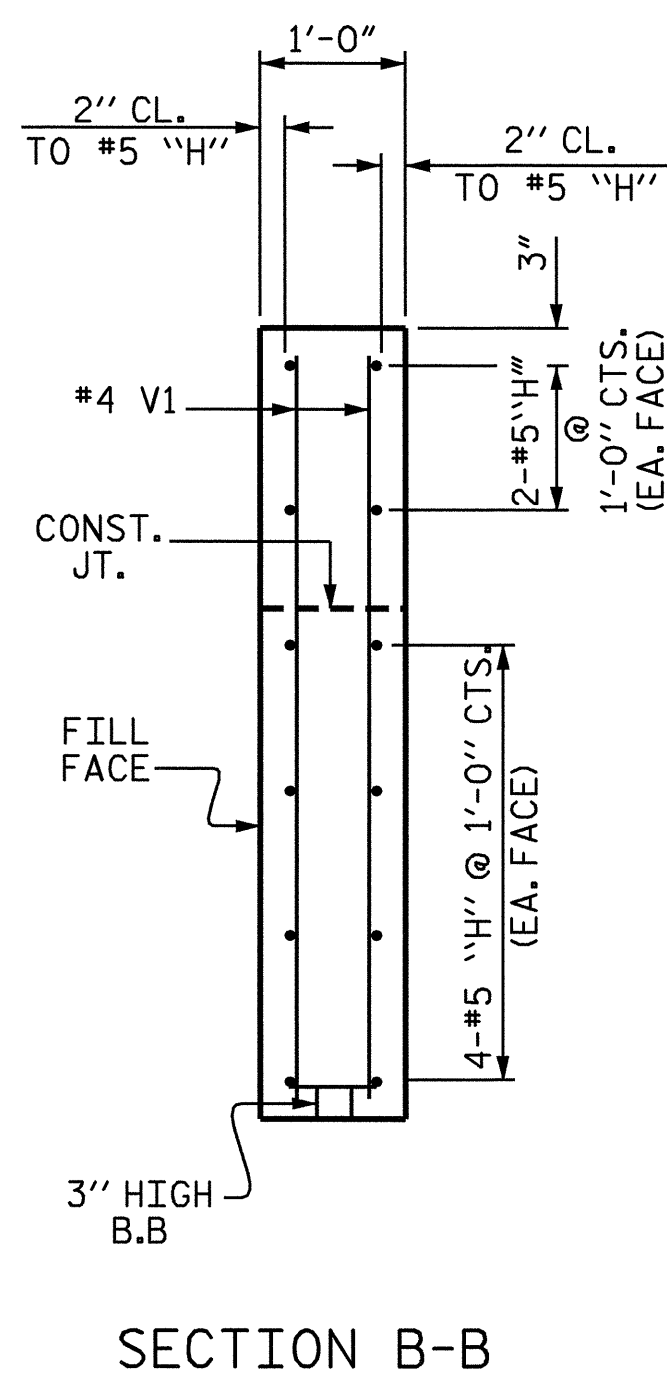
PLAN OF WING - W1



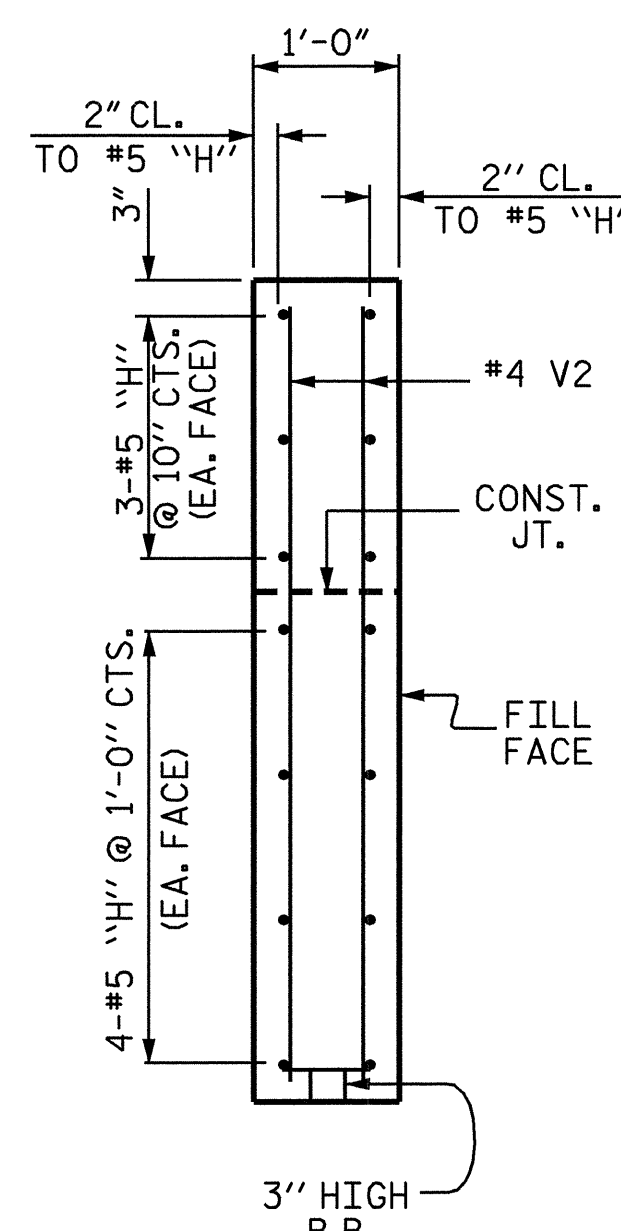
PLAN OF WING - W2



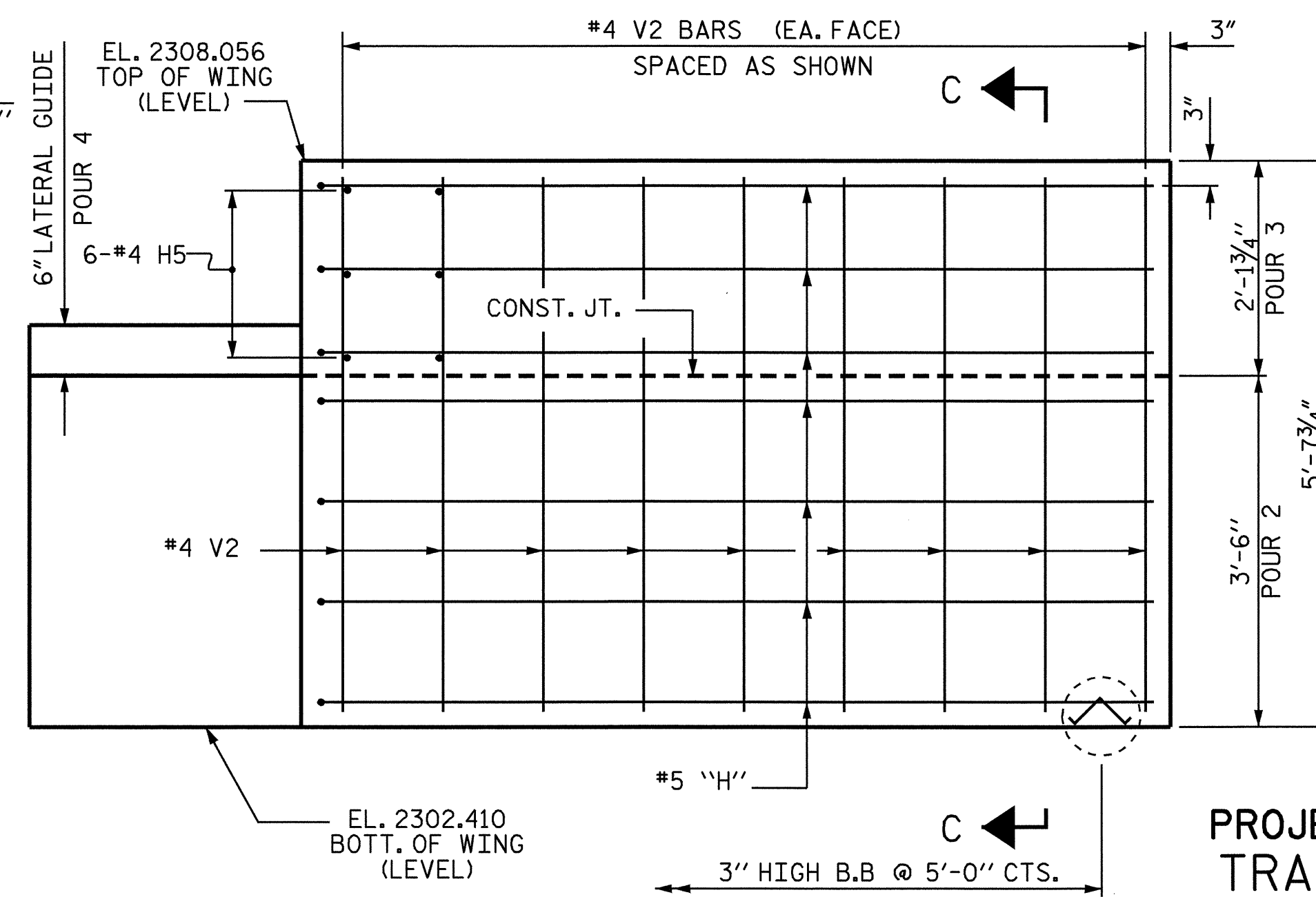
ELEVATION OF WING - W1



SECTION B-B



SECTION C-C



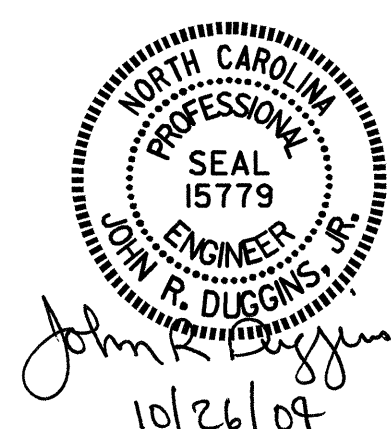
ELEVATION OF WING - W2

PROJECT NO. B-3914  
 TRANSYLVANIA COUNTY  
 STATION: 14+59.00 -L-

SHEET 2 OF 4

STATE OF NORTH CAROLINA  
 DEPARTMENT OF TRANSPORTATION  
 RALEIGH

SUBSTRUCTURE  
 END BENT 2



DRAWN BY: M. POOLE DATE: 09/04  
 CHECKED BY: D. HODGE DATE: 09/04

20-OCT-2004 10:03  
 W:\sdquaddz\3914\mpoole\MICROS\B3914\_sd.E2\_01.dgn  
 mpoole

| REVISIONS |     |       |     |     |       | SHEET NO. |    |
|-----------|-----|-------|-----|-----|-------|-----------|----|
| NO.       | BY: | DATE: | NO. | BY: | DATE: | S-12      |    |
| 1         |     |       | 3   |     |       | TOTAL     | 18 |
| 2         |     |       | 4   |     |       | SHEETS    |    |