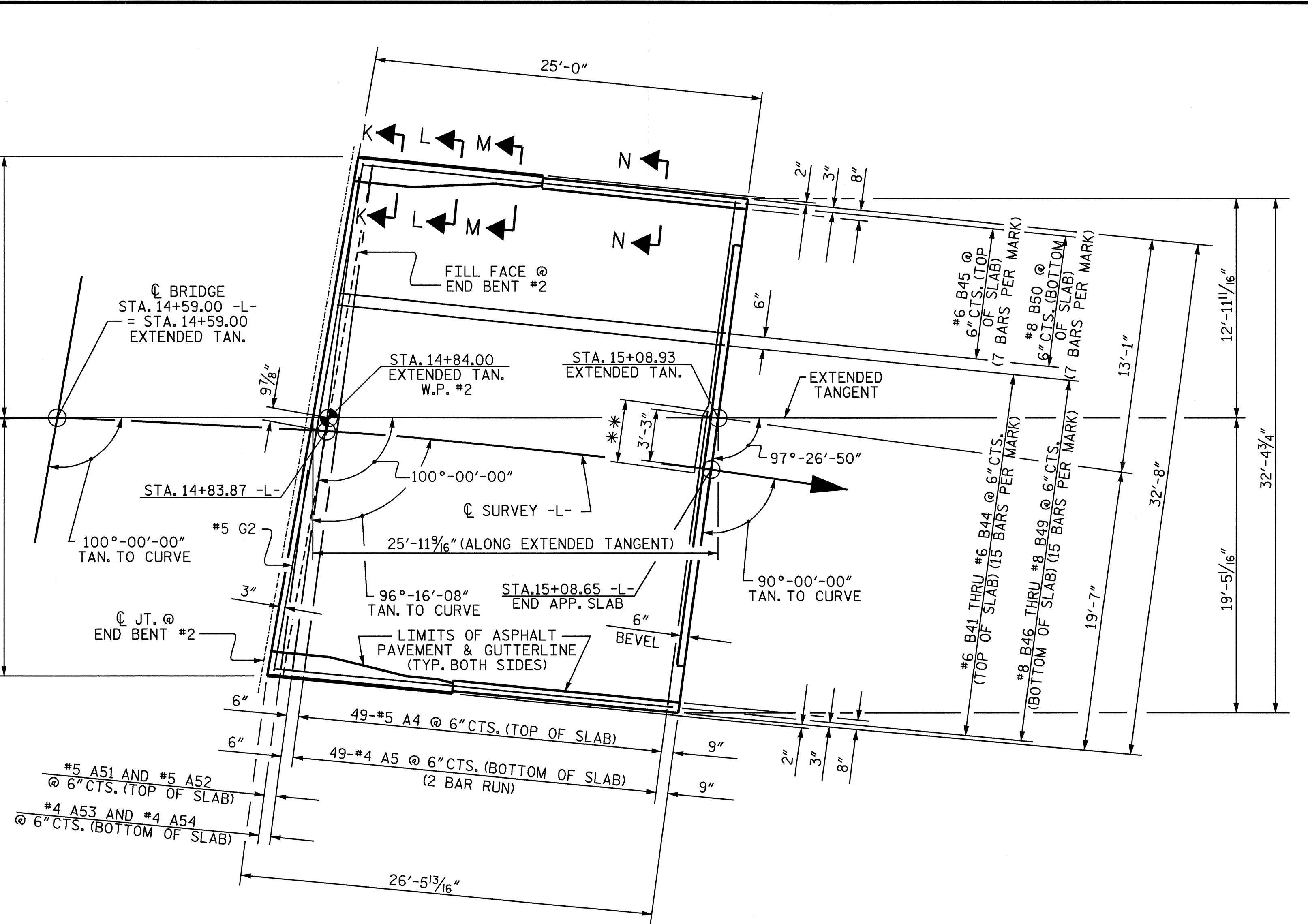
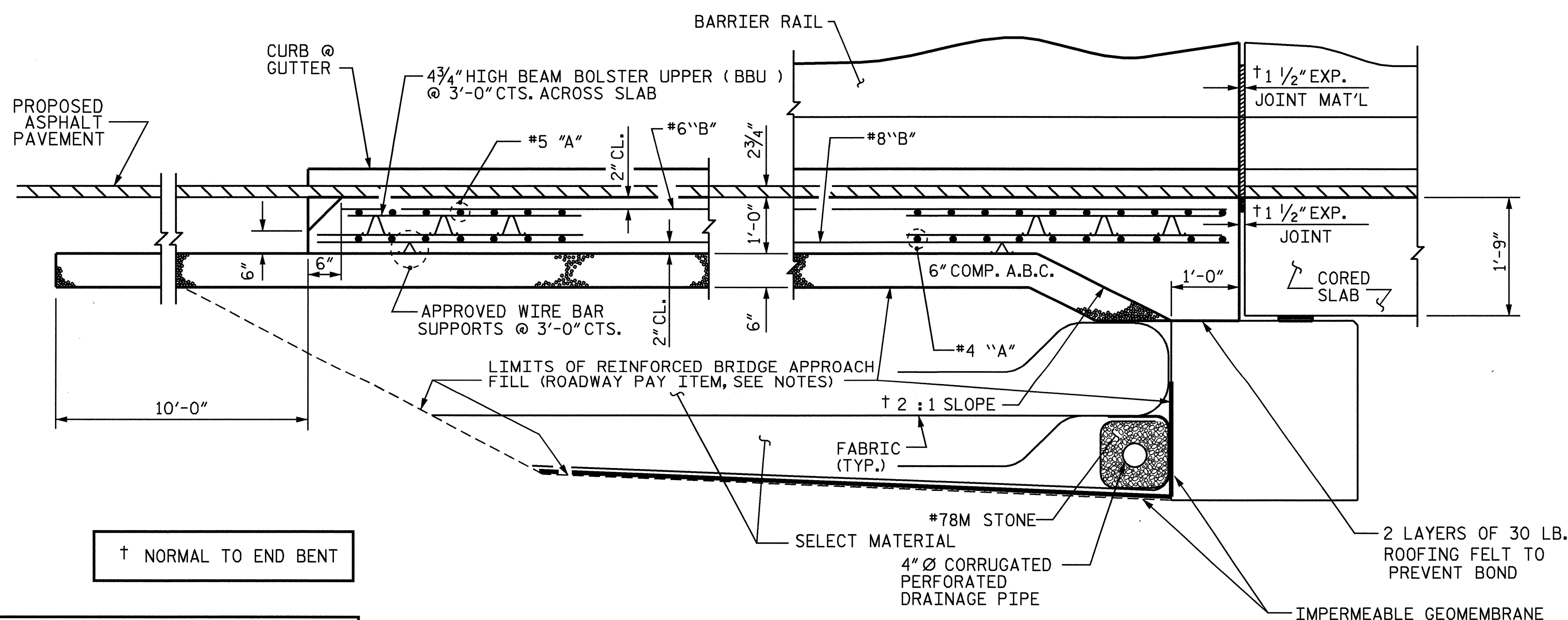


PLAN OF APPROACH SLAB AT END BENT #1

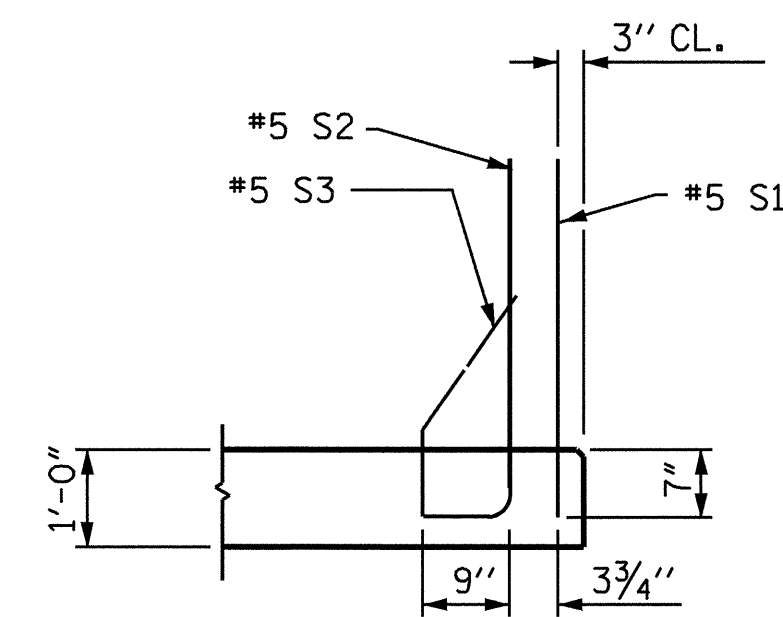


PLAN OF APPROACH SLAB AT END BENT #2

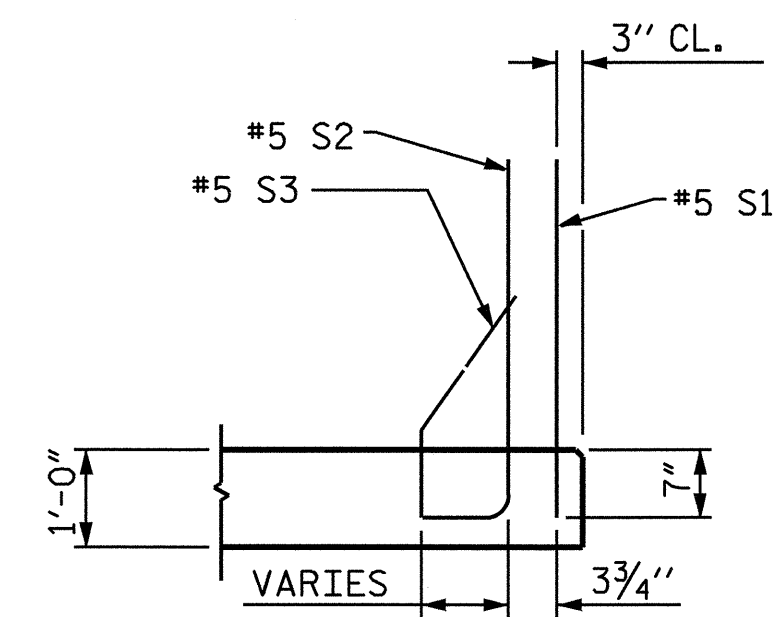
*1'-9\"/>



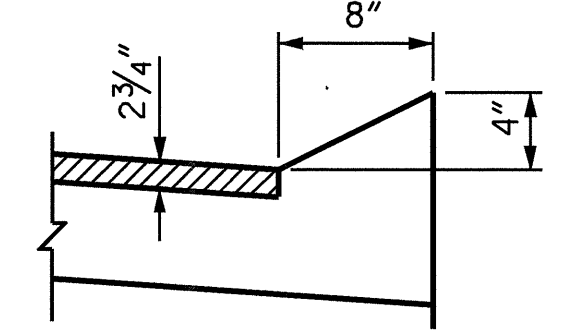
SECTION THRU SLAB



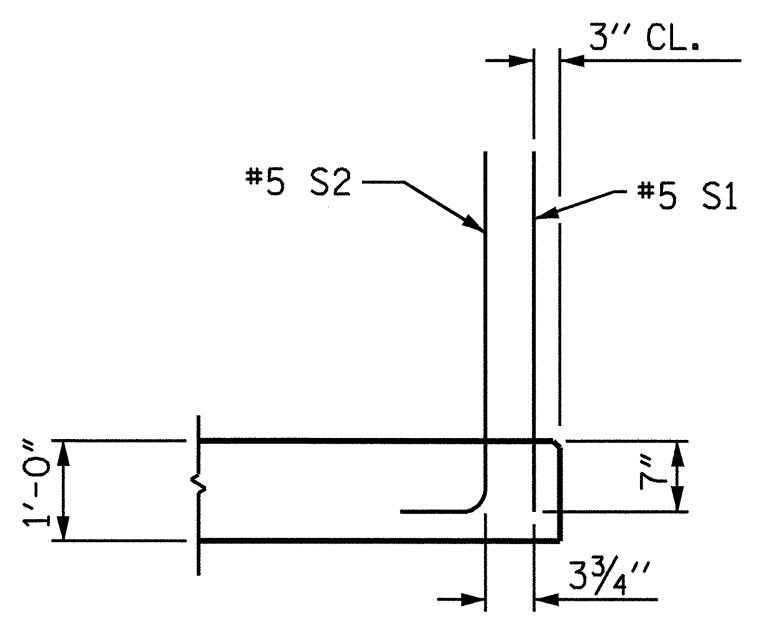
SECTION K-K



SECTION L-L



SECTION N-N

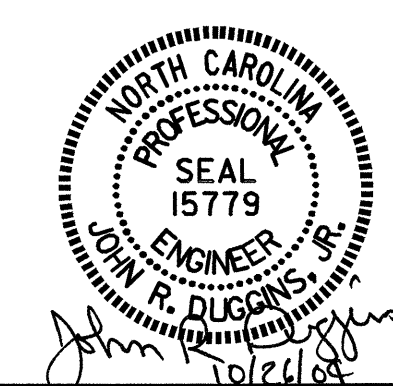


SECTION M-M

ASSEMBLED BY :	J. LAMBERT	DATE :	9/04
CHECKED BY :	D. HODGE	DATE :	10/04
DRAWN BY :	LES 8/01	RWW/LES	
CHECKED BY :	RDR 8/01	LES/RDR	
		RWW/JTE	

SECTION THRU SLAB

26-OCT-2004 08:26
 w:\sdquaddz\b3914\jlamert\Microstation\b3914.ed.AS.01.dgn
 jlamert



PROJECT NO. B-3914
 TRANSYLVANIA COUNTY
 STATION: 14+59.00 -L-

SHEET 1 OF 3

STATE OF NORTH CAROLINA DEPARTMENT OF TRANSPORTATION RALEIGH						SHEET NO. S-16
STANDARD BRIDGE APPROACH SLAB FOR PRESTRESSED CONCRETE CORED SLAB WITH BARRIER RAIL						TOTAL SHEETS 18
REVISIONS						
NO.	BY:	DATE:	NO.	BY:	DATE:	
1			3			
2			4			

STD. NO. BAS8