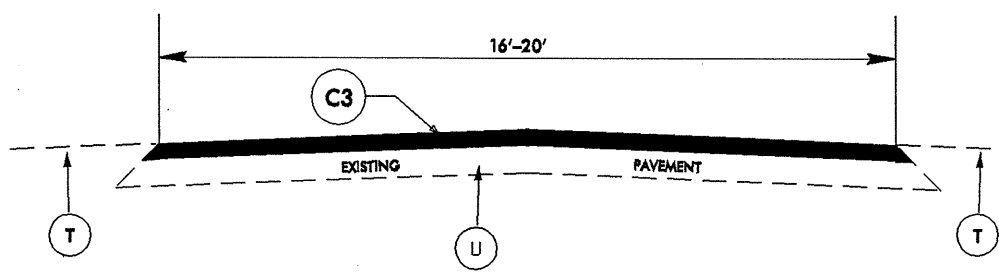
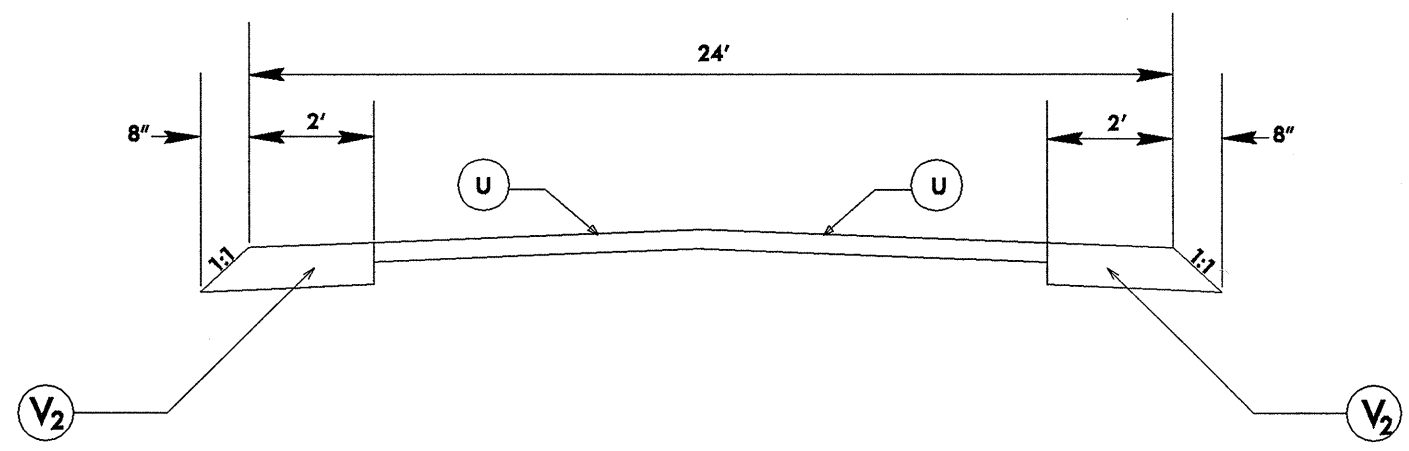


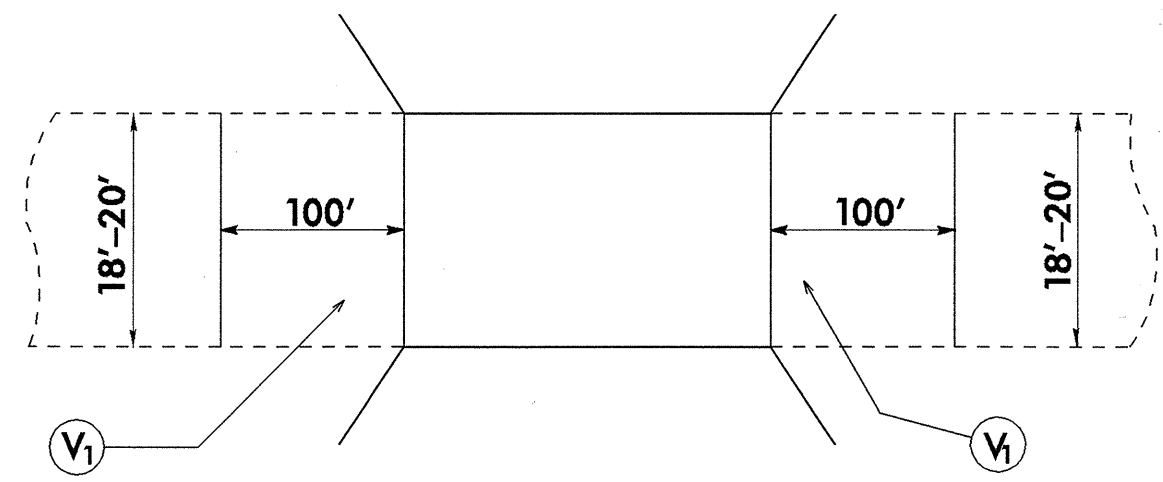
TYPICAL SECTION NO. 4



TYPICAL SECTION NO. 5



TYPICAL SECTION NO. 7



TYPICAL SECTION NO. 6

PAVEMENT SCHEDULE	
C1	PROP. APPROX. 1.5" ASPH. CONC. SURFACE COURSE, TYPE S9.5C, AT AN AVERAGE RATE OF 168 LBS. PER SQ. YD.
C2	PROP. APPROX. 1" ASPH. CONC. SURFACE COURSE, TYPE SF9.5A, AT AN AVERAGE RATE OF 110 LBS. PER SQ. YD.
C3	PROP. APPROX. 1.5" ASPH. CONC. SURFACE COURSE, TYPE S9.5B, AT AN AVERAGE RATE OF 168 LBS. PER SQ. YD.
D1	PROP. APPROX. 3.0" ASPH. CONC. INTERMEDIATE COURSE, TYPE I19.0C, AT AN AVERAGE RATE OF 342 LBS. PER SQ. YD.
E1	PROP. APPROX. 5.0" ASPH. CONC. BASE COURSE, TYPE B25.0C, AT AN AVERAGE RATE OF 570 LBS. PER SQ. YD.
V1	MILLING ASPHALT PAVEMENT AT BRIDGE TO AN ELEV. 1.5" BELOW CONCRETE BRIDGEDECK, TAPERING IN 100' TO PAVEMENT SURFACE
V2	CHANNELING FOR BASE 8" DEPTH WIDTH INCLUDES THEORETICAL 1:1
T	EARTH MATERIAL
U	EXISTING PAVEMENT