

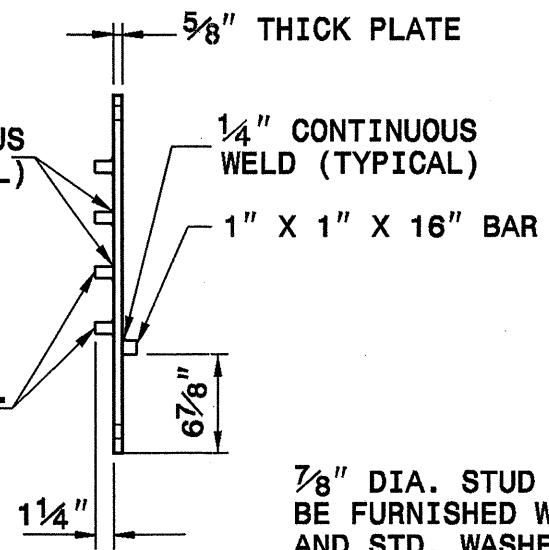
**FRONT VIEW**

**FRONT PLATE**

1" HOLES FOR 7/8" DIA. BOLTS (TYP.)

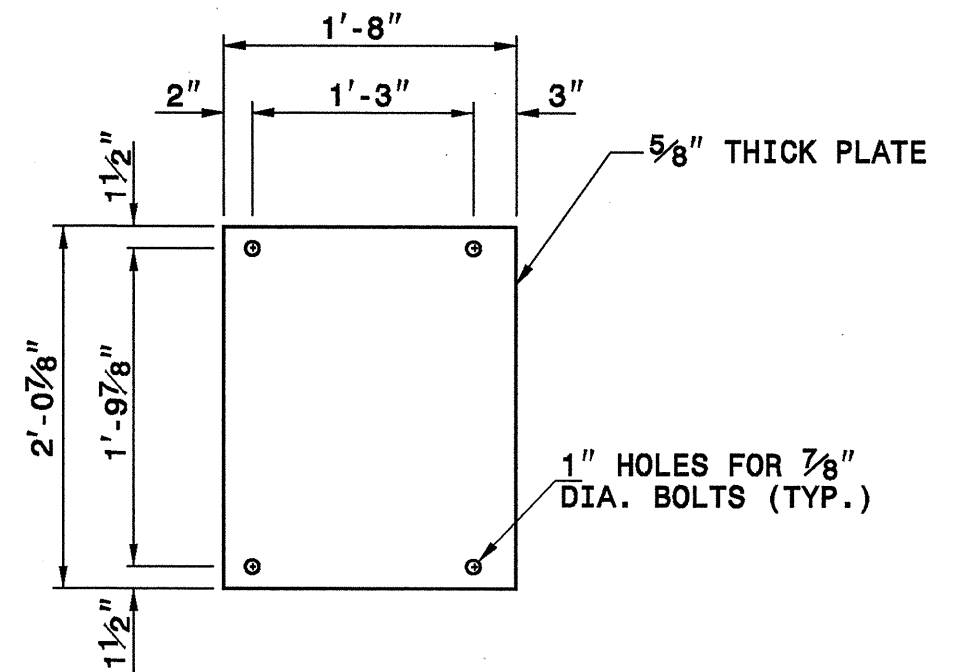
1/4" CONTINUOUS WELD (TYPICAL)

7-1 1/4" X 7/8" DIA. THREADED STUDS (QTY. 7)



**SIDE VIEW**

7/8" DIA. STUD BOLTS TO BE FURNISHED W/NUT AND STD. WASHER



**BACK PLATE**

DESIGN SERVICES UNIT  
STANDARDS AND SPECIAL DESIGN  
Office 919-250-4128 FAX 919-250-4119

ORIGINAL BY: \_\_\_\_\_ DATE: \_\_\_\_\_  
MODIFIED BY: \_\_\_\_\_ DATE: \_\_\_\_\_  
CHECKED BY: \_\_\_\_\_ DATE: \_\_\_\_\_  
FILE SPEC.: \_\_\_\_\_

5/14/99  
7-NOV-2004 17:28  
C:\est\101\101.dwg  
User: j...  
Division: 7-Moving Ahead\37426\brd\ganchor.dgn  
Sheet: 10 of 14