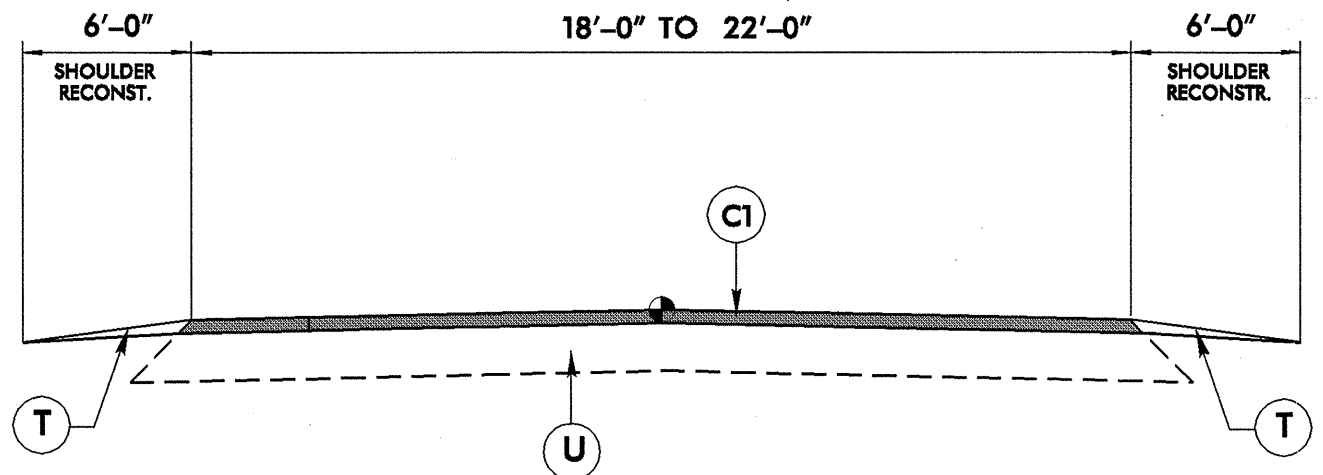
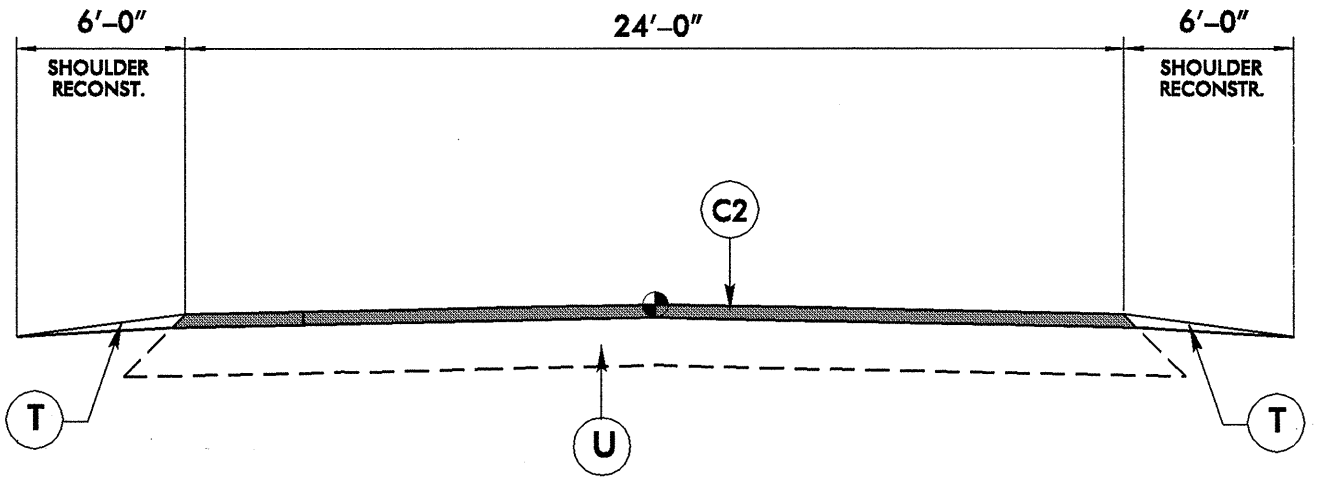


MOORE COUNTY



TYPICAL SECTION NO. 1



TYPICAL SECTION NO. 2

PAVEMENT SCHEDULE	
C1	PROP. APPROX. 1.5" ASPH. CONC. SURFACE COURSE, TYPE S9.5B, AT AN AVG. RATE OF 168 LBS. PER SQ. YD.
C2	PROP. APPROX. 1.5" ASPH. CONC. SURFACE COURSE, TYPE S9.5C, AT AN AVG. RATE OF 168 LBS. PER SQ. YD.
T	EARTH MATERIAL. (SHOULDER RECONSTRUCTION.)
U	EXISTING PAVEMENT.

** NOTE: PAVEMENT EDGE SLOPES ARE 1:1 UNLESS OTHERWISE SHOWN.