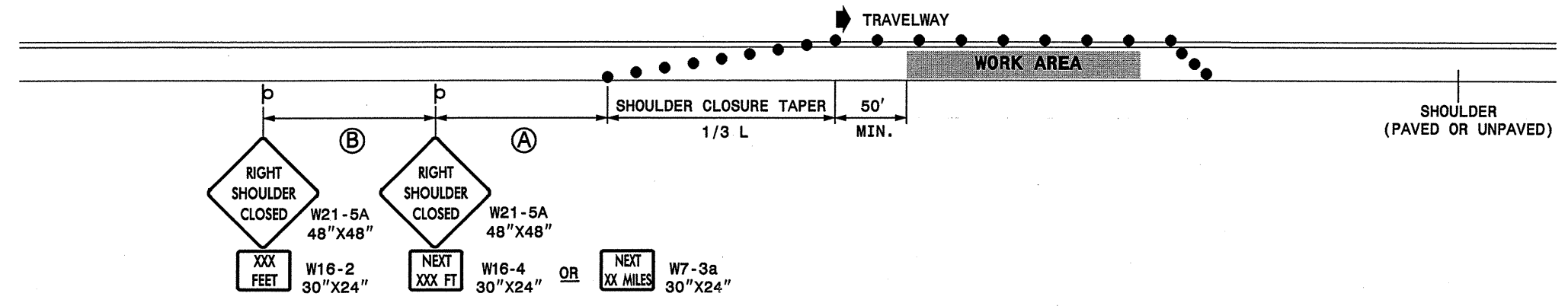


STATE OF NORTH CAROLINA
DEPT. OF TRANSPORTATION
DIVISION OF HIGHWAYS
RALEIGH, N.C.

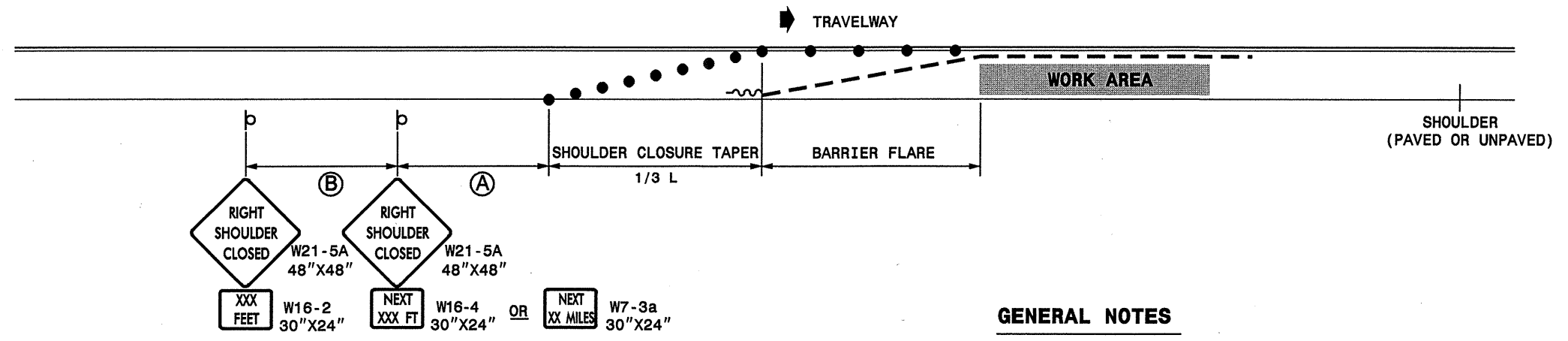
1-05

ENGLISH STANDARD DRAWING FOR
TEMPORARY SHOULDER CLOSURES

SHOULDER CLOSURES UTILIZING DRUMS



SHOULDER CLOSURES UTILIZING TEMPORARY BARRIER



GENERAL NOTES

- PLACE SHOULDER CLOSURE SIGNS ON THE SAME SIDE AS THE SHOULDER THAT IS CLOSED.
- PLACE DRUMS IN THE SHOULDER TAPER AT THE MAXIMUM SPACING EQUAL IN FEET TO THE POSTED SPEED LIMIT. THE MAXIMUM SPACING OF DRUMS ALONG THE WORK AREA AND BARRIER FLARE IS EQUAL IN FEET TO 2 TIMES THE POSTED SPEED LIMIT.
- FLARE THE APPROACH END OF PORTABLE CONCRETE BARRIER BEYOND THE SHOULDER AND USE A CRASH CUSHION FOR PROTECTION IF THE EXPOSED END OF THE BARRIER IS WITHIN THE "CLEAR ZONE".
- USE STATIONARY SIGNS FOR LONG TERM OPERATIONS (LONGER THAN 3 DAYS).
- REFER TO STD. 1101.11 SHEETS 1, 3, & 4, FOR "L" DISTANCE, BARRIER FLARE RATES, AND SIGN SPACING.

LEGEND

	TEMPORARY CRASH CUSHION
	PORTABLE CONCRETE BARRIER
	DRUM
	STATIONARY OR PORTABLE SIGN
	DIRECTION OF TRAFFIC FLOW

SHEET 1 OF 1
1101D04

SHEET 1 OF 1
1101D04

06-DEC-2004 15:58 SA:\CUV\20group\MMAResurfacing\Div08\8cr106213etclmontgomery\8cr106213shoulderClosures05.dgn psey@more AT TELC206427

APPROVED: _____ DATE: _____	REPLACEMENT DETAIL FOR RSD 1101.04	SCALE: NONE	<table border="1"> <tr> <th colspan="2">REVISIONS</th> </tr> <tr> <td> </td> <td> </td> </tr> <tr> <td> </td> <td> </td> </tr> <tr> <td> </td> <td> </td> </tr> </table>	REVISIONS							
REVISIONS											
SEAL	DATE: 11/04	DESIGN BY: MMM									
	DESIGN BY: MMM	REVIEWED BY: MMM									