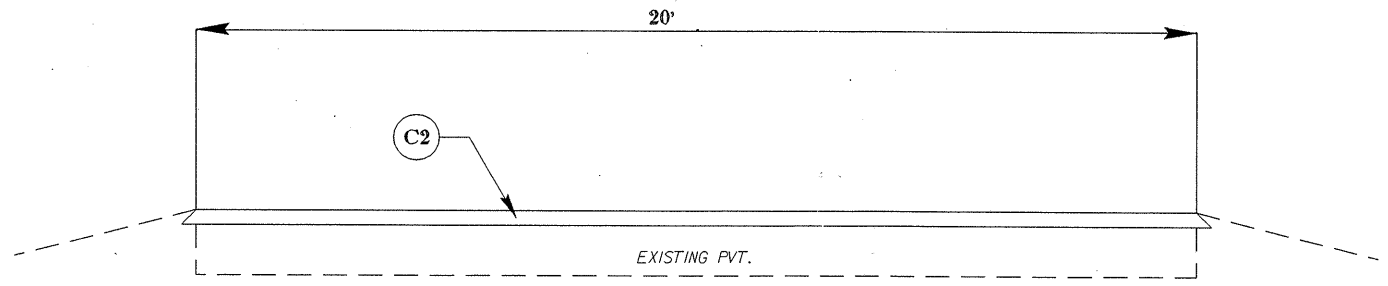


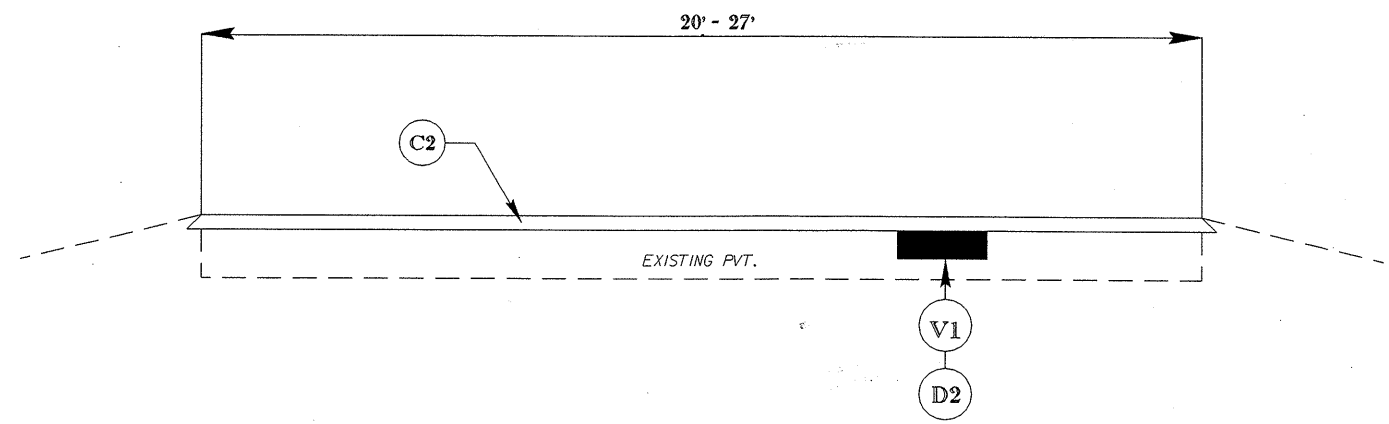
050197

PROJECT REFERENCE NO.		SHEET NO.
14CR.10441.1		6 OF 9
STA. E. PROJECT	F.A. PROJECT NO.	DESCRIPTION
14CR.10441.1		
14CR.20441.2		
14CI.304404.2		
14CI.304422.2		

TYPICAL 1



TYPICAL 2



TYPICAL 3

