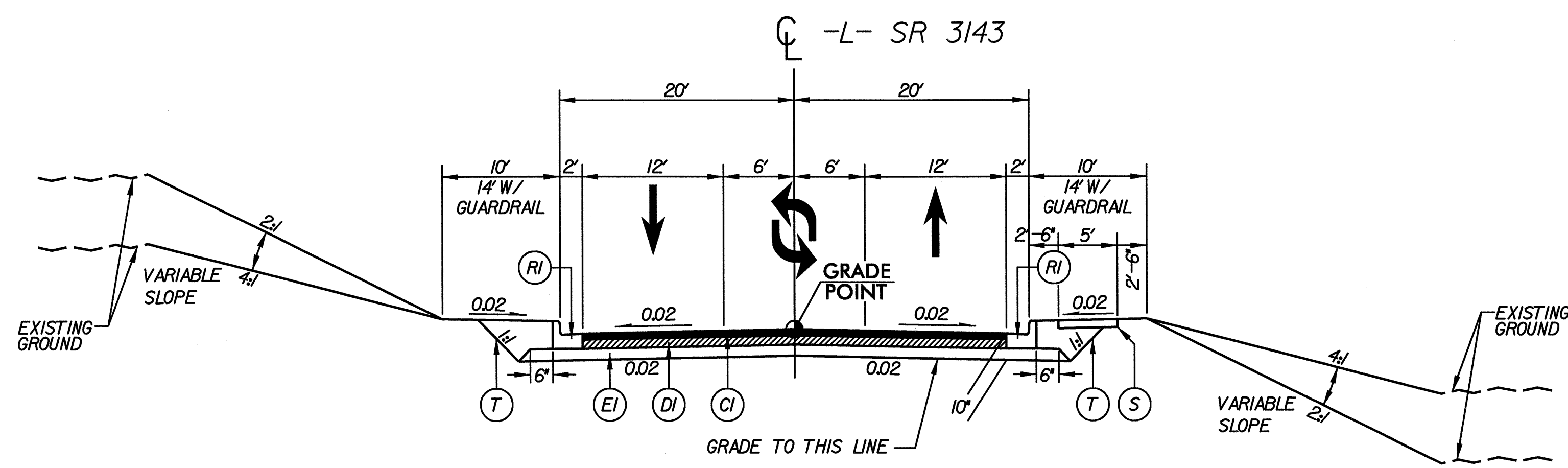


TYPICAL SECTION NO. 1

-L- STA 10+50.00 TO STA 12+68.00
 -L- STA 21+64.00 TO STA 27+29.23

NOTE: MILL NOTCH TO KEY-IN S9.5A FROM
 -L- STA 10+50.00 TO STA 11+00.00
 -L- STA 26+79.23 TO STA 27+29.23
 (SEE DETAIL W2 THIS SHEET)

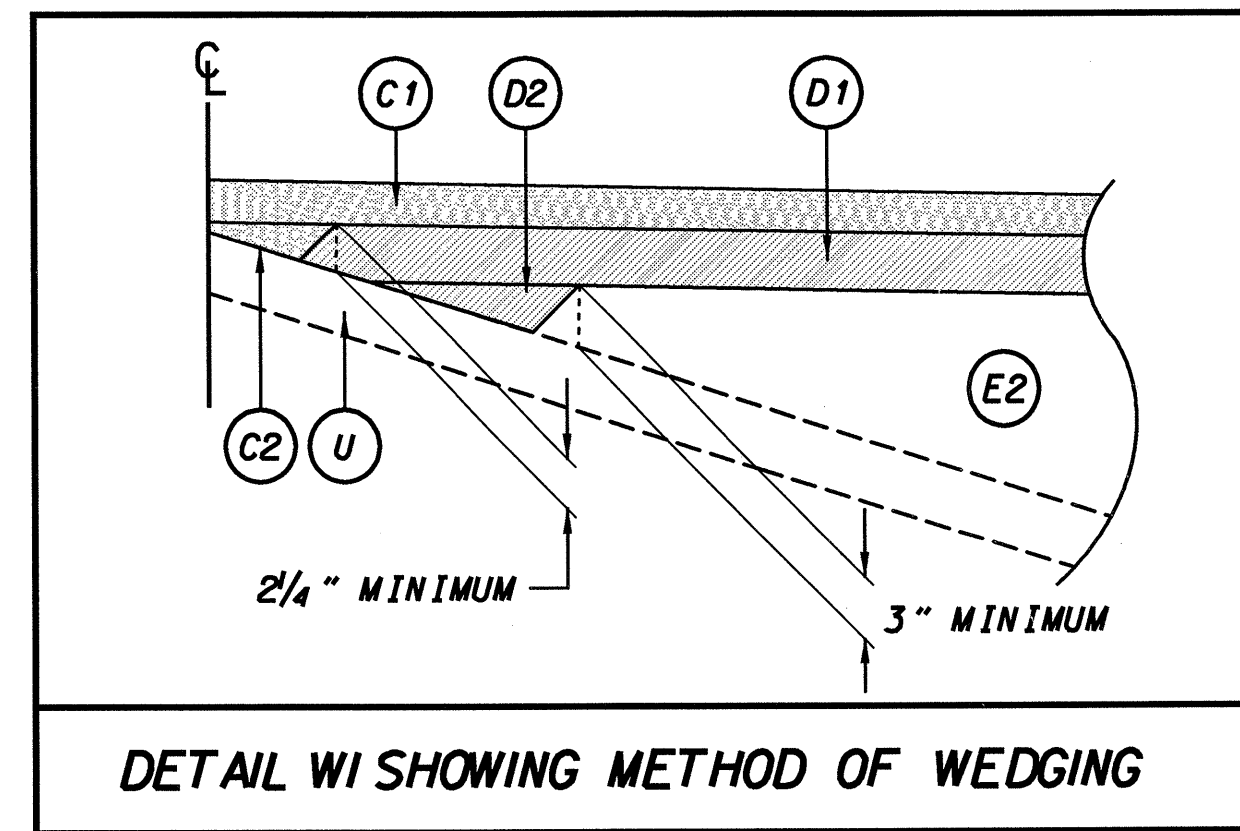


TYPICAL SECTION NO. 2

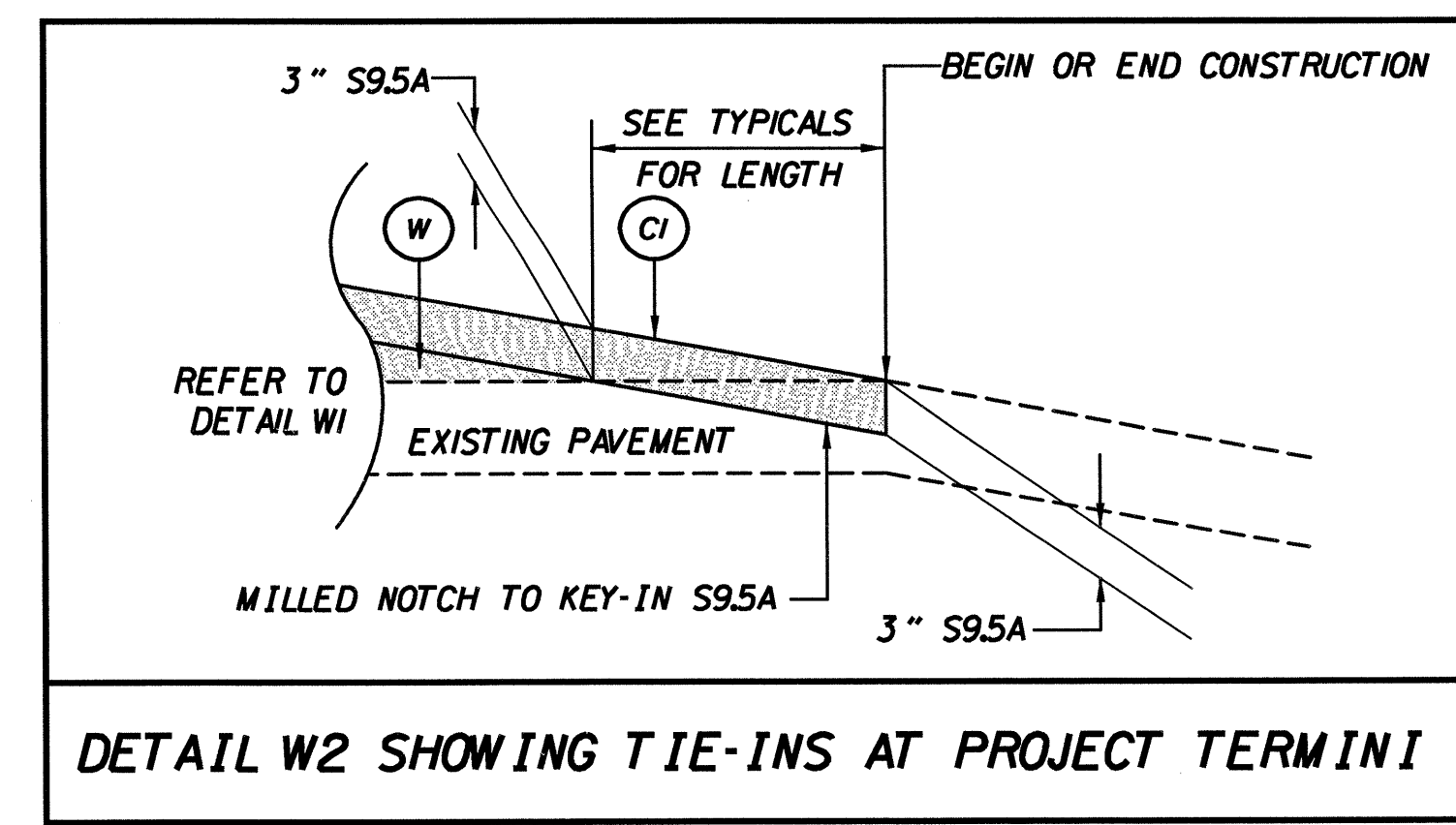
-L- STA 12+68.00 TO STA 21+64.00

PAVEMENT SCHEDULE	
C1	PROP. APPROX. 3" ASPHALT CONCRETE SURFACE COURSE TYPE S9.5A, AT AN AVERAGE RATE OF 168 LBS. PER SQ. YD. IN EACH OF TWO LAYERS.
C2	PROP. VAR. DEPTH ASPHALT CONCRETE SURFACE COURSE, TYPE S9.5A, AT AN AVERAGE RATE OF 112 LBS. PER SQ. YD. PER 1" DEPTH TO BE PLACED IN LAYERS NOT LESS THAN 1" IN DEPTH OR GREATER THAN 1.5" IN DEPTH.
D1	PROP. APPROX. 4" ASPHALT CONCRETE INTERMEDIATE COURSE TYPE I19.0B, AT AN AVERAGE RATE OF 456 LBS. PER SQ. YD.
D2	PROP. VAR. DEPTH ASPHALT CONCRETE INTERMEDIATE COURSE, TYPE I19.0B, AT AN AVERAGE RATE OF 114 LBS. PER SQ. YD. PER 1" DEPTH TO BE PLACED IN LAYERS NOT LESS THAN 2.25" OR GREATER THAN 4" IN DEPTH.
E1	PROP. APPROX. 3" ASPHALT CONCRETE BASE COURSE TYPE B25.0B, AT AN AVERAGE RATE OF 342 LBS. PER SQ. YD.
E2	PROP. VAR. DEPTH ASPHALT CONCRETE BASE COURSE, TYPE B25.0B, AT AN AVERAGE RATE OF 114 LBS. PER SQ. YD. PER 1" DEPTH TO BE PLACED IN LAYERS NOT LESS THAN 3" OR GREATER THAN 5.5" IN DEPTH.
RI	2'-6" CONCRETE CURB & GUTTER
S	4" CONCRETE SIDEWALK
T	EARTH MATERIAL
U	EXISTING PAVEMENT
W	VARIABLE DEPTH ASPHALT PAVEMENT (SEE DETAIL WITH THIS SHEET)

NOTE: PAVEMENT EDGE SLOPES ARE 1/4 UNLESS OTHERWISE INDICATED



DETAIL W1 SHOWING METHOD OF WEDGING



DETAIL W2 SHOWING TIE-INS AT PROJECT TERMINI