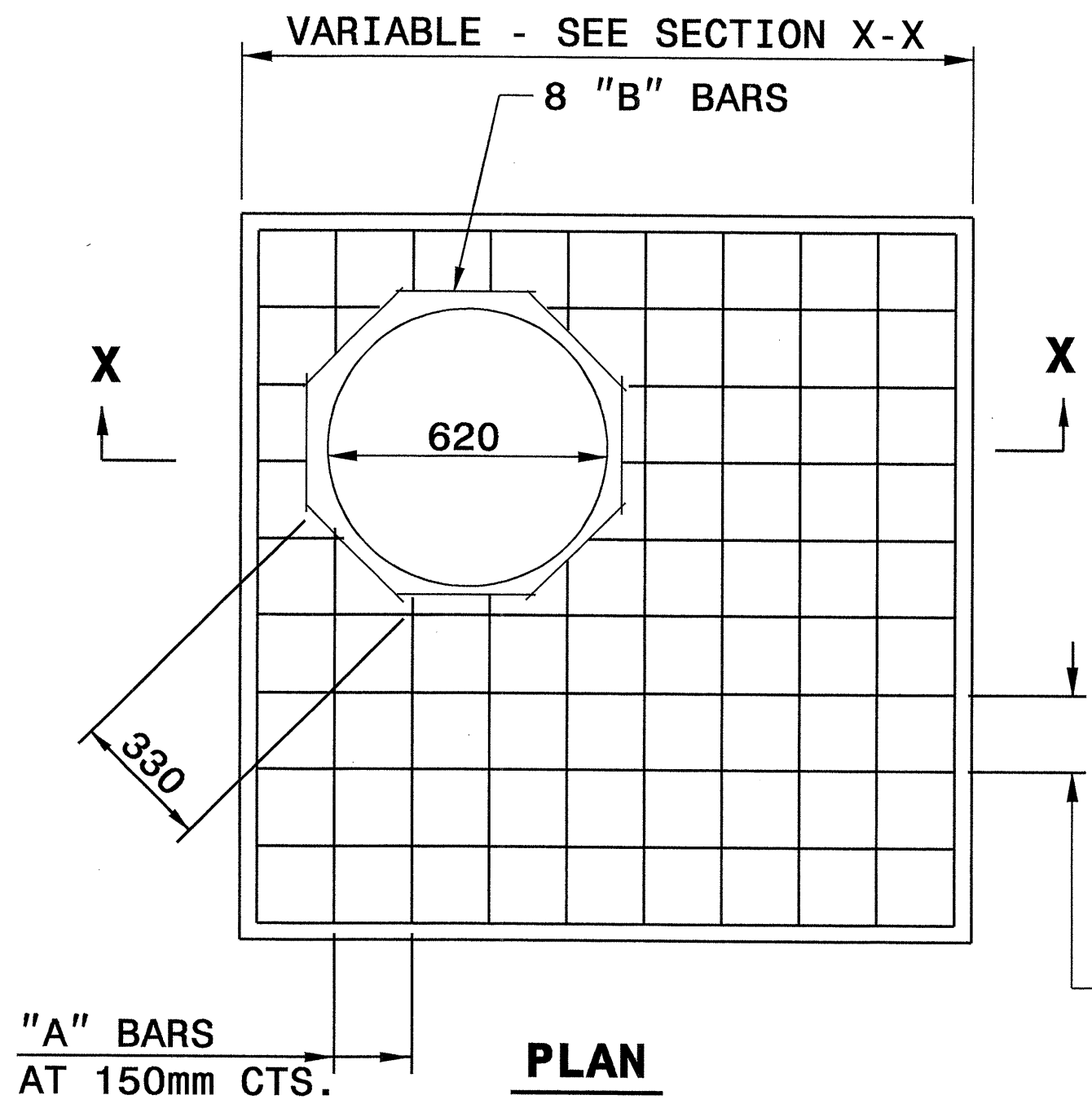
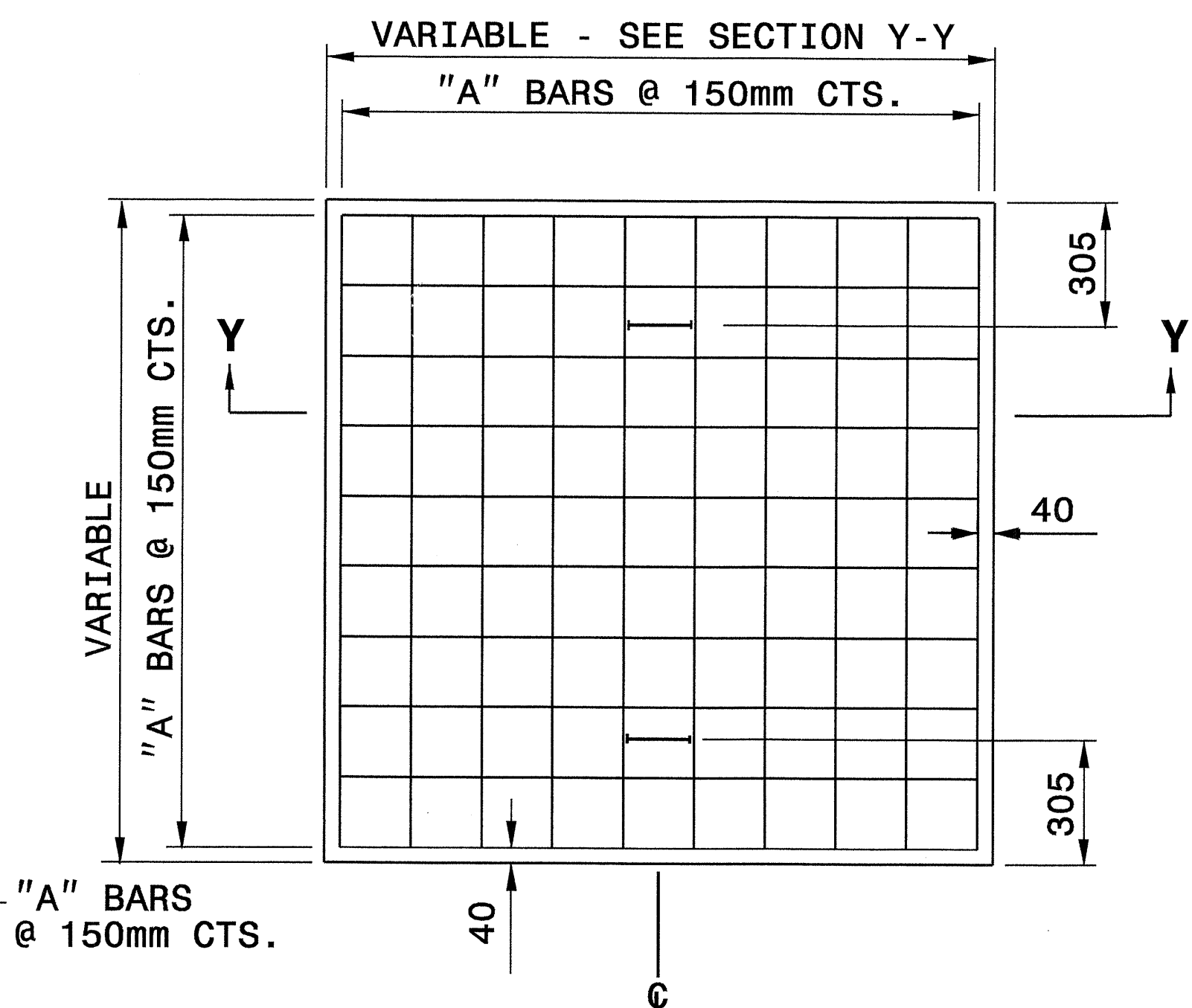


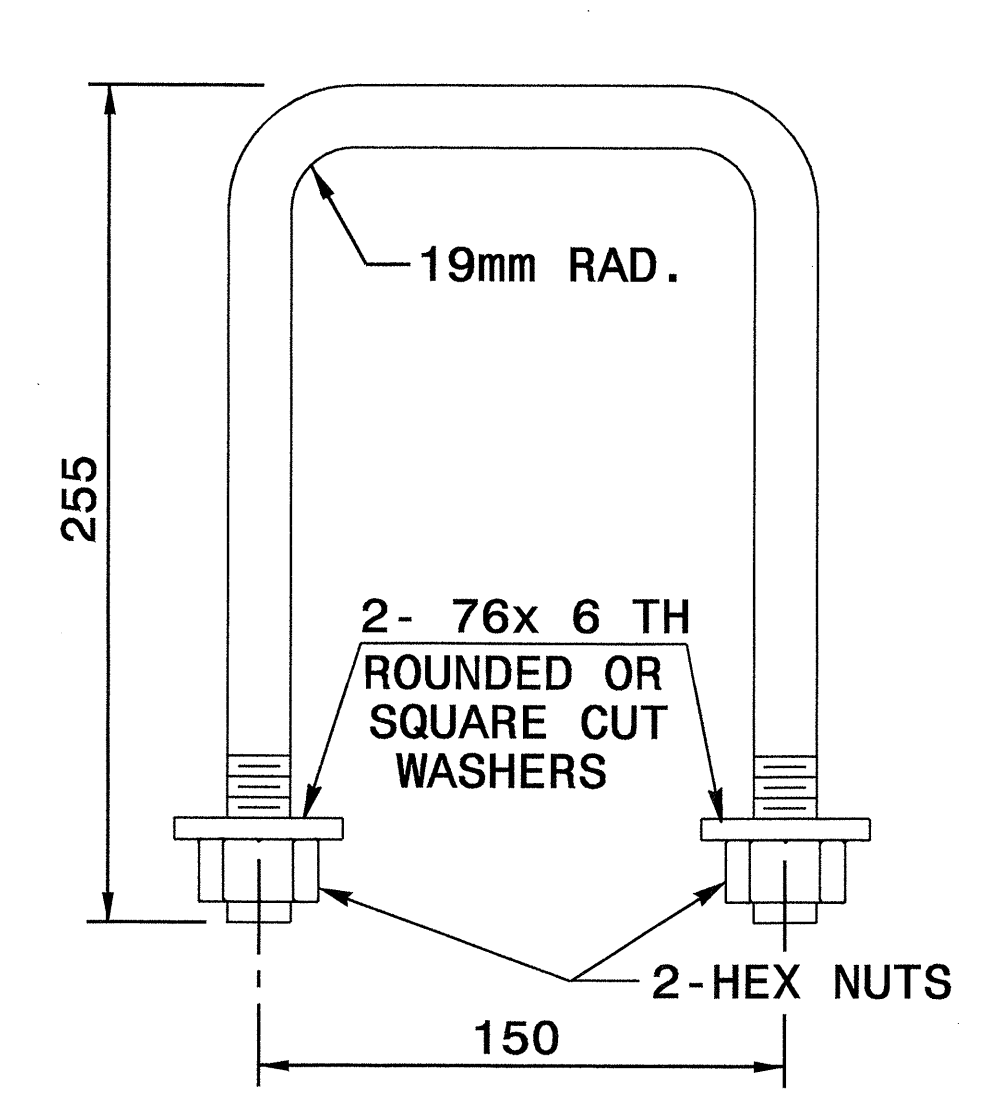
PARTIAL SECTION



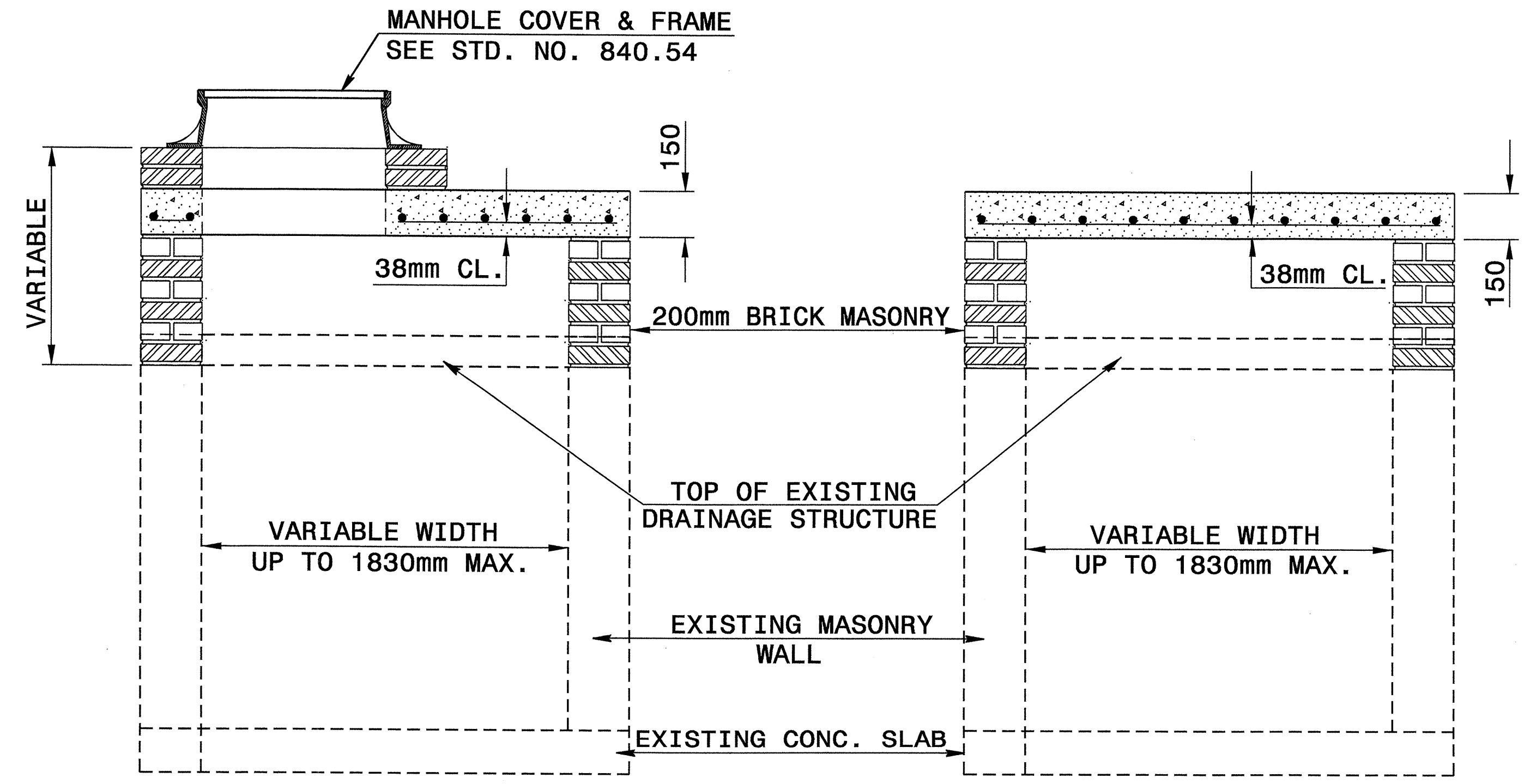
PLAN



PLAN



DETAIL OF HANDLE



SECTION X-X

SECTION Y-Y

GENERAL NOTES:

CONSTRUCT IN ACCORDANCE WITH SECTION 859 OF THE STANDARD SPECIFICATIONS.

THE DIMENSIONS FOR THE EXISTING BOXES ARE APPROXIMATE AND MAY VARY SLIGHTLY.

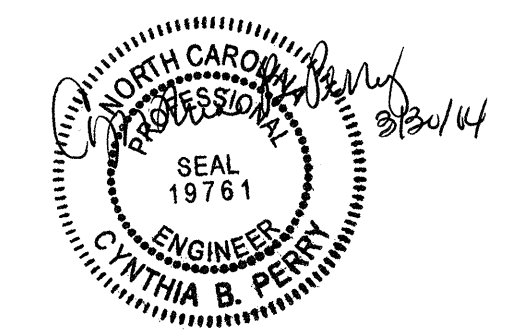
DETAIL INTENDED FOR NON-TRAFFIC BEARING DRAINAGE STRUCTURES.

BILL OF MATERIALS

REINFORCING STEEL				
CODE	SIZE	QTY.	LENGTH	REINF. STEEL kgs.
A	#16	20	1370	45.52
B	#16	8	330	4.10
TOTAL				49.62 *
MASONRY				m ³
TOP SLAB CONCRETE CLASS "B"				.3305 *
BRICK MASONRY PER m HT (MIN)				1.7651

*** NOTE:**

QUANTITIES BASED ON 1070mm X 1070mm DRAINAGE STRUCTURE. ADJUST QUANTITIES FOR LARGER STRUCTURES AND MANHOLE CONSTRUCTION.



**DESIGN SERVICES UNIT
STANDARDS AND SPECIAL DESIGN**
Office 919-250-4128 FAX 919-250-4119

**DETAIL TO CONVERT EXISTING
DROP INLET OR CATCH BASIN
TO JUNCTION BOX
(MANHOLE OPTIONAL)**

ORIGINAL BY: I.S.S. DATE: NOV 1997
MODIFIED BY: I.S.S. DATE: FEB 2000
CHECKED BY: [Signature] DATE: 6-02
FILE SPEC.: ds174:\usr\details\metric\stand\boxtojb.dgn

26 JUN 2006 14:47
 C:\Users\jst1\Documents\user\details\metric\stand\boxtojb.dgn
 ericward AT 05188660