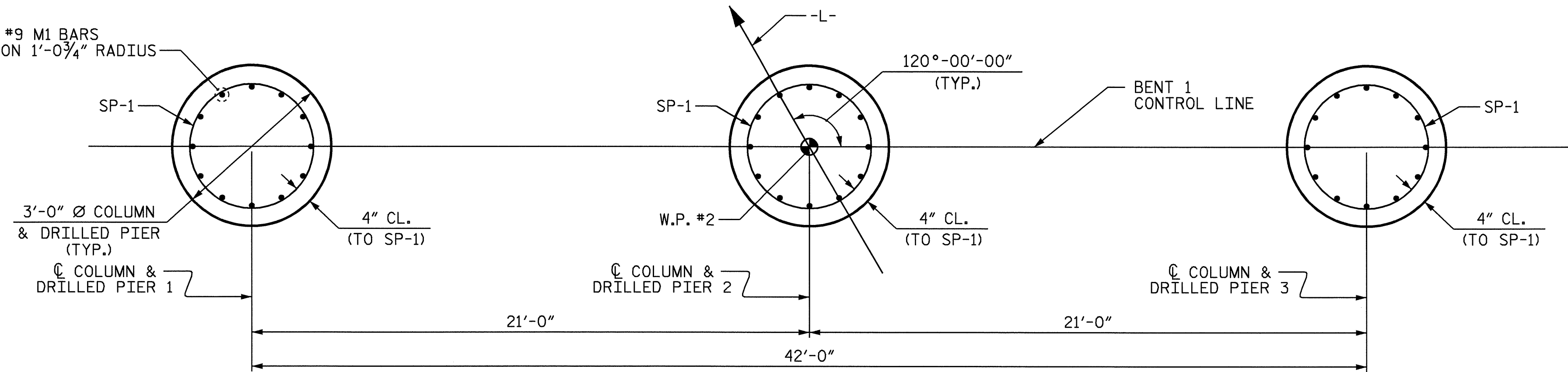
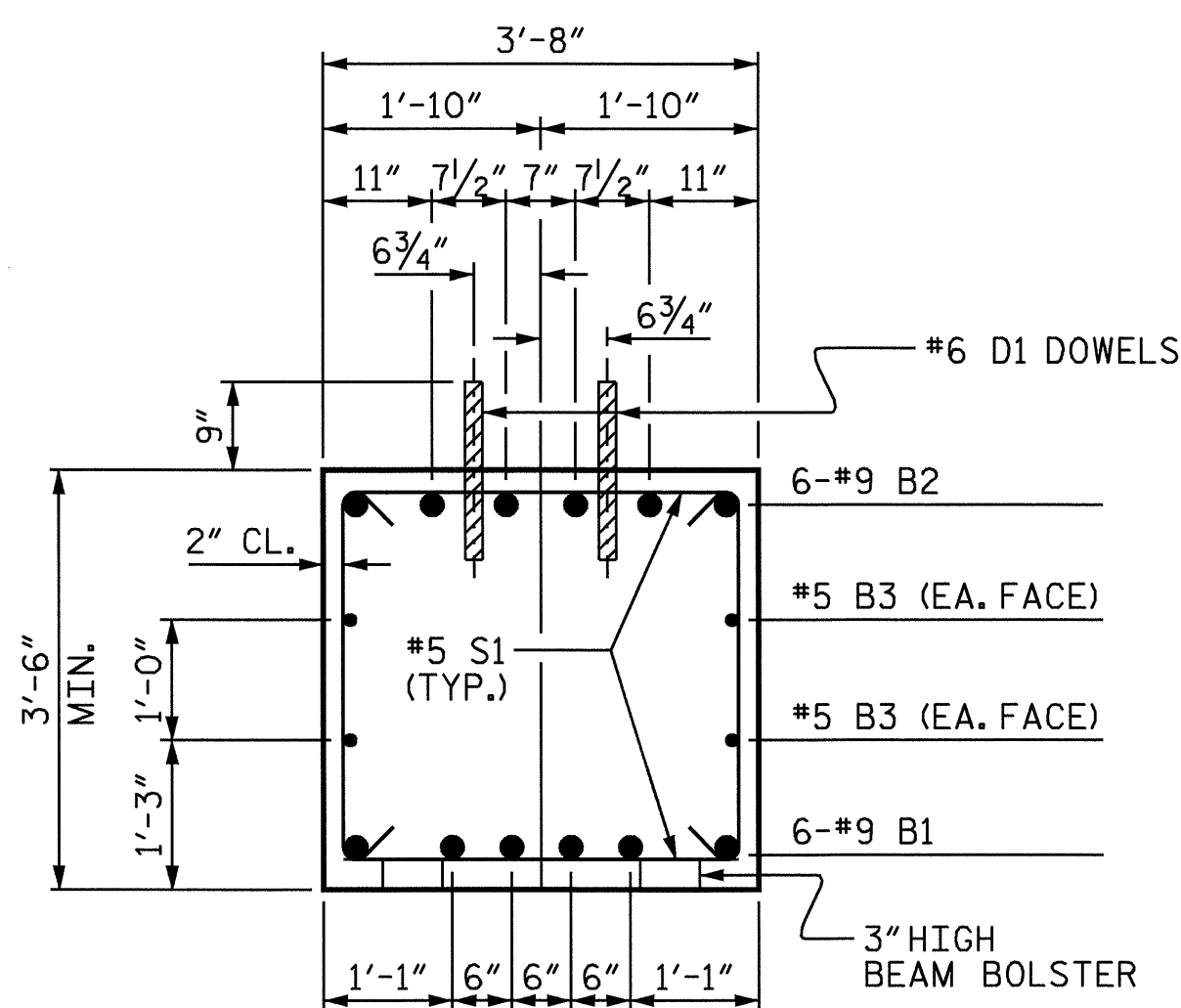


12-#9 V1 OR #9 M1 BARS
@ 6 5/8" CTS. ON 1'-0 3/4" RADIUS

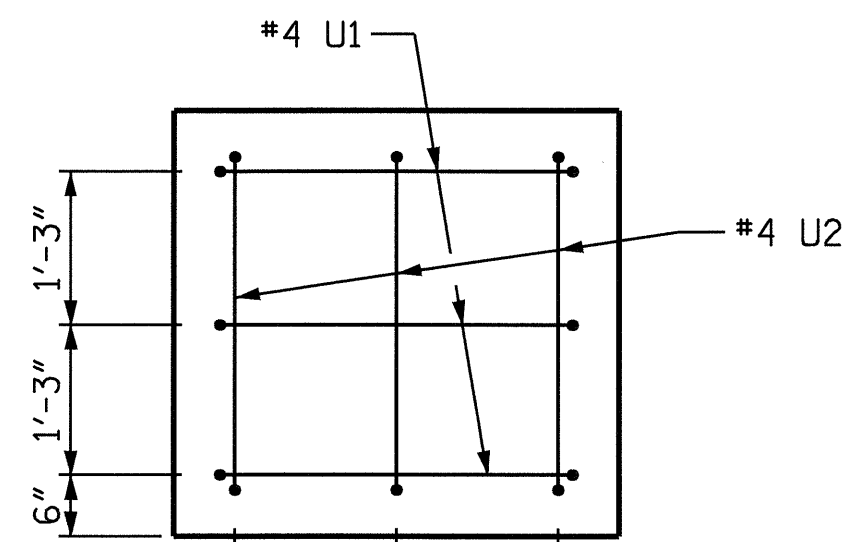


PLAN OF COLUMNS AND DRILLED PIERS

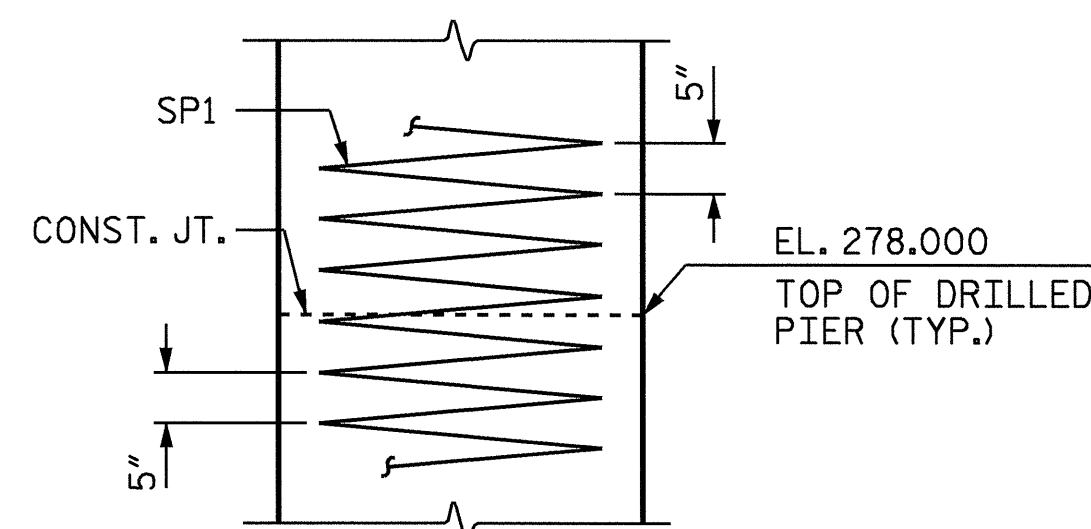
REINFORCING STEEL AND DIMENSIONS ARE TYPICAL FOR ALL COLUMNS AND DRILLED PIERS



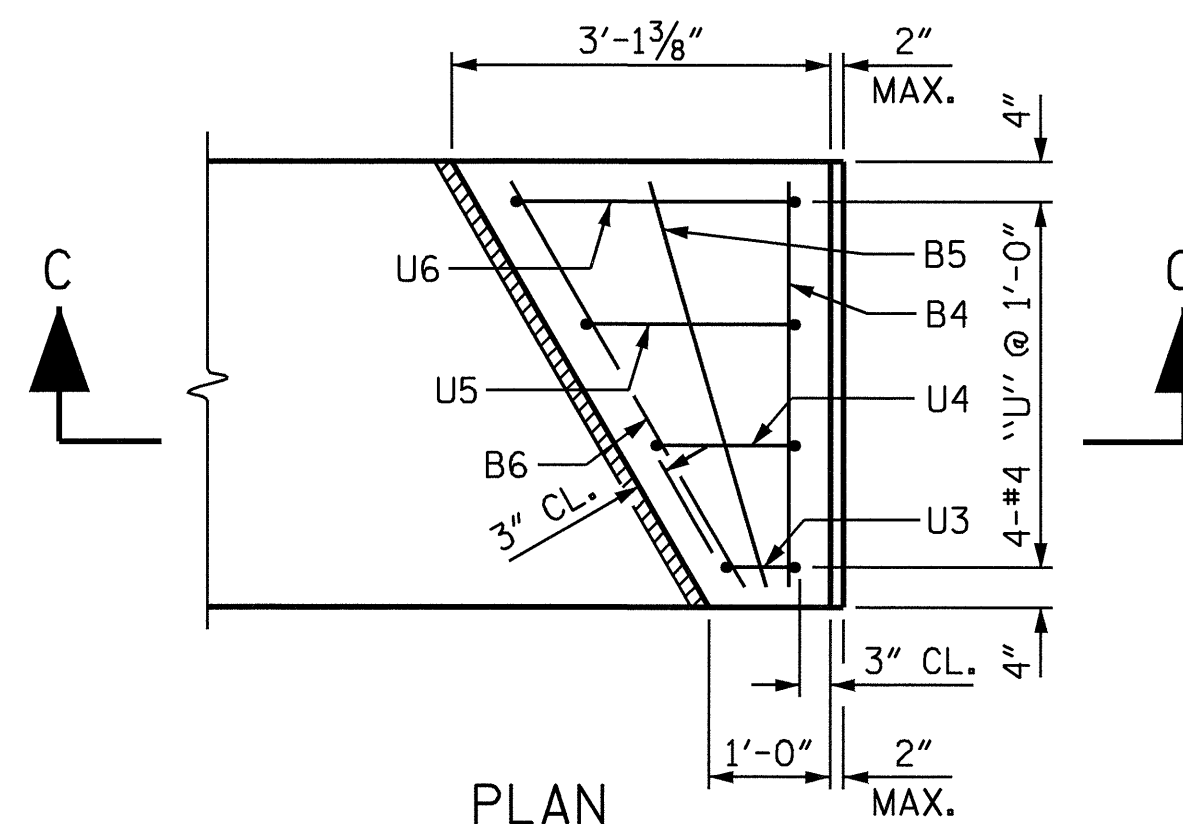
SECTION A-A



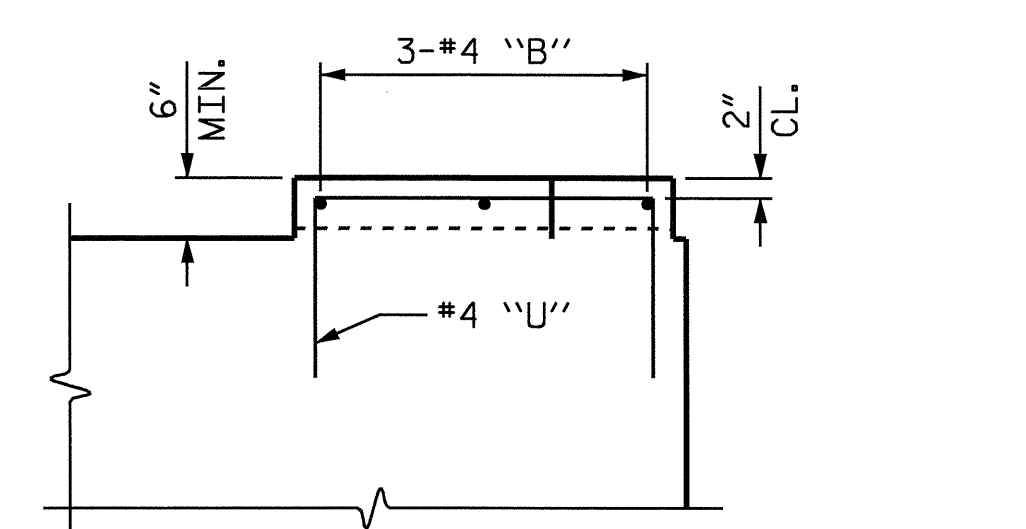
VIEW X-X



CONSTRUCTION JOINT DETAIL

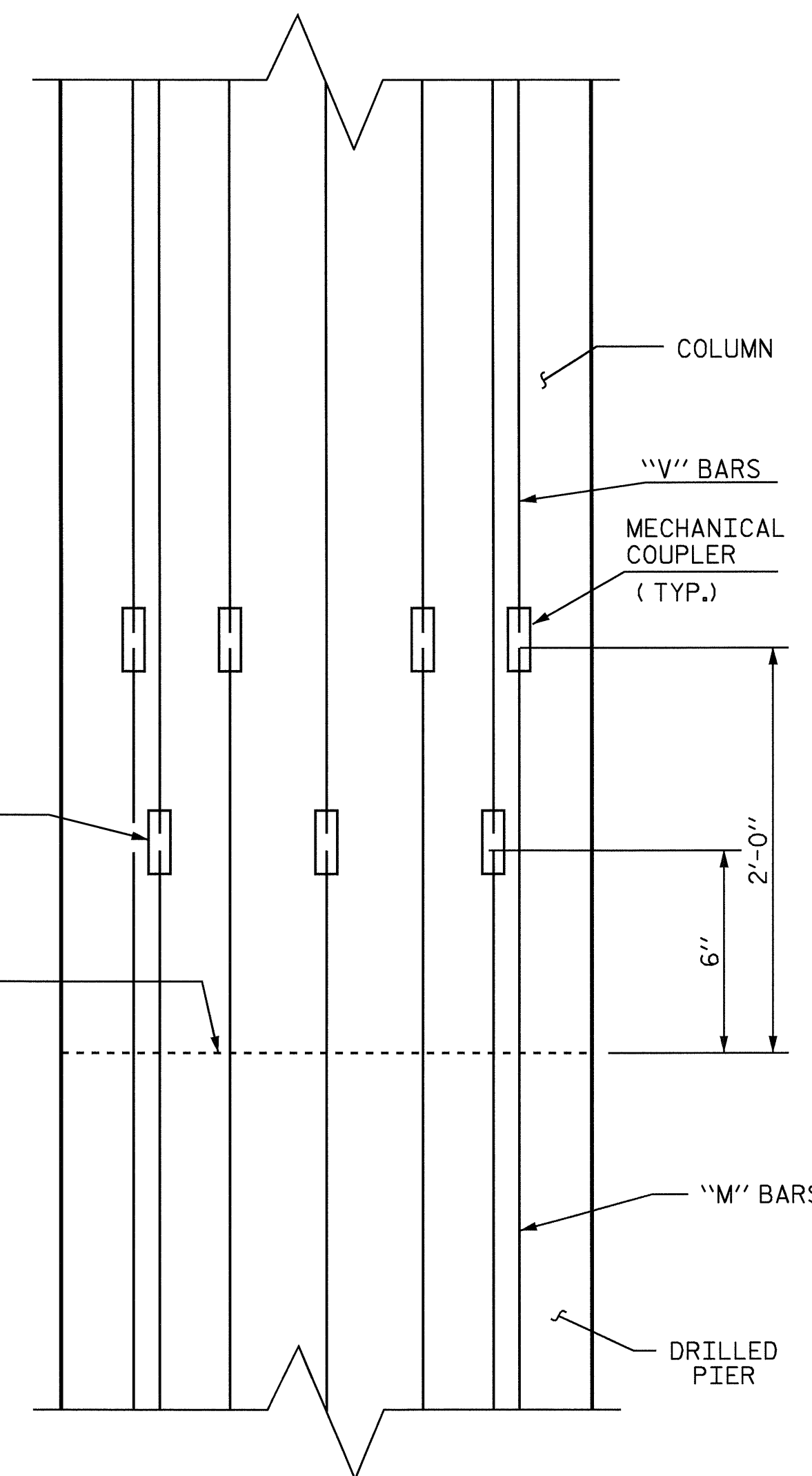


PLAN

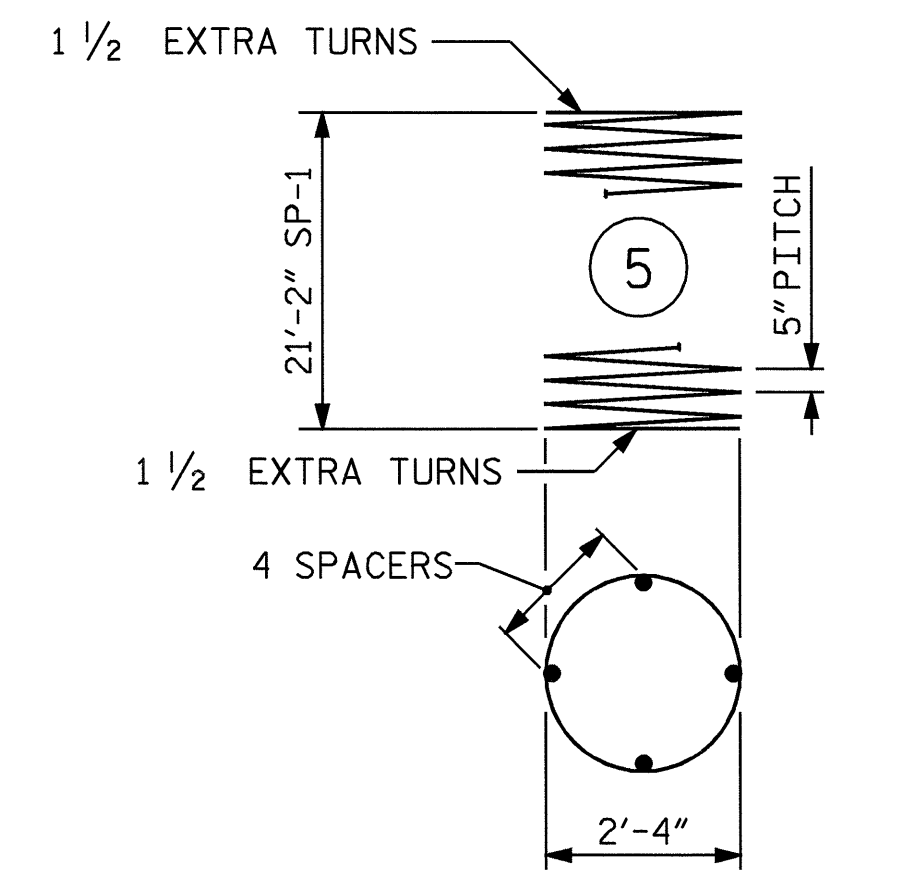
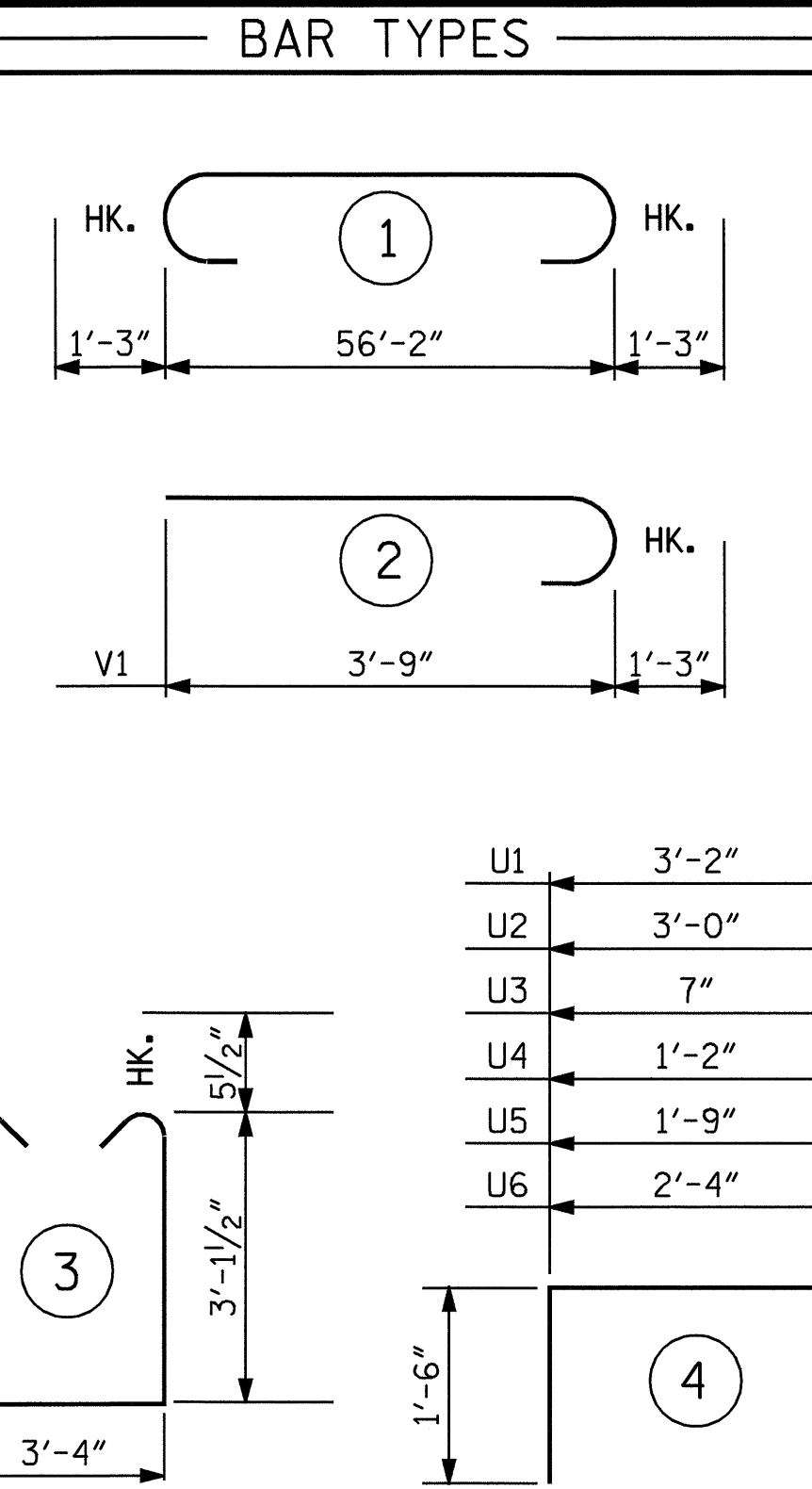


ELEVATION

LATERAL GUIDE DETAIL



MECHANICAL COUPLER STAGGER DETAIL



ALL BAR DIMENSIONS ARE OUT TO OUT.

* THE "SP" SPIRAL REINFORCING STEEL SHALL BE W31 OR D-31 COLD DRAWN WIRE OR #5 PLAIN OR DEFORMED BAR.

BILL OF MATERIAL

BENT 1					
BAR	NO	SIZE	TYPE	LENGTH	WEIGHT
B1	6	9	STR	56-3	1148
B2	6	1	STR	58-8	1197
B3	4	5	STR	56-3	235
B4	2	4	STR	3-4	4
B5	2	4	STR	3-5	5
B6	2	4	STR	3-10	5
D1	60	6	STR	1-6	135
M1	36	9	STR	23-9	2907
S1	48	5	3	10-6	526
U1	6	4	4	6-2	25
U2	6	4	4	6-0	24
U3	2	4	4	3-7	5
U4	2	4	4	4-2	6
U5	2	4	4	4-9	6
U6	2	4	4	5-4	7
V1	36	9	2	5-0	612
SP-1	3	**	5	385-11	1208
REINFORCING STEEL				LBS.	6847
SPIRAL REINFORCING STEEL				LBS.	1208
CLASS A CONCRETE BREAKDOWN					
POUR #2 (COLUMNS)				C.Y.	2.1
POUR #3 (CAP)				C.Y.	27.2
POUR #4 (LATERAL GUIDE)				C.Y.	0.3
TOTAL CLASS A CONCRETE				C.Y.	29.6

3'-0" Ø DRILLED PIERS

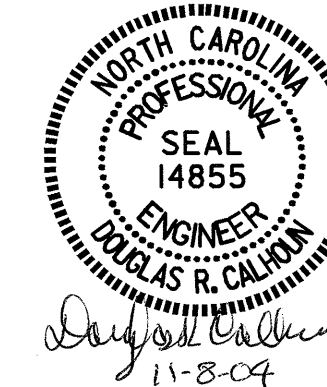
DRILLED PIER CONCRETE	
POUR #1 (DRILLED PIERS)	C.Y. 14.9
3'-0" Ø DRILLED PIERS IN SOIL:	35.70 LIN. FT.
3'-0" Ø DRILLED PIERS NOT IN SOIL:	21.30 LIN. FT.
PERMANENT STEEL CASING FOR 3'-0" Ø DRILLED PIERS:	34.50 LIN. FT.
CSL TUBES:	258.00 LIN. FT.

PROJECT NO. B-3451
 DURHAM COUNTY
 STATION: 14+99.30 -L-

SHEET 2 OF 2

STATE OF NORTH CAROLINA
 DEPARTMENT OF TRANSPORTATION
 RALEIGH

SUBSTRUCTURE BENT 1



REVISIONS						SHEET NO.	
NO.	BY:	DATE:	NO.	BY:	DATE:	S-19	
1			3			TOTAL SHEETS	
2			4			27	