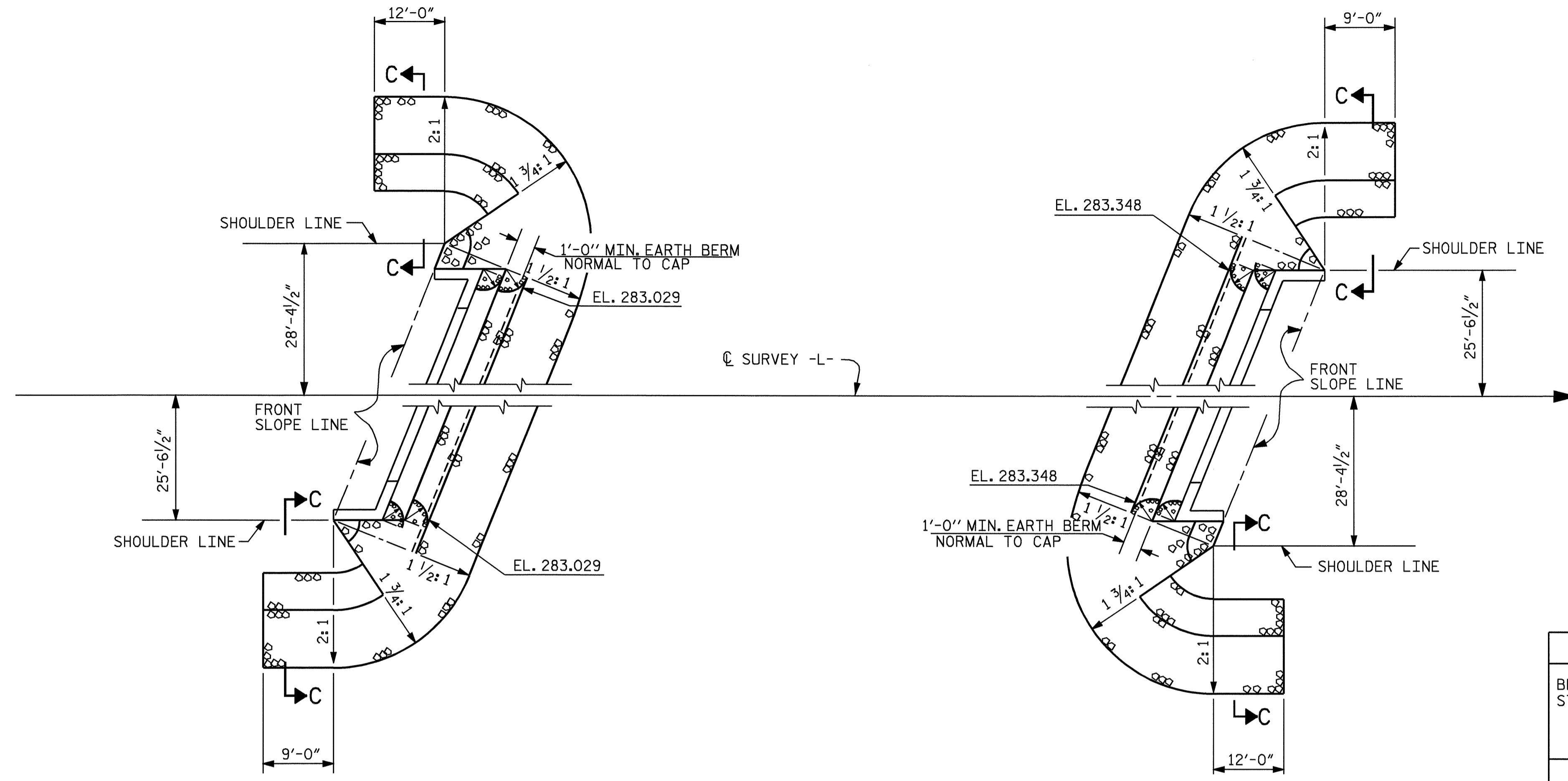


NOTES :  
FOR BERM WIDTH DIMENSIONS,SEE GENERAL DRAWING.



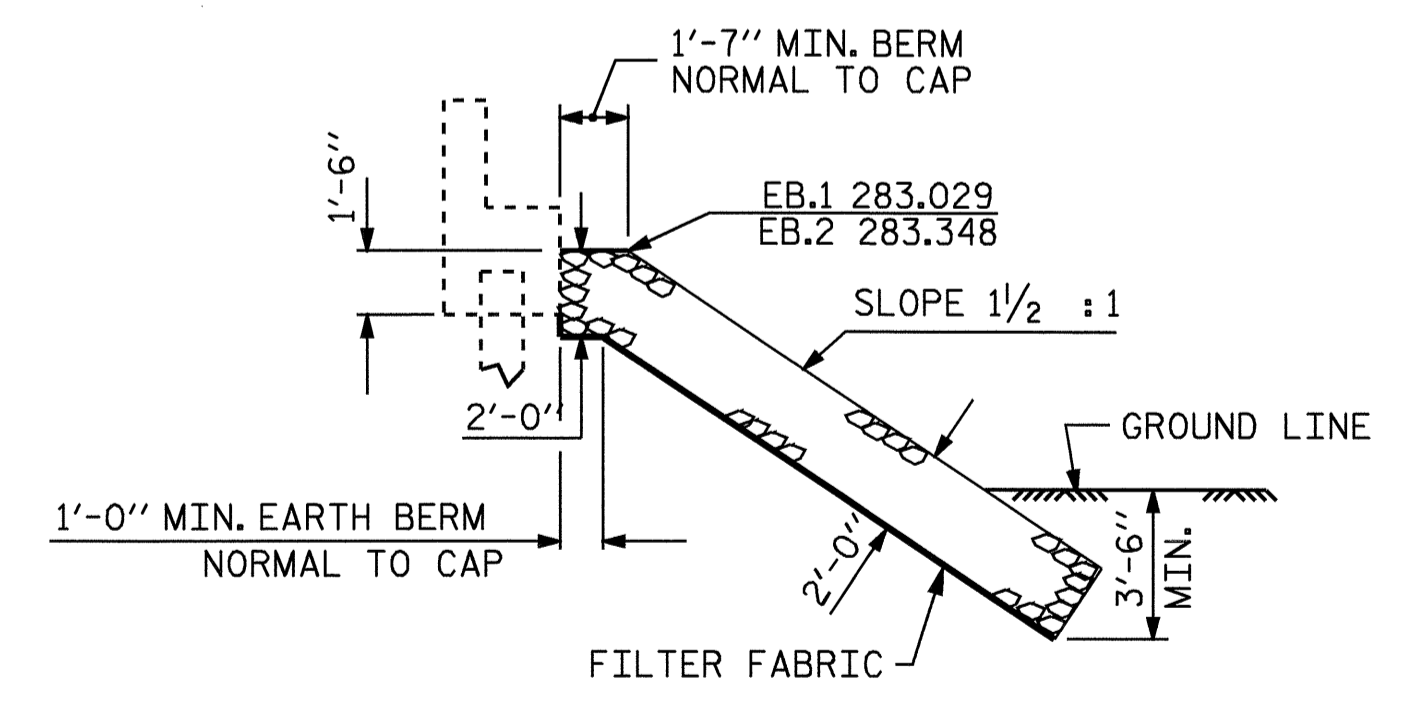
END BENT 1

PLAN

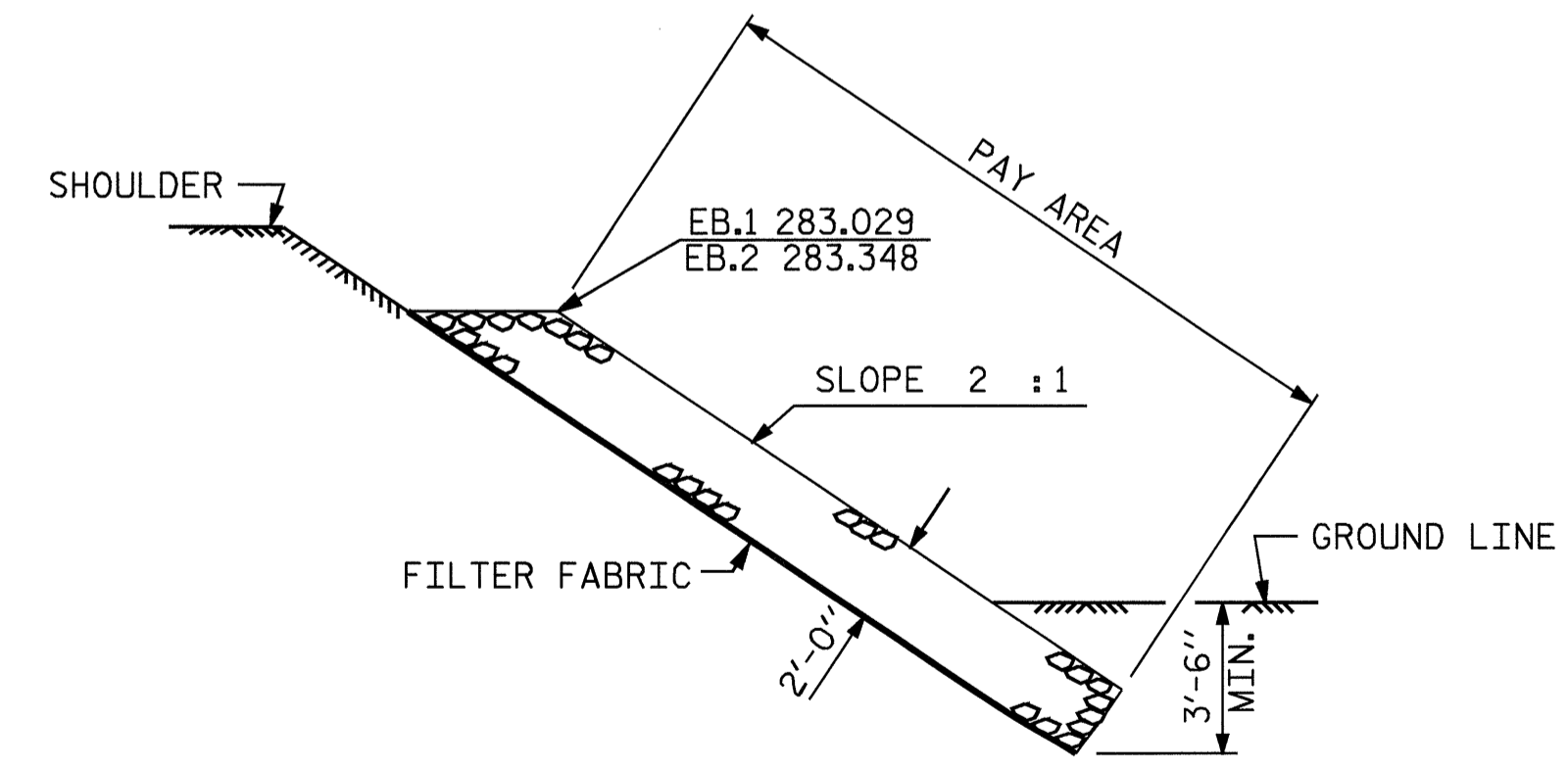
END BENT 2

ESTIMATED QUANTITIES		
BRIDGE @ STA. 14+99.30 -L-	PLAIN RIP RAP CLASS II	* FILTER FABRIC FOR DRAINAGE
	TONS	SQUARE YARDS
END BENT 1	225	250
END BENT 2	210	235

\* THE COST OF THE FILTER FABRIC SHALL BE INCLUDED IN THE CONTRACT PRICE BID FOR "PLAIN RIP RAP CLASS II".



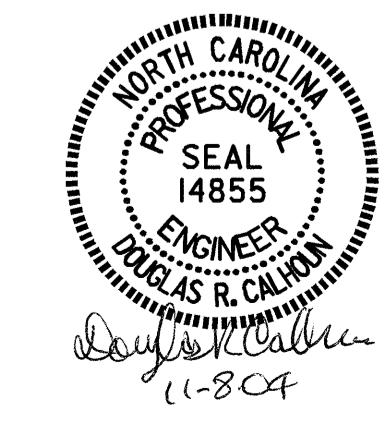
SECTION  
BERM RIP RAPPED



SECTION C-C

PROJECT NO. B-3451  
DURHAM COUNTY  
STATION: 14+99.30 -L-

STATE OF NORTH CAROLINA  
DEPARTMENT OF TRANSPORTATION  
RALEIGH  
STANDARD  
RIP RAP DETAILS



ASSEMBLED BY : A.L.MEADOWS DATE : 6/5/03  
CHECKED BY : K.McCAULEY DATE : 6/6/03  
DRAWN BY : REK 1/84 REV. 7/17/98 REK/RWW  
CHECKED BY : RDU 1/84 REV. 8/16/99 RWW/LES  
REV. 10/17/00 RWW/LES

REVISIONS					SHEET NO.
NO.	BY:	DATE:	NO.	BY:	DATE:
1			3		
2			4		

TOTAL SHEETS: 27