

FIBER OPTIC CABLE

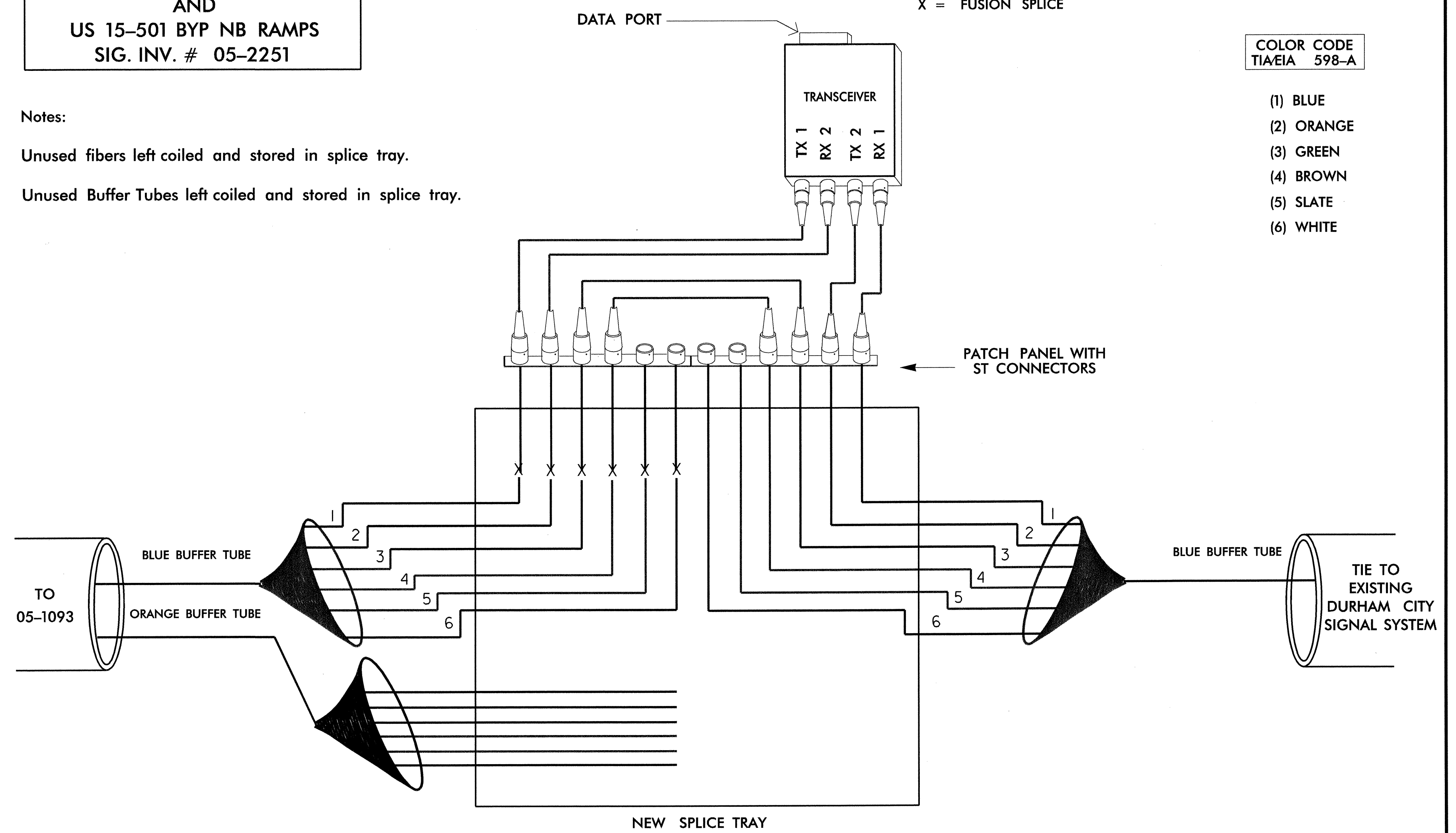
NC 751 (CAMERON BLVD.)
AND
US 15-501 BYP NB RAMPS
SIG. INV. # 05-2251

Notes:
Unused fibers left coiled and stored in splice tray.
Unused Buffer Tubes left coiled and stored in splice tray.

LEGEND
X = FUSION SPLICE

COLOR CODE
TIA/EIA 598-A

- (1) BLUE
- (2) ORANGE
- (3) GREEN
- (4) BROWN
- (5) SLATE
- (6) WHITE



(NEW) IFS - MODEL # D-9130 SHR TRANSCEIVER

	SPLICE PLAN	
	DIVISION 05	DURHAM COUNTY DURHAM NC
	PLAN DATE: 08-15-04	REVIEWED BY: D.W. MORTON
122 N. McDowell St., Raleigh, NC 27603	PREPARED BY: J. COLE	PK&K PROJECT NO. 302-179-SIG6
SCALE: 0	REVISIONS	INIT. DATE
		SIGNATURE: <i>D.W. Morton</i> DATE: 8-24-04
		CADD FILE NAME: SPLICE_4_20040815.DGN