

11+00

10+00

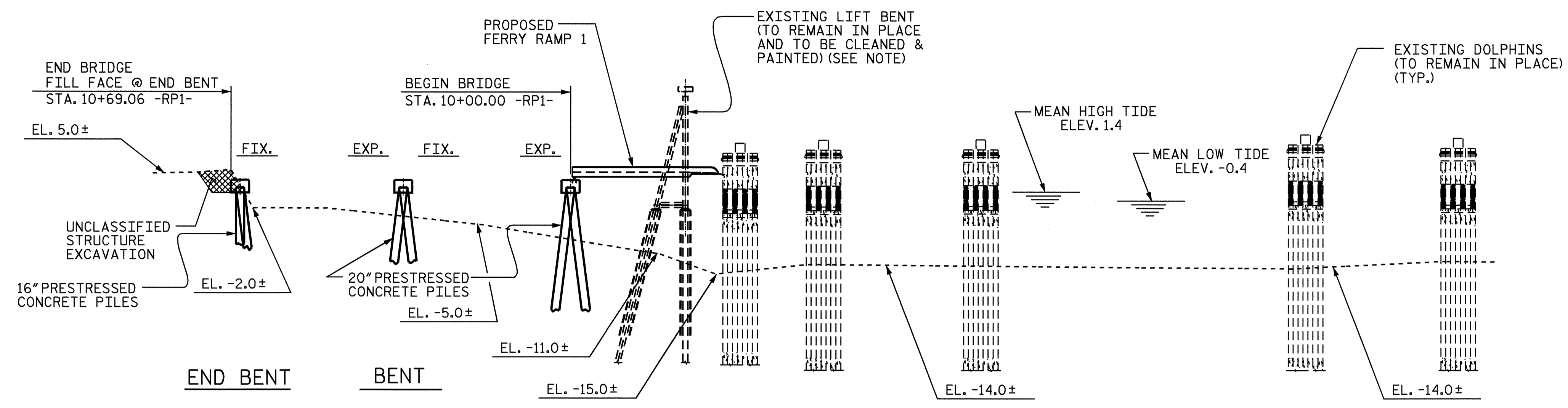
9+00

8+00

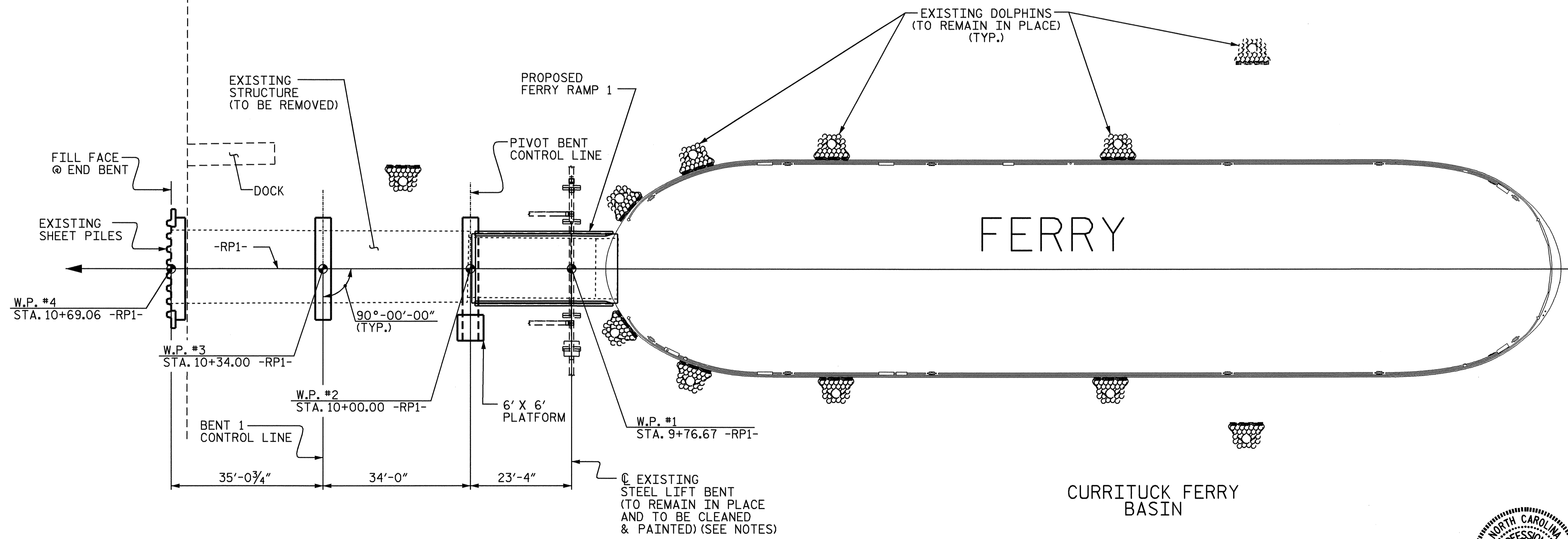
SPAN B

SPAN A

30
20
10
0
-10
-20
-30
-40



BULKHEAD

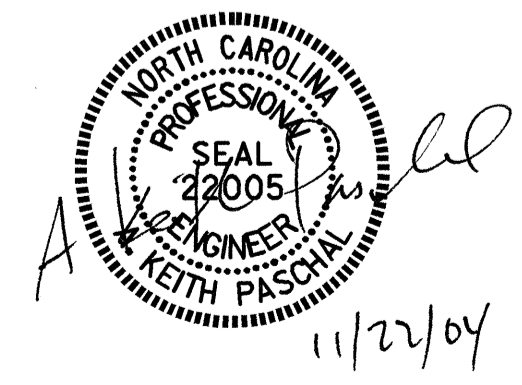


PROJECT NO. F-4700
CURRITUCK COUNTY
 STATION: 10+00.00 -RP1-

SHEET 2 OF 4

STATE OF NORTH CAROLINA
 DEPARTMENT OF TRANSPORTATION
 RALEIGH

GENERAL DRAWING
 FOR CURRITUCK
 FERRY BASIN



REVISIONS						SHEET NO.
NO.	BY:	DATE:	NO.	BY:	DATE:	S-2
1			3			TOTAL SHEETS 56
2			4			

DRAWN BY : K. MCCAULEY DATE : 11/18/03
 CHECKED BY : O. PUIGSERVER DATE : 9/27/04

06-DEC-2004 08:52
 W:\squadp\F4700\kmccauley\Str. 1\Microstation\F4700.sd_GD_01.dgn
 kpaschal

STR. #1