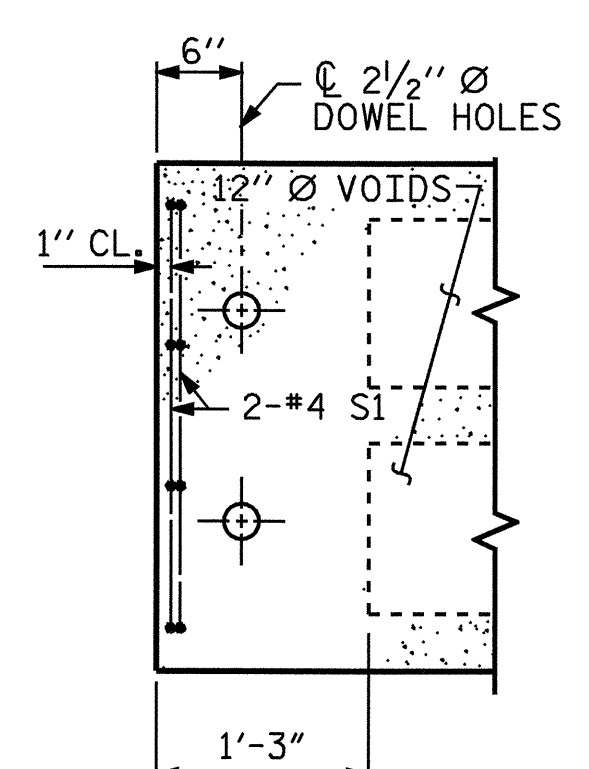


GRouted RECESS AT END OF POST TENSIONED STRAND CORED SLABS

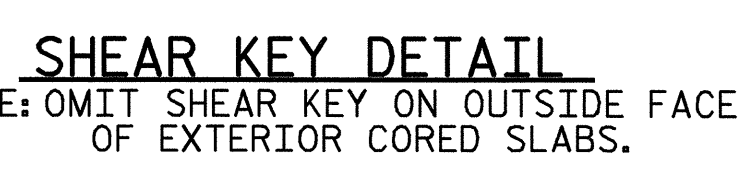
HALF SECTION @ INTERMEDIATE DIAPHRAGM

TYPICAL SECTION

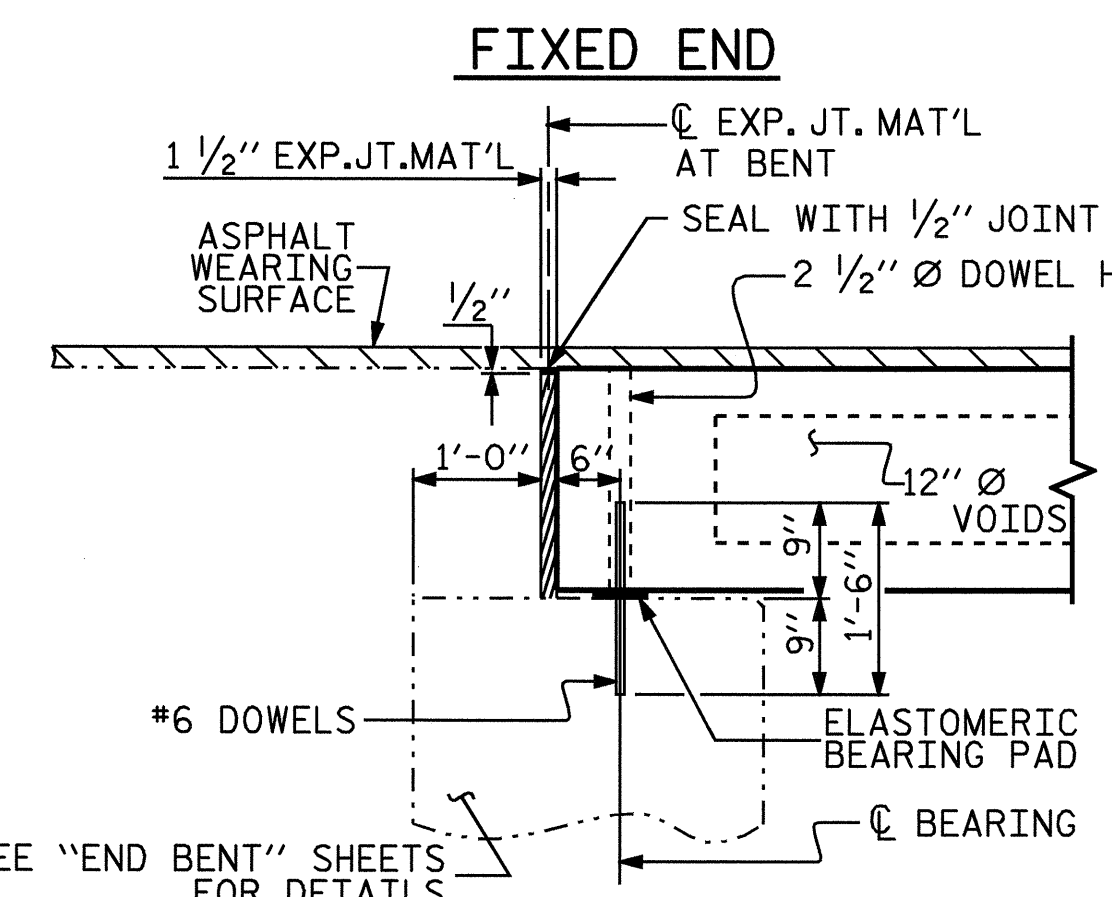
HALF SECTION @ END BENT AND BENT



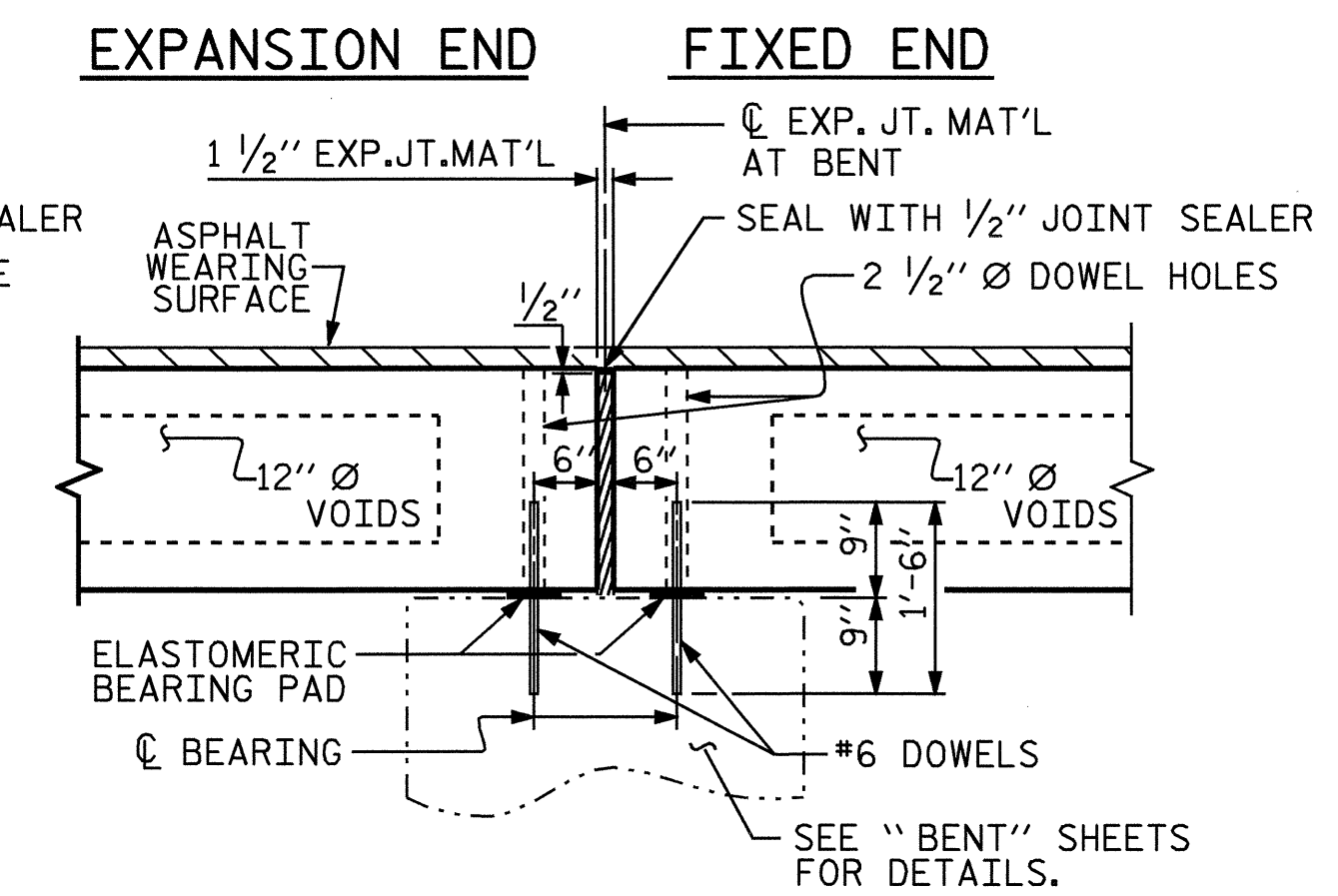
PART PLAN CORED SLAB UNIT



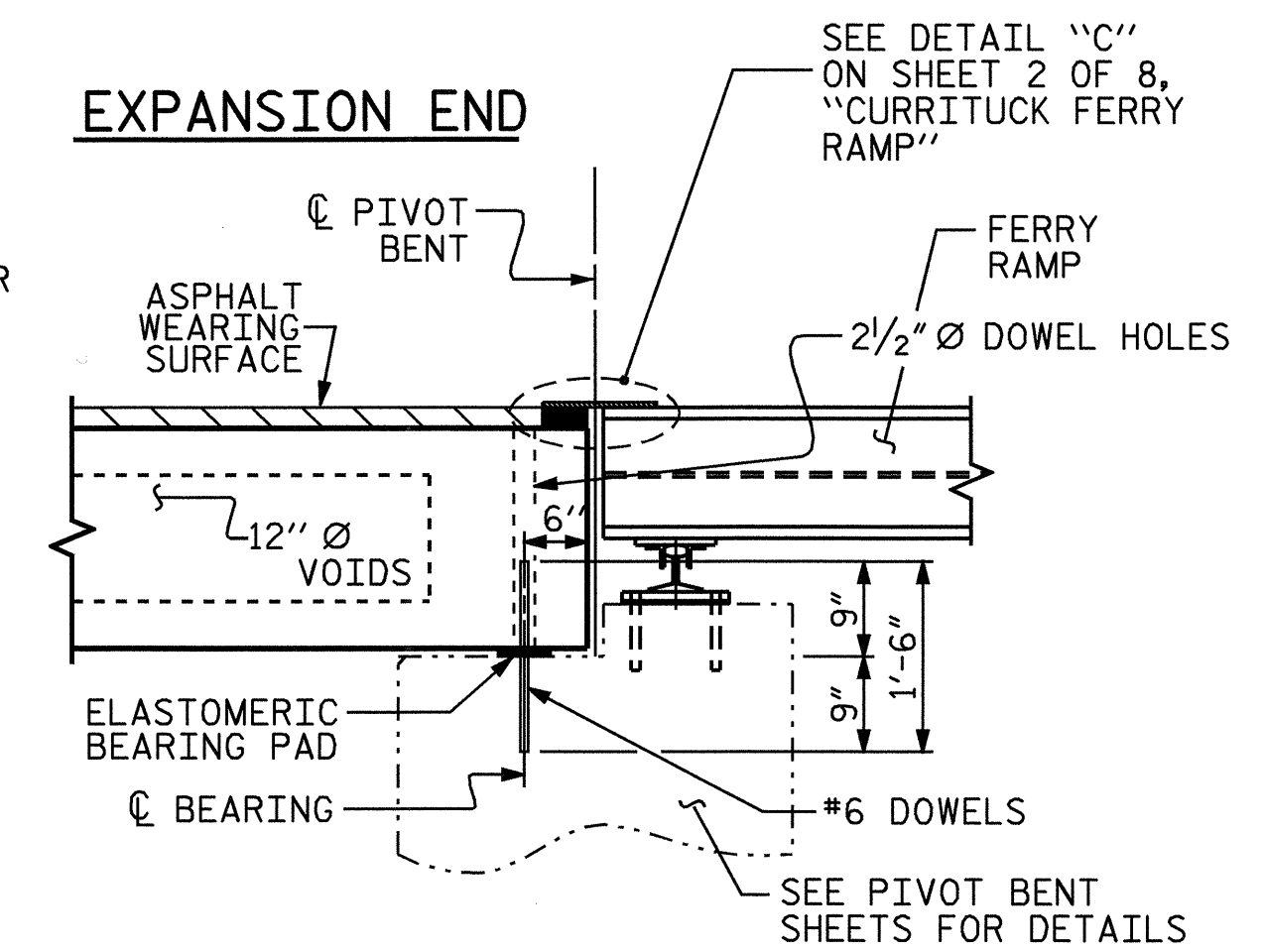
SHEAR KEY DETAIL
NOTE: OMIT SHEAR KEY ON OUTSIDE FACE OF EXTERIOR CORED SLABS.



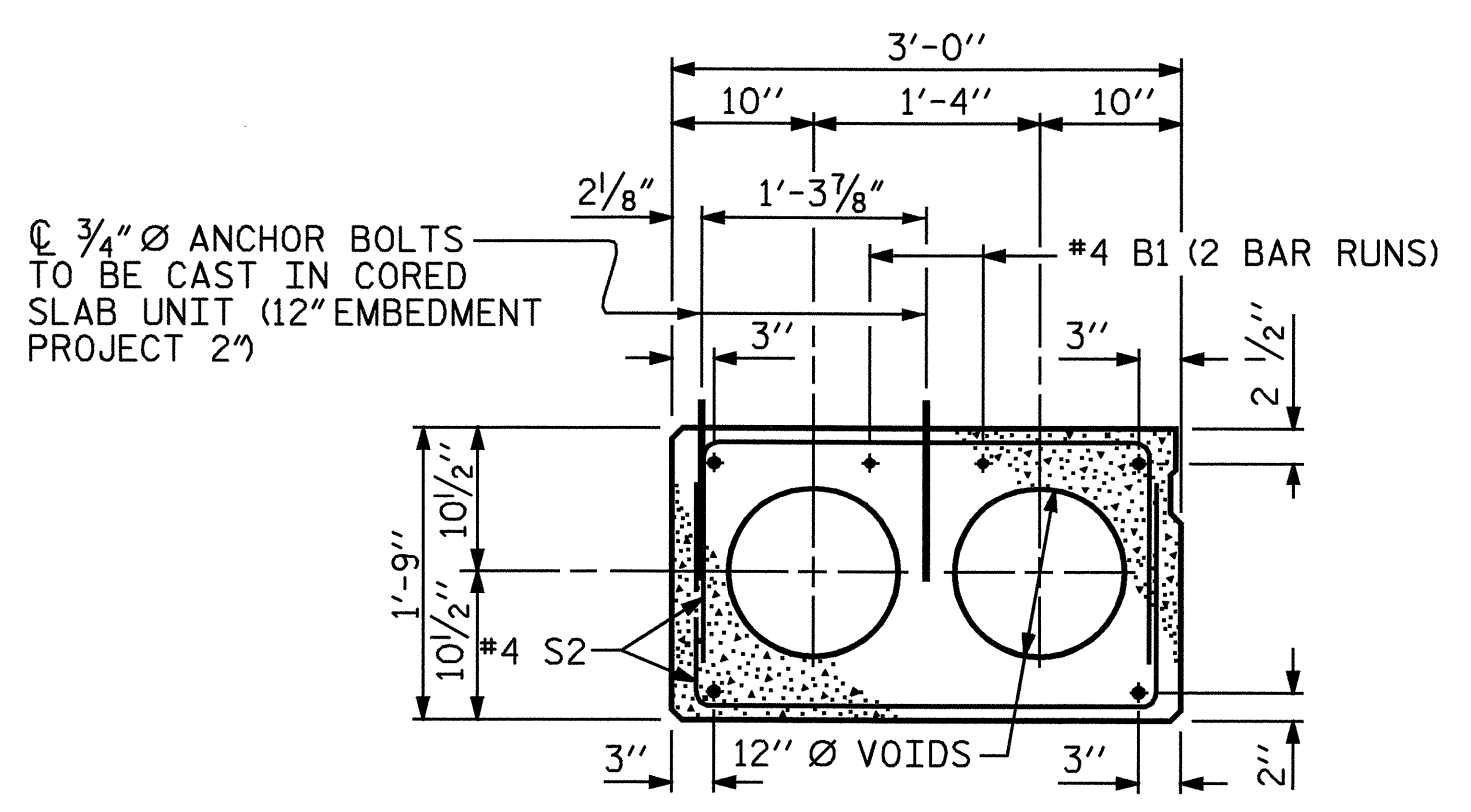
SECTION AT END BENT



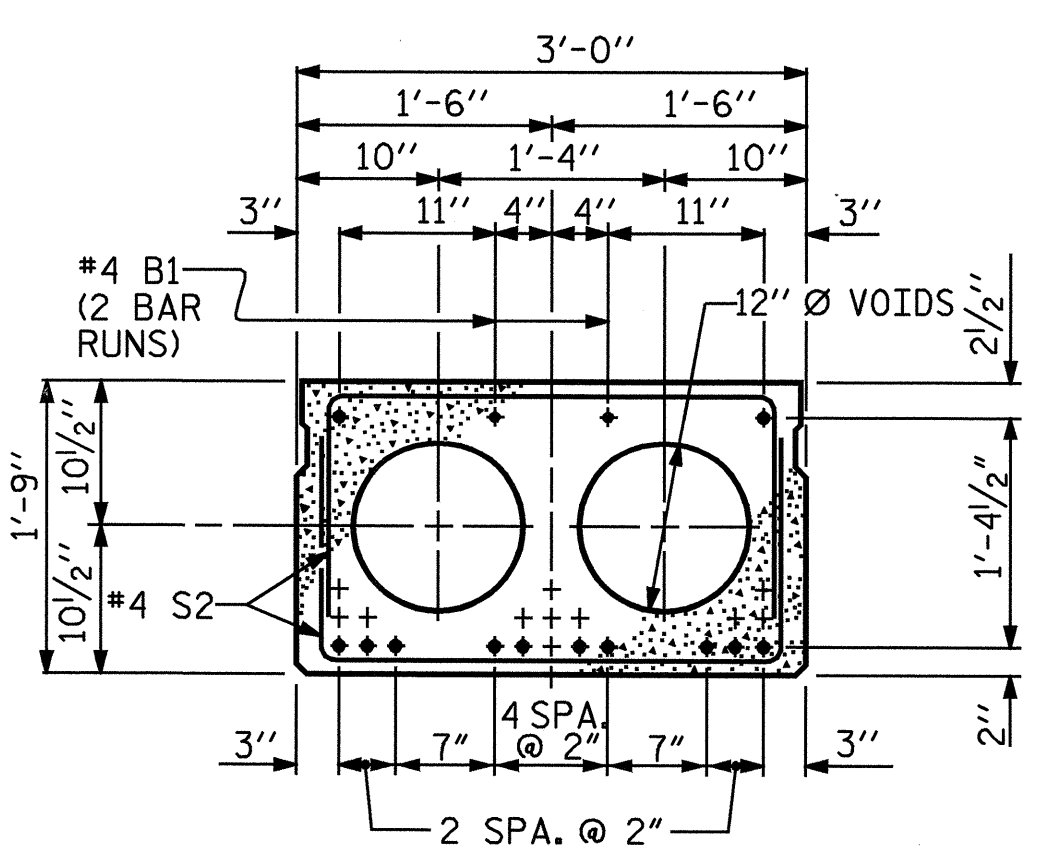
SECTION AT BENT



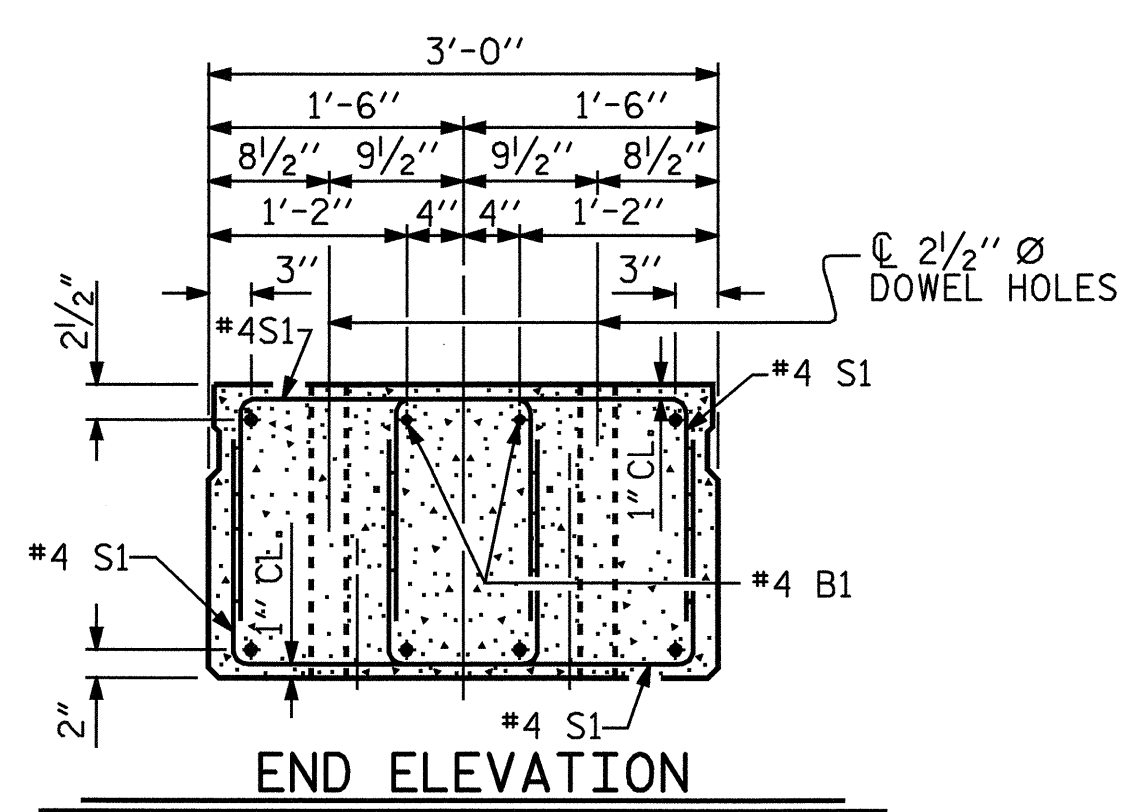
SECTION AT PIVOT BENT



EXTERIOR SLAB SECTION

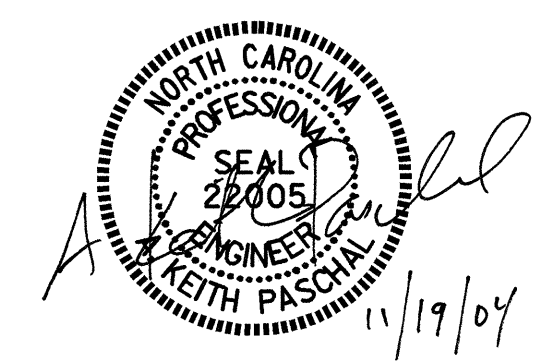


INTERIOR SLAB SECTION
1/2" Ø LOW RELAXATION STRAND LAYOUT
(12 STRANDS)



END ELEVATION

SHOWING PLACEMENT OF DOUBLE STIRRUPS AND LOCATION OF DOWEL HOLES. (STRAND LAYOUT NOT SHOWN)
INTERIOR SLAB SECTION SHOWN-EXTERIOR SLAB SECTION SIMILAR EXCEPT SHEAR KEY LOCATION.



PROJECT NO. F-4700
CURRITUCK COUNTY
STATION: 10+00.00 -RP1-

SHEET 1 OF 4

STATE OF NORTH CAROLINA
DEPARTMENT OF TRANSPORTATION
RALEIGH
SUPERSTRUCTURE
3'-0" X 1'-9"
PRESTRESSED CONCRETE
CORED SLAB UNIT
CURRITUCK FERRY BASIN
OCTOBER 1981

REVISIONS						SHEET NO.
NO.	BY:	DATE:	NO.	BY:	DATE:	S-5
1			3			TOTAL SHEETS
2			4			56

ASSEMBLED BY : K. McCAULEY DATE : 8/30/04
CHECKED BY : O. PUIGCERVER DATE : 9/24/04
DRAWN BY : WJH 4/89 REV. 8/16/99 RWW/LES
CHECKED BY : FCJ 5/89 REV. 10/17/00 RWW/LES
REV. 7/10/01 RWW/LES