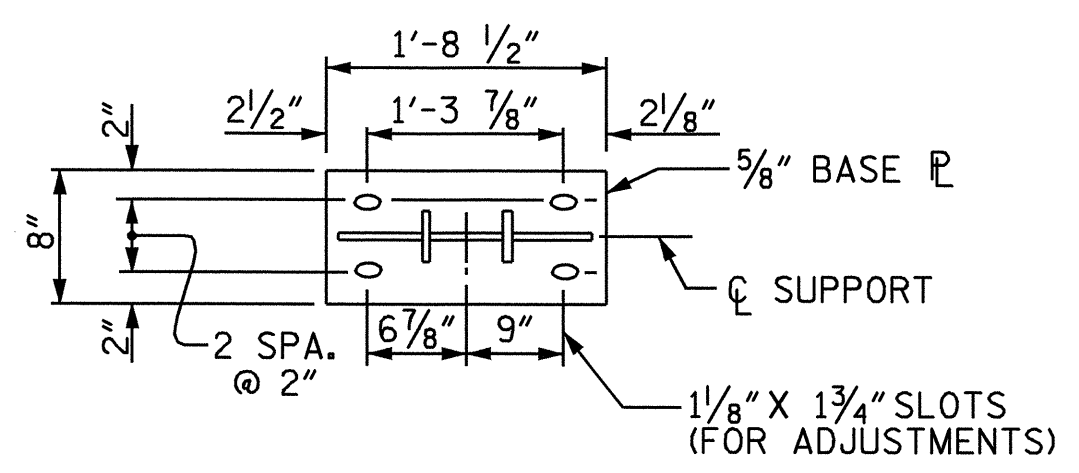


ELEVATION



PLAN

NOTES FOR GUARDRAIL POST ANCHORED TO STRUCTURE:  
 POST AND POST BASE PLATES SHALL CONFORM TO THE REQUIREMENTS OF A.S.T.M. M270 GRADE 36 AND SHALL BE GALVANIZED AFTER FABRICATION TO CONFORM TO THE REQUIREMENTS OF A.S.T.M. A-123.

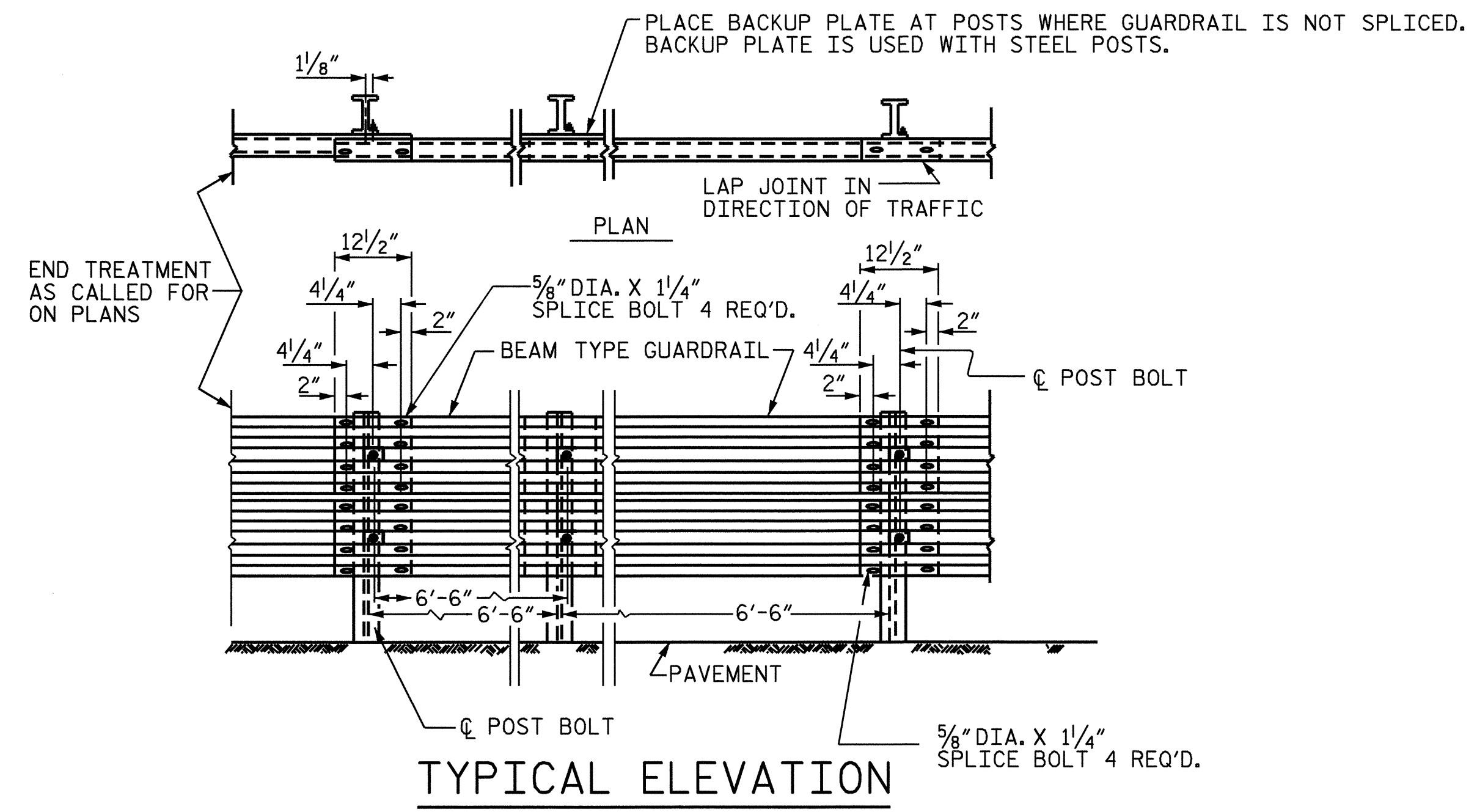
THE CONTRACTOR ATTENTION IS CALLED TO THE FACT THAT THE HOLES IN W6 STEEL POST MAY NEED TO BE ADJUSTED TO KEEP THE 3'-6" DIMENSION CONSTANT DUE TO THE CAMBER IN THE CORED SLAB. FIELD DRILLED HOLES IN THE W6 POST MAY BE NECESSARY.

FOR NEW STRUCTURES:  
 THE POST SHALL BE ATTACHED TO ANCHOR BOLTS THAT ARE CAST IN THE STRUCTURE AT THE TIME THE CORED SLAB UNITS ARE CONSTRUCTED. THE COST OF THE ANCHOR BOLTS SHALL BE INCLUDED IN THE CONTRACT UNIT PRICE BID FOR PRESTRESSED CORED SLAB UNITS.

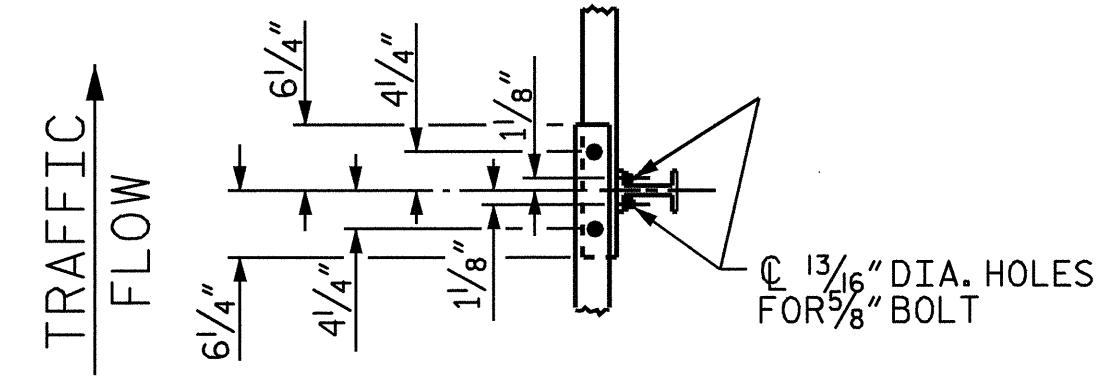
**ANCHORAGE FOR GUARDRAIL POST ON CORED SLAB BRIDGE**

NOTE: THE CONTRACTOR'S ATTENTION IS DRAWN TO THE FACT THAT THE BOLT SPACING IN THE BASE PLATE IS NOT SYMMETRICAL.

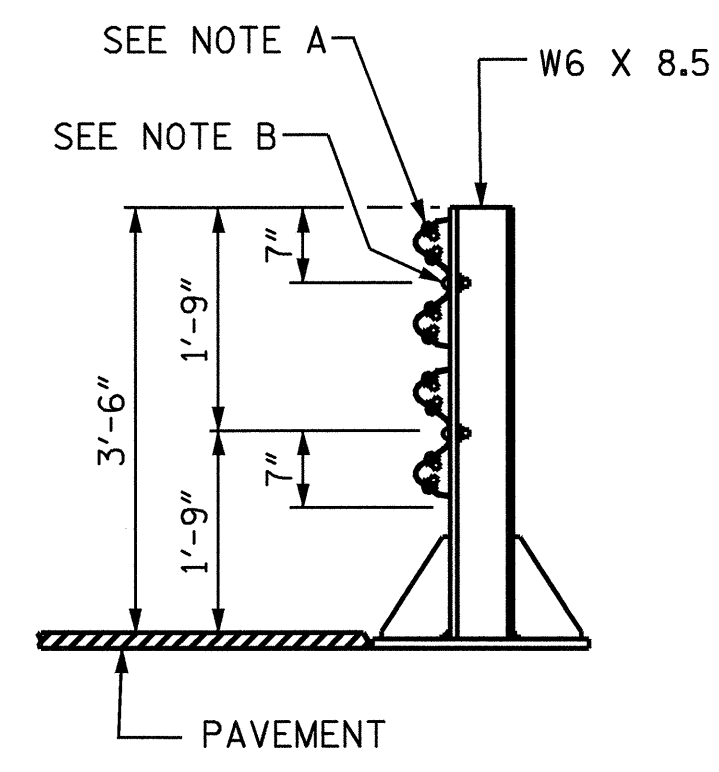
STEEL BEAM GUARDRAIL QUANTITIES	
	TOTAL LENGTH (L.F.)
RAMP 1	124.1



TYPICAL ELEVATION



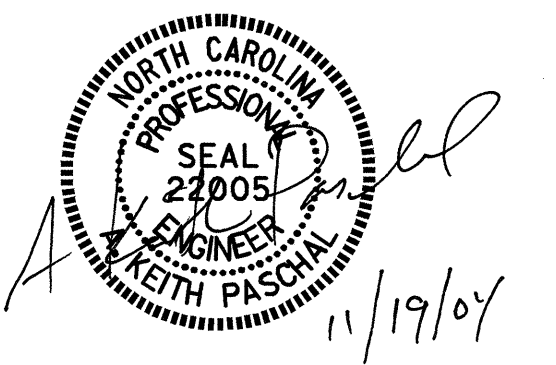
PLAN OF W6 STEEL POST



ELEVATION DOUBLE FACED G.R.

**TYPICAL GUARDRAIL AND GUARDRAIL POST ALTERNATIVES**

NOTE: A - 5/8" DIAMETER x 1/4" STD. BUTTON HEAD SPLICE BOLT. EIGHT (8) REQUIRED PER JOINT.  
 B - 5/8" DIAMETER x 2" STD. BUTTON HEAD POST BOLT.  
 D - FIELD PUNCHING OF HOLES IN GUARDRAIL SHALL BE AS DIRECTED BY THE ENGINEER.



PROJECT NO. F-4700  
CURRITUCK COUNTY  
 STATION: 10+00.00 -RP1-

SHEET 1 OF 2

STATE OF NORTH CAROLINA  
 DEPARTMENT OF TRANSPORTATION  
 RALEIGH  
 SUPERSTRUCTURE  
 GUARDRAIL DETAILS  
 (RAMP 1)  
 CURRITUCK FERRY DOCK

REVISIONS						SHEET NO.
NO.	BY:	DATE:	NO.	BY:	DATE:	S-9
1			3			TOTAL SHEETS 56
2			4			

DRAWN BY : K. McCAULEY DATE : 9/20/04  
 CHECKED BY : O. PUIGCERVER DATE : 9/24/04