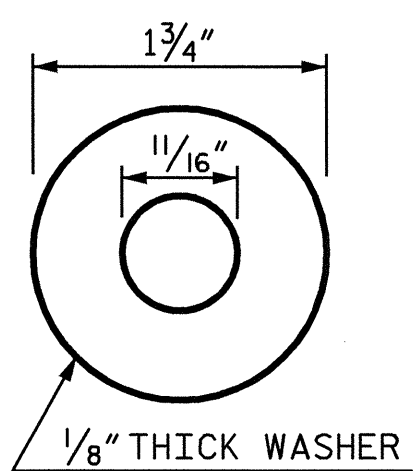


FRONT - SIDE - BACK

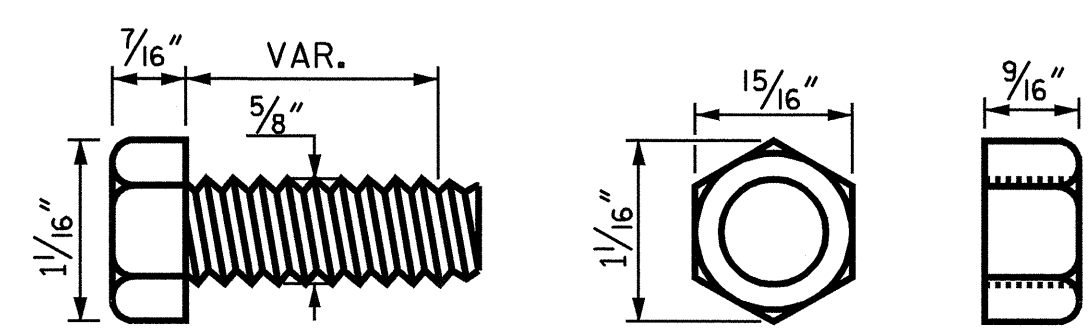
DETAIL OF "W" STEEL POST

SYSTEM PARTS
(STEEL POSTS)

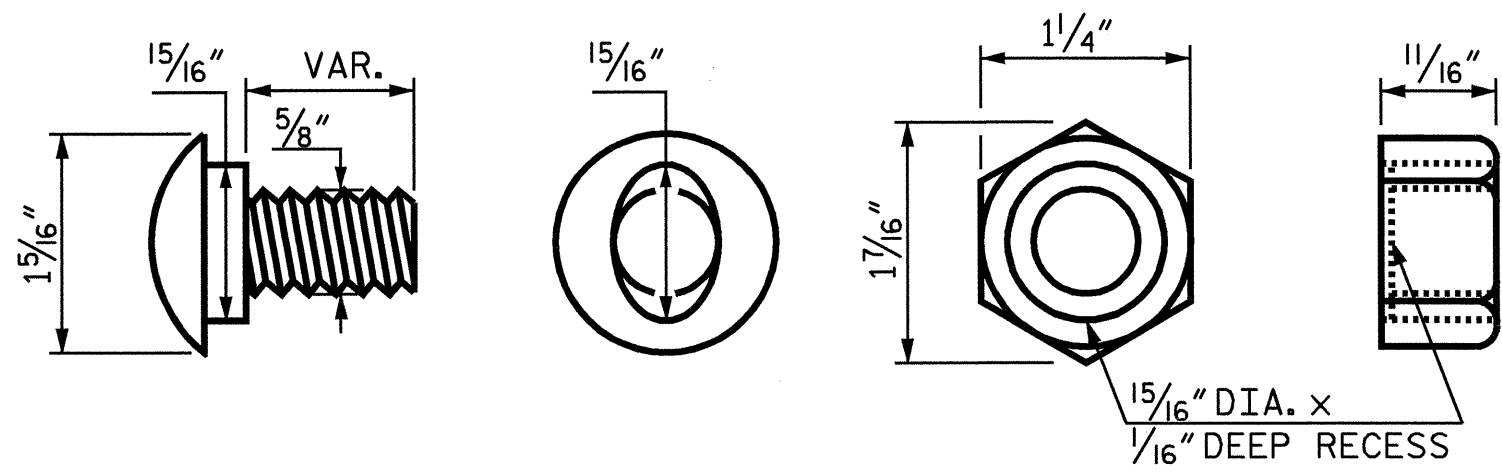
NOTE:
THE PAYMENT FOR THE POST SHALL BE INCLUDED
IN THE PAYMENT FOR STEEL BEAM GUARDRAIL.



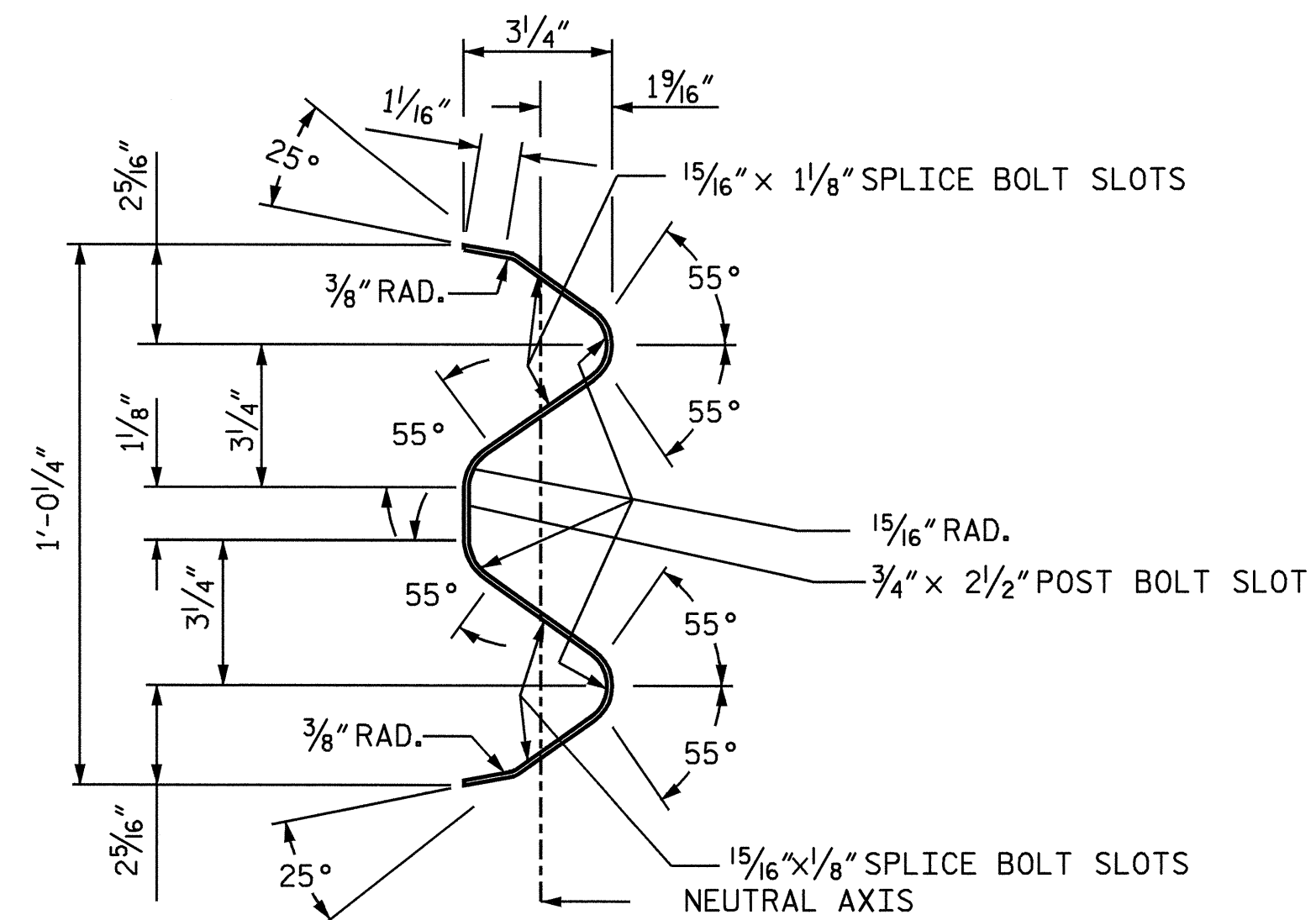
DETAIL OF STANDARD WASHER



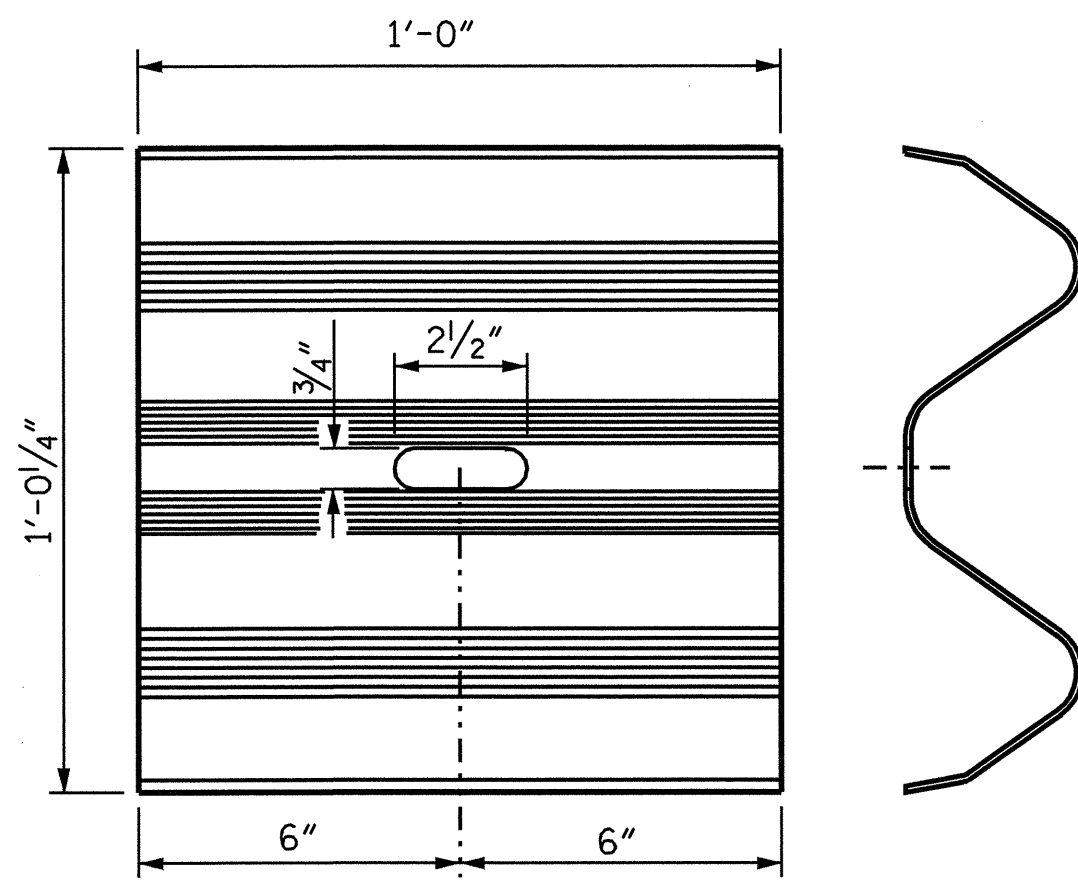
DETAIL OF STANDARD HEX BOLT AND NUT



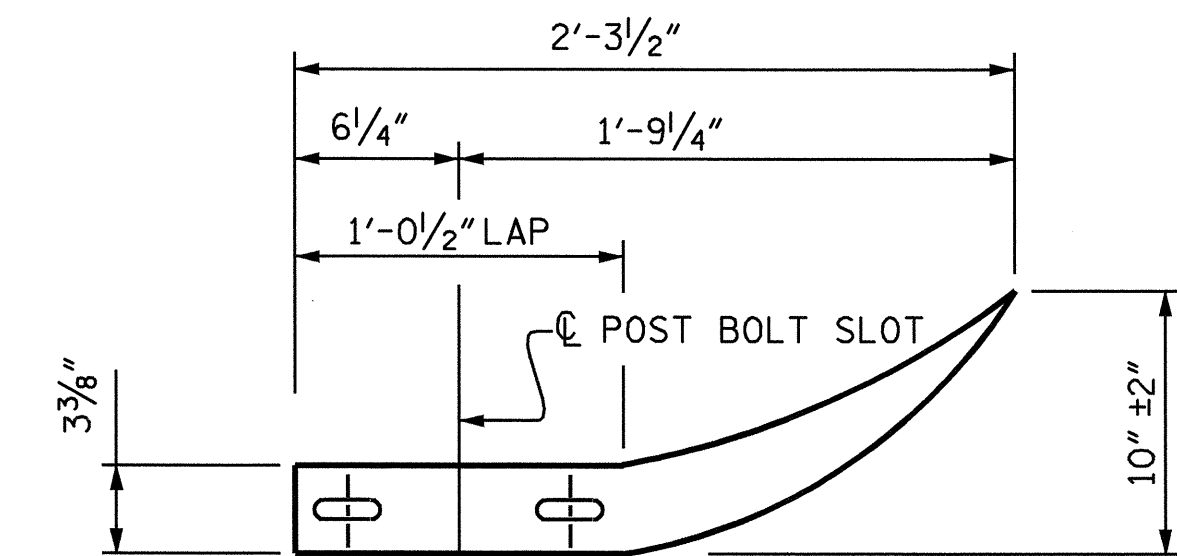
DETAIL OF BUTTON HEAD BOLT AND NUT



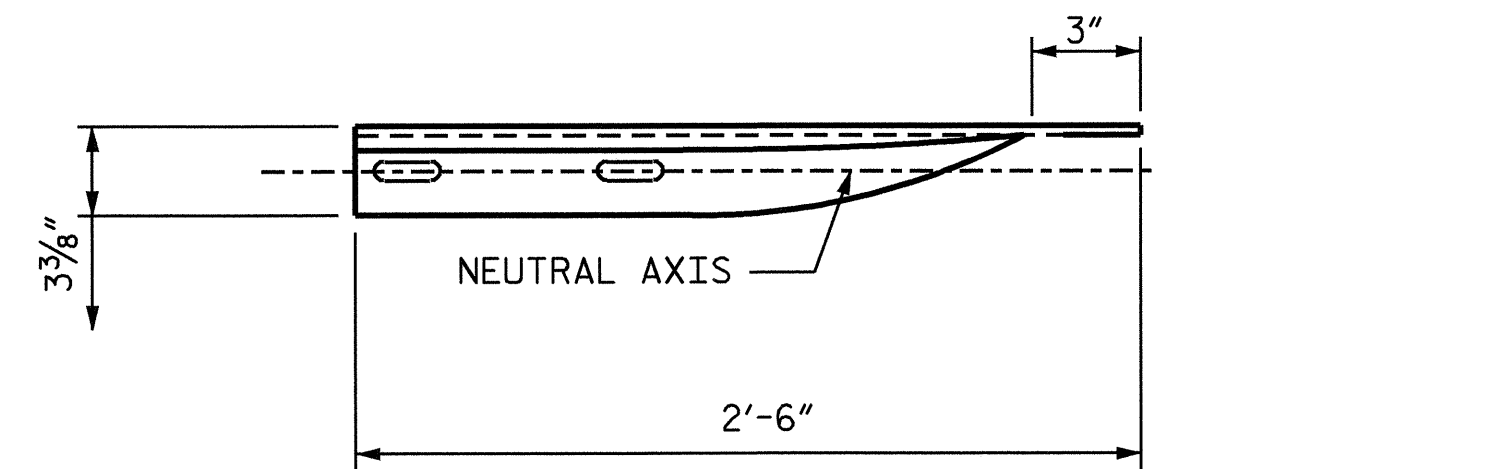
SECTION THRU RAIL ELEMENT



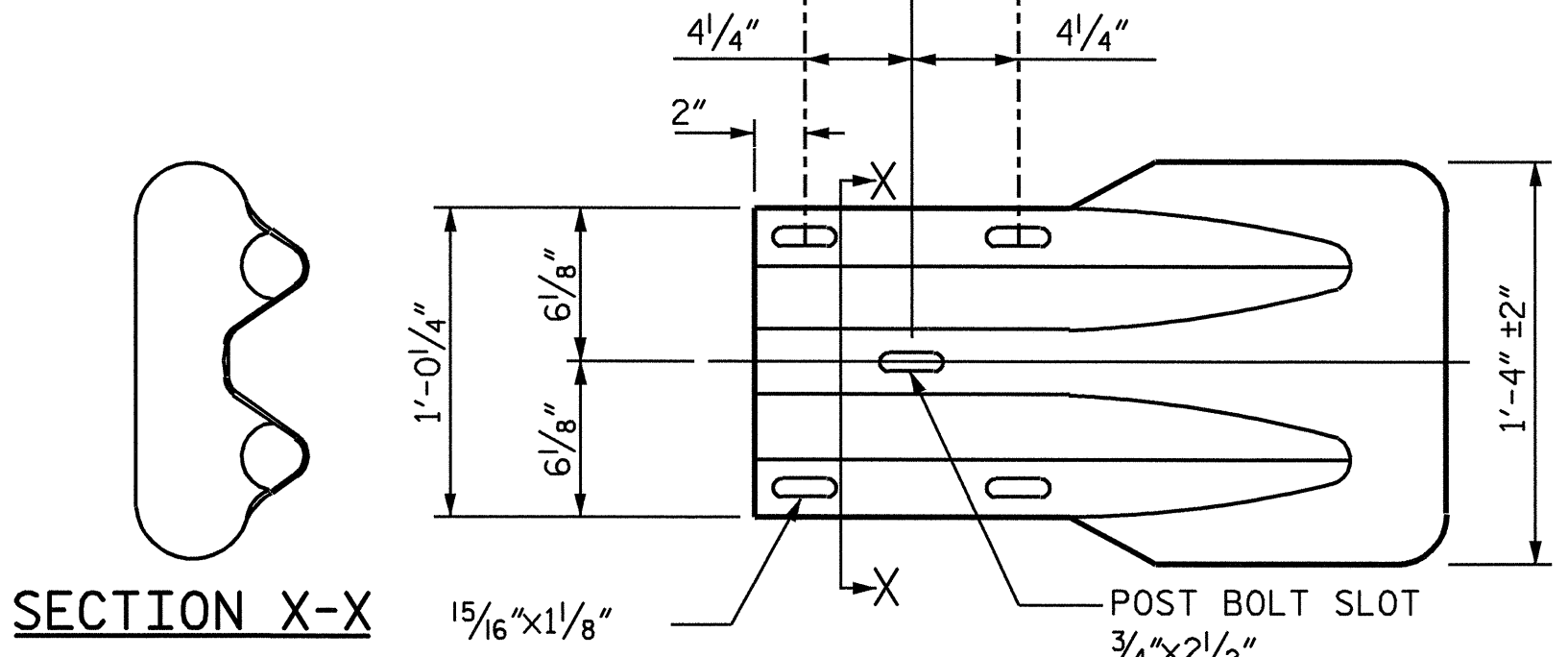
BACKUP PLATE



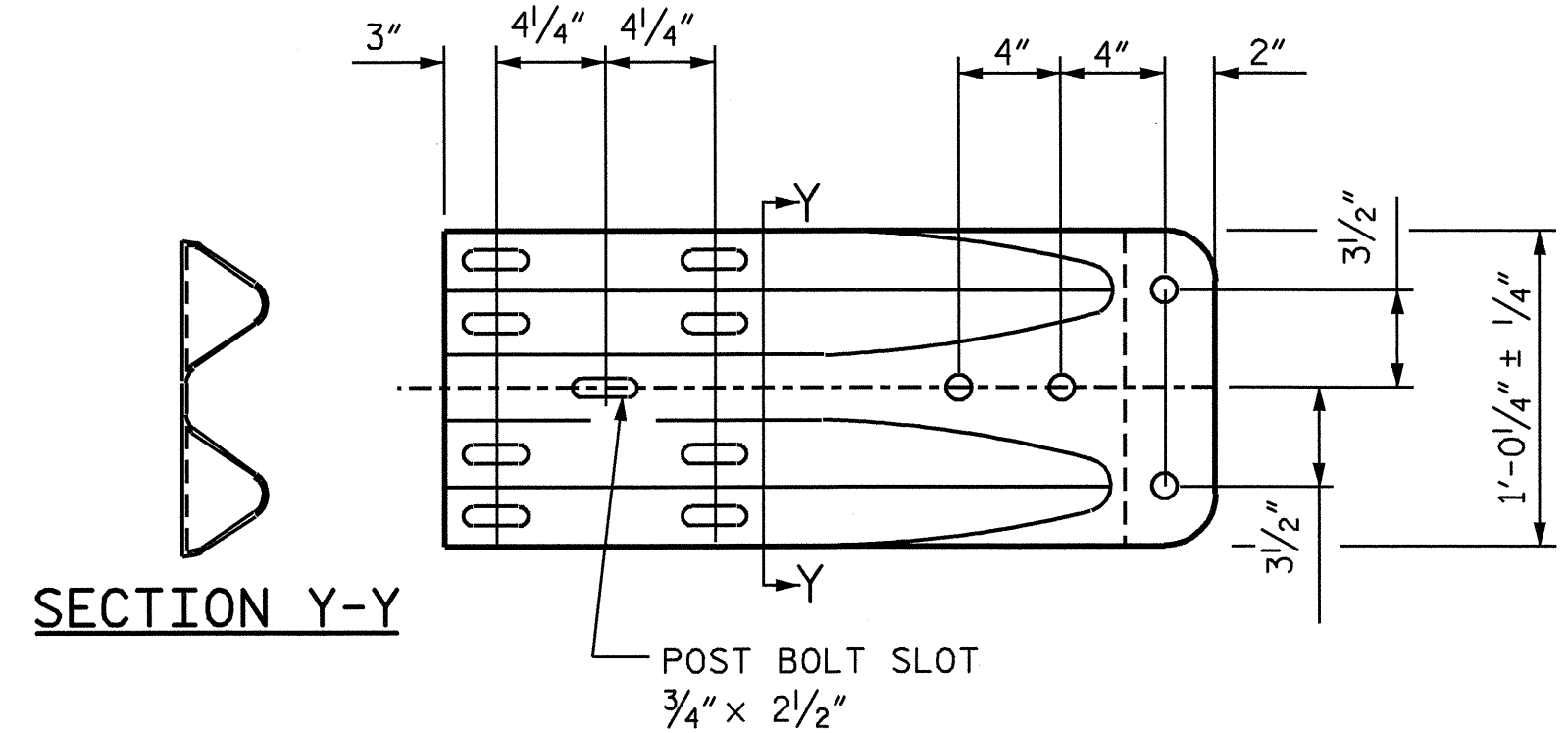
TERMINAL END SECTION
4 REQ'D @ END BENT



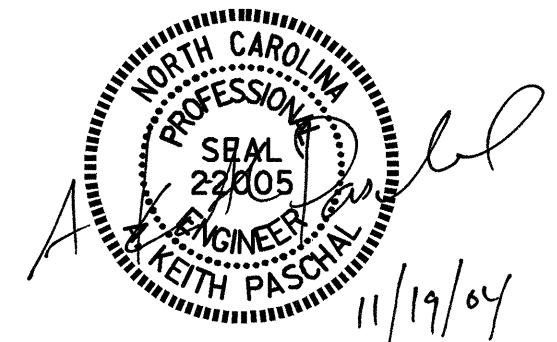
TYPICAL END SHOE
4 REQ'D @ PIVOT BENT



SECTION X-X



SECTION Y-Y



PROJECT NO. F-4700
CURRITUCK COUNTY
STATION: 10+00.00 -RP1-

SHEET 2 OF 2
STATE OF NORTH CAROLINA
DEPARTMENT OF TRANSPORTATION
RALEIGH
SUPERSTRUCTURE
GUARDRAIL DETAILS
(RAMP 1)
CURRITUCK FERRY DOCK

DRAWN BY: K. McCAULEY DATE: 9/20/04
CHECKED BY: O. PUIGCERVER DATE: 9/24/04

16-NOV-2004 11:18
W:\sq\adp\F4700\kmccauley\Str.1\Microstation\F4700_sd_GR_01.dgn
kmccauley

REVISIONS						SHEET NO.	
NO.	BY:	DATE:	NO.	BY:	DATE:	S-10	
1			3			TOTAL SHEETS	56
2			4				