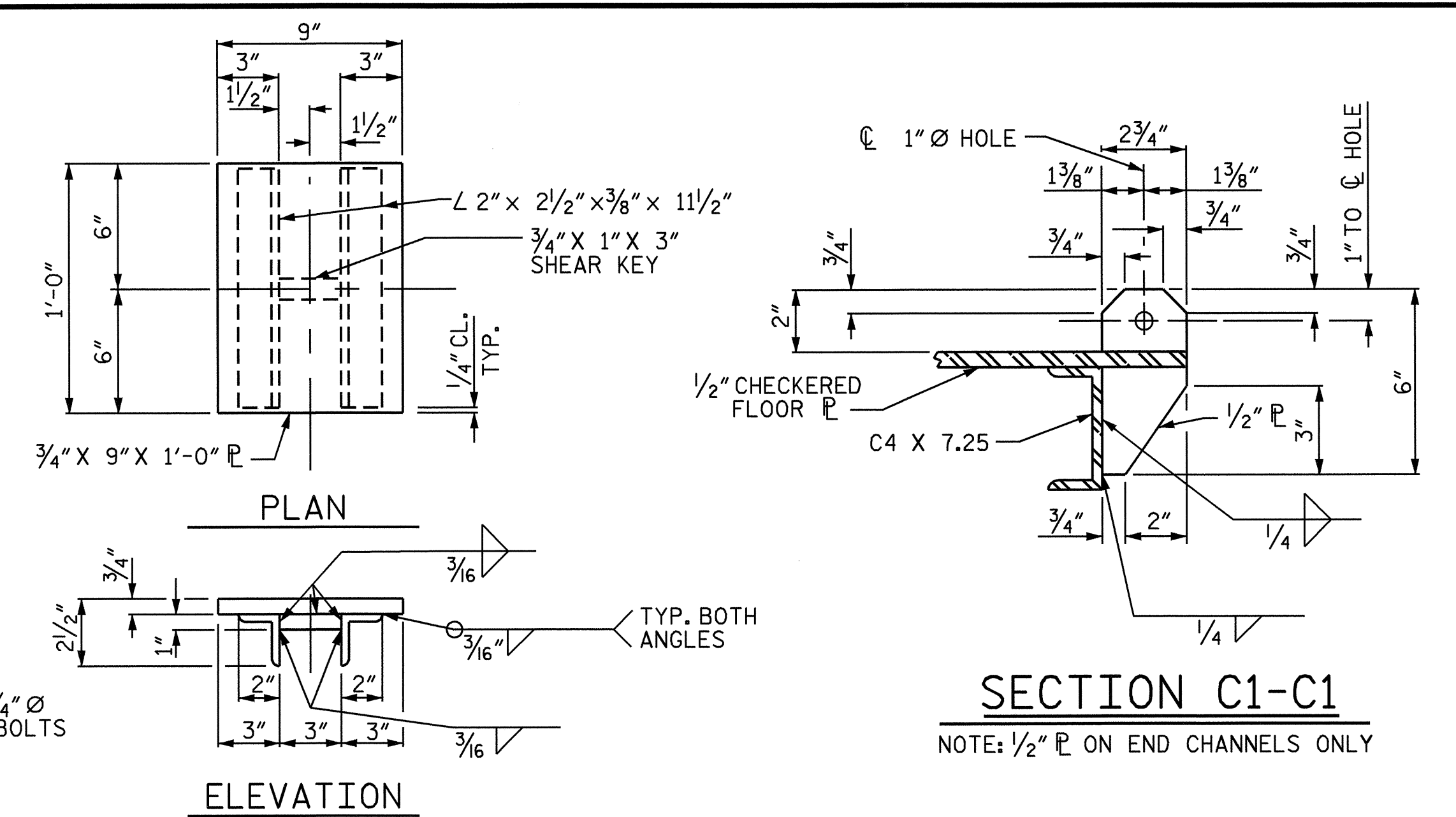
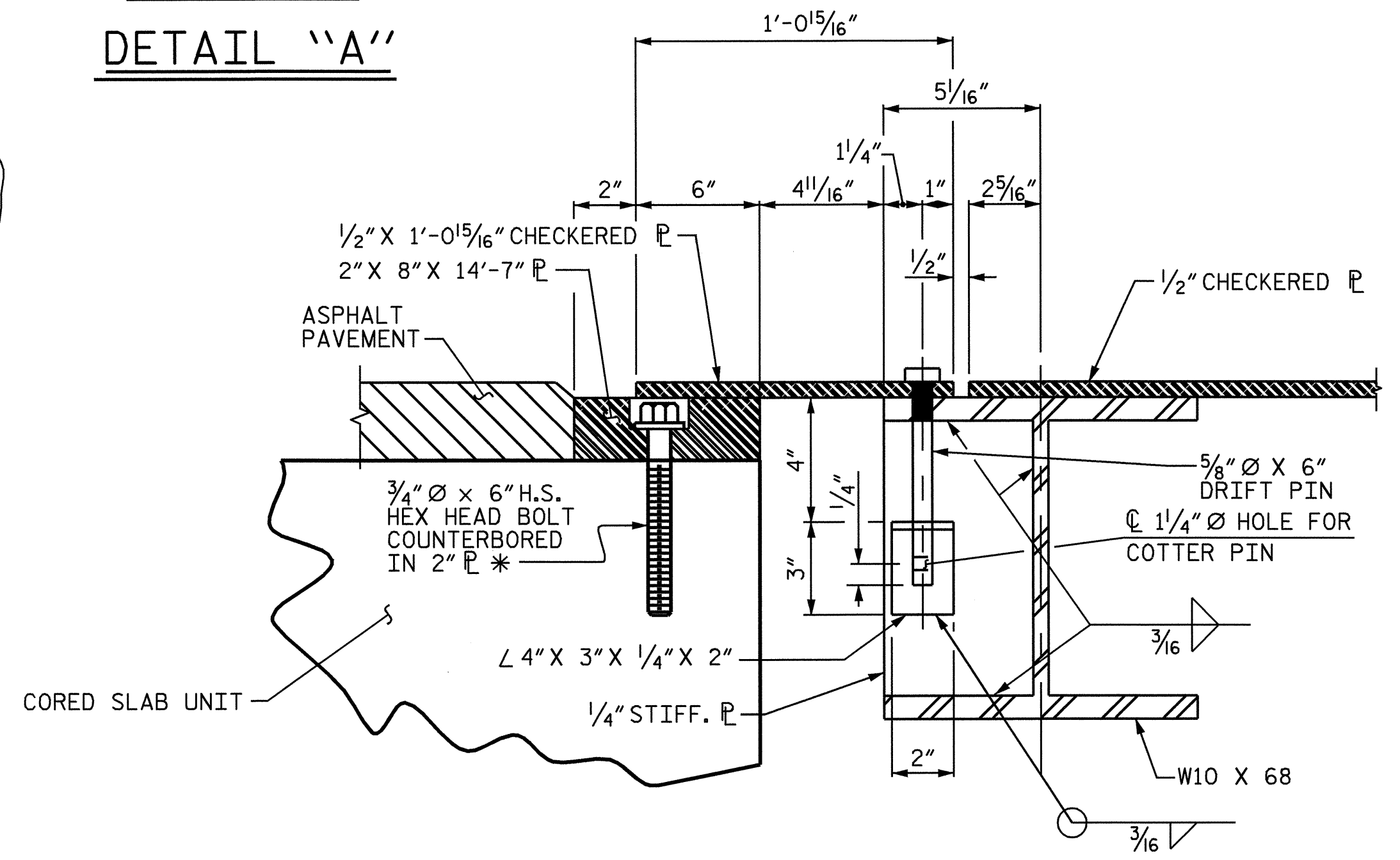


SECTION A-A

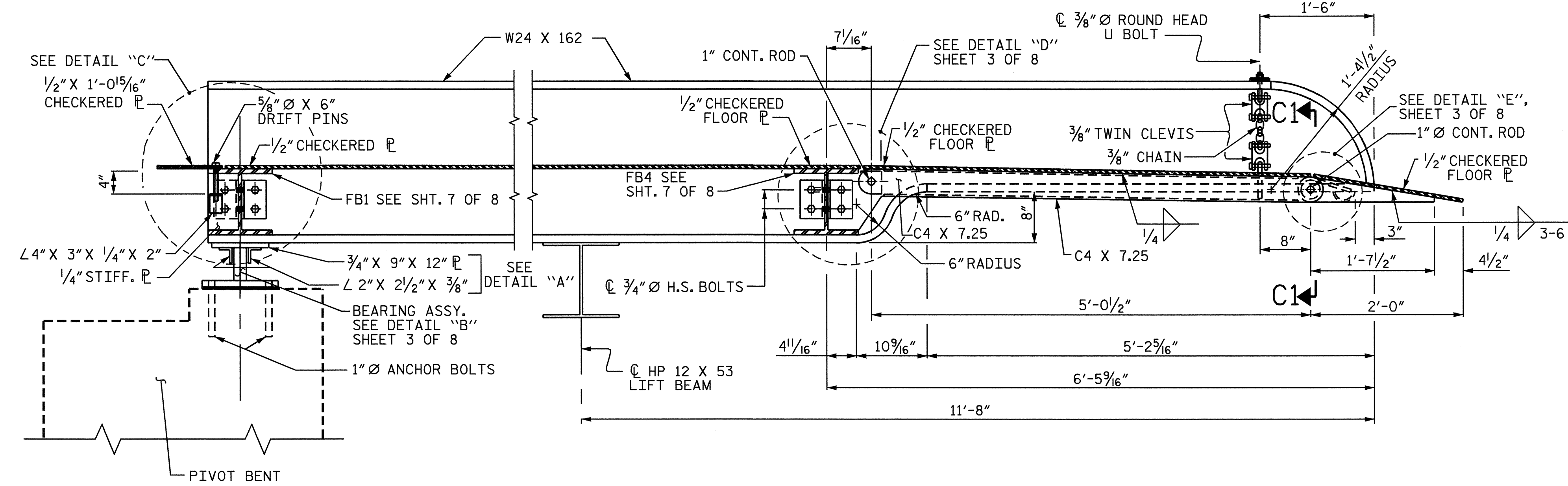


DETAIL "A"



DETAIL "C"

* FOR ADHESIVELY ANCHORED HIGH STRENGTH HEX HEAD BOLTS, SEE SPECIAL PROVISIONS FOR "ADHESIVELY ANCHORED BOLTS AND DOWELS" NO PULL OUT TEST WILL BE REQUIRED.



VIEW B-B

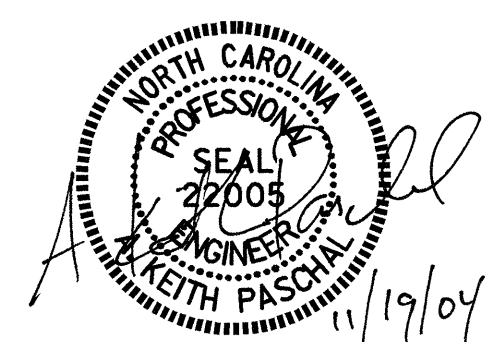
VIEW C-C

PROJECT NO. F-4700
CURRITUCK COUNTY
 STATION: 10+00.00 -RP1-

SHEET 2 OF 8

STATE OF NORTH CAROLINA
 DEPARTMENT OF TRANSPORTATION
 RALEIGH

CURRITUCK
 FERRY RAMP



| REVISIONS | | | | | | SHEET NO. | |
|-----------|-----|-------|-----|-----|-------|--------------|--|
| NO. | BY: | DATE: | NO. | BY: | DATE: | S-12 | |
| 1 | | | 3 | | | TOTAL SHEETS | |
| 2 | | | 4 | | | 56 | |

DRAWN BY: K. MCCAULEY DATE: 9/13/04
 CHECKED BY: O. PUIGSERVER DATE: 9/24/04